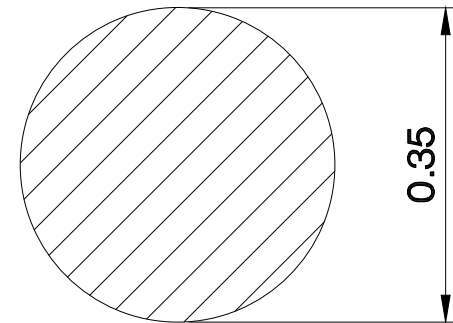
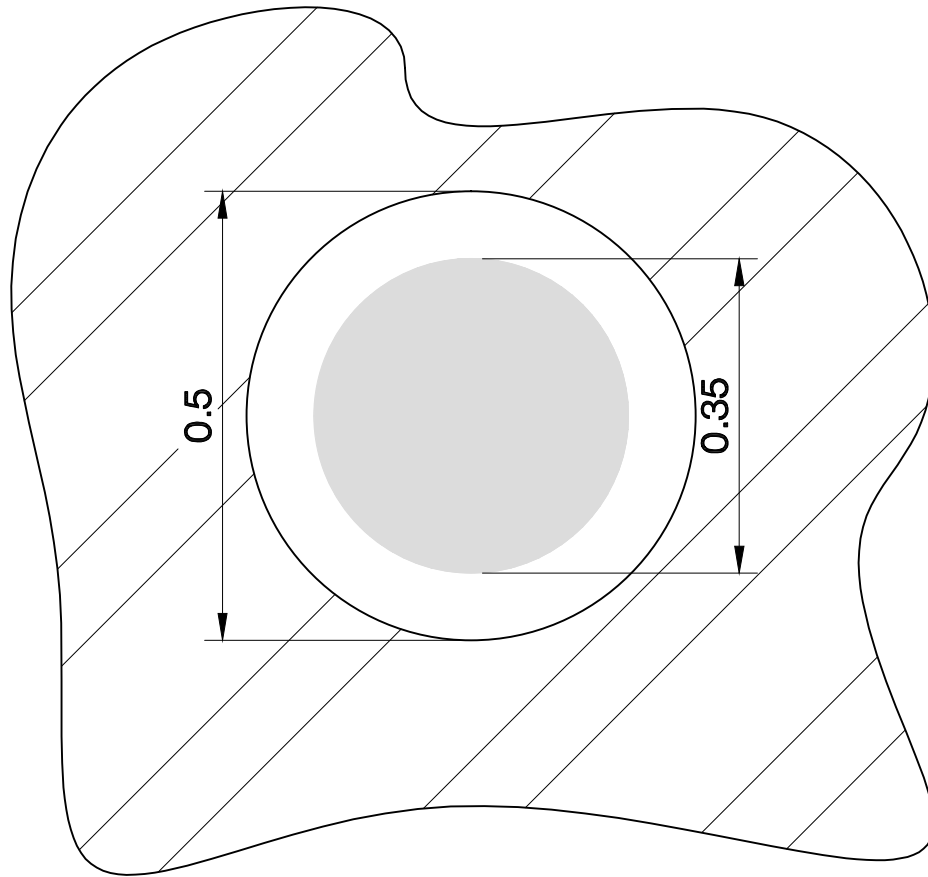


xyBGA, ball diameter 0.5mm, ball pitch 0.8mm: Boardpads & Apertures



 copper

 solder mask

 stencil apertures