

Product Brief

Infineon® Eco Block | Prime Block

Thyristor/diode modules in solder bond technology

1600 V/20 mm, 1600-2200 V/34mm, 50mm
(TT, TD and DD topologies)

With our 20 mm, 34 mm and 50 mm bipolar modules in solder bond technology, we have developed a cost optimized alternative to our pressure contact module technology even in demanding applications. Solder bond modules are ideal for applications where the highest robustness of pressure contact technology is not necessarily a must. Typical applications are drives, power supplies and soft starters.

The 50 mm Prime Block modules cover now current ratings of 390 A and become best in class. We also offer the 50 mm modules TT/TD320N16SOF with pre-applied silicone-free Thermal Interface Material (TIM). The optimized pattern of this reversible phase change material results in a stable thermal performance over lifetime which increases reliability and lifetime of your system.



Customer benefits

- > Increased power density
- > Predictably high performance and lifetime due to 100% x-ray monitoring
- > Solid base plate for fast & easy mounting

Key features

- > Optimized thermal design
- > Best in class current rating in 50 mm foot print
- > 50 mm foot print available with TIM

Applications

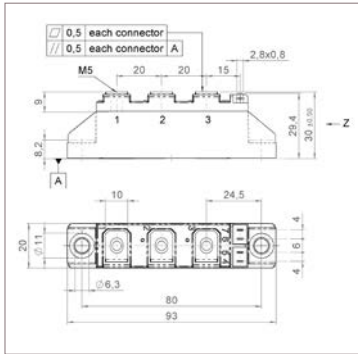
- > Drives
- > Soft starters
- > Power supplies
- > Welding
- > Static switches
- > Battery chargers

Infineon® Eco Block | Prime Block

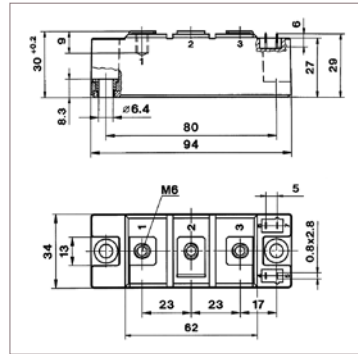
Thyristor/diode modules in solder bond technology

1600 V/20 mm, 1600-2200 V/34mm, 50mm

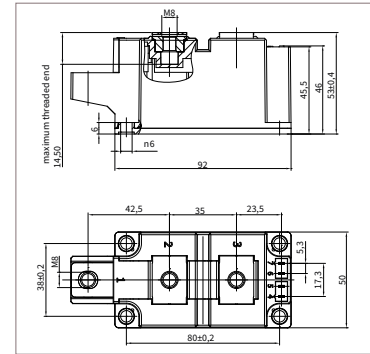
TT/TD and DD
outline dimensions 20 mm



TT/TD and DD
outline dimensions 34 mm



TT/TD and DD
outline dimensions 50 mm



Sales Information

Sales product	Housing	V_{DRM} / V_{RRM}	I_{TAVM}	I_{TSM}
Eco Line – Thyristor modules				
TT60N16SOF	20 mm	1600 V	55 A	1200 A
TT60N16SOFB01	20 mm	1600 V	55 A	1200 A
TT120N16SOF	20 mm	1600 V	120 A	2250 A
TT120N16SOFB01	20 mm	1600 V	120 A	2250 A
TT140N16SOF	34 mm	1600 V	140 A	4000 A
TT175N16SOF	34 mm	1600 V	175 A	5400 A
TT190N18SOF	34 mm	1800 V	190 A	4500 A
TT190N16SOF	34 mm	1600 V	190 A	4500 A
TT240N18SOF	34 mm	1600 V	240 A	5200 A
TT240N16SOF	34 mm	1600 V	240 A	5200 A
TT280N18SOF	50 mm	1800 V	280 A	7800 A
TT280N16SOF	50 mm	1600 V	280 A	7800 A
TT320N18SOF	50 mm	1800 V	320 A	8200 A
TT320N16SOF	50 mm	1600 V	320 A	8200 A
TT320N16SOF TIM	50 mm	1600 V	320 A	8200 A

Prime Line – Thyristor / diode modules & Rectifier diode modules				
TT390N18SOF	50 mm	1600 V	390 A	9500 A
TT390N16SOF	50 mm	1600 V	390 A	9500 A
TD390N18SOF	50 mm	1600 V	390 A	9500 A
TD390N16SOF	50 mm	1600 V	390 A	9500 A
DD390N22S	50 mm	2200 V	390 A	10000 A
DD390N16S	50 mm	1600 V	390 A	10000 A

Sales product	Housing	V_{DRM} / V_{RRM}	I_{TAVM}	I_{TSM}
Eco Line – Thyristor / diode modules				
TD60N16SOF	20 mm	1600 V	55 A	1200 A
TD120N16SOF	20 mm	1600 V	120 A	2250 A
TD140N16SOF	34 mm	1600 V	140 A	4000 A
TD175N16SOF	34 mm	1600 V	175 A	5400 A
TD190N18SOF	34 mm	1800 V	190 A	4500 A
TD190N16SOF	34 mm	1600 V	190 A	4500 A
TD240N18SOF	34 mm	1600 V	240 A	5200 A
TD240N16SOF	34 mm	1600 V	240 A	5200 A
TD280N18SOF	50 mm	1800 V	280 A	7800 A
TD280N16SOF	50 mm	1600 V	280 A	7800 A
TD320N18SOF	50 mm	1800 V	320 A	8200 A
TD320N16SOF	50 mm	1600 V	320 A	8200 A
TD320N16SOF TIM	50 mm	1600 V	320 A	8200 A

Eco Line – Rectifier diode modules				
DD100N16S	20 mm	1600 V	134 A	2000 A
DD180N22S	34 mm	2200 V	192 A	5000 A
DD180N16S	34 mm	1600 V	192 A	5150 A
DD220N22S	34 mm	2200 V	220 A	5750 A
DD220N16S	34 mm	1600 V	220 A	5750 A
DD340N22S	50 mm	2200 V	330 A	8500 A
DD340N16S	50 mm	1600 V	330 A	8500 A

Published by
Infineon Technologies Bipolar GmbH & Co. KG
Max-Planck-Str. 5
59581 Warstein
Tel. +49 (0) 2902 98 99-0
Fax +49 (0) 2902 98 99-2482
HRB 8147

© 2018 Infineon Technologies Bipolar GmbH & Co. KG.
All Rights Reserved.

Visit us:
www.ifbip.com | www.ifbip-shop.com

Order Number: B157-I0712-V1-7600-EU-EC
Date: 09 / 2018

Please note!

THIS DOCUMENT IS FOR INFORMATION PURPOSES ONLY AND ANY INFORMATION GIVEN HEREIN SHALL IN NO EVENT BE REGARDED AS A WARRANTY, GUARANTEE OR DESCRIPTION OF ANY FUNCTIONALITY, CONDITIONS AND/OR QUALITY OF OUR PRODUCTS OR ANY SUITABILITY FOR A PARTICULAR PURPOSE. WITH REGARD TO THE TECHNICAL SPECIFICATIONS OF OUR PRODUCTS, WE KINDLY ASK YOU TO REFER TO THE RELEVANT PRODUCT DATA SHEETS PROVIDED BY US. OUR CUSTOMERS AND THEIR TECHNICAL DEPARTMENTS ARE REQUIRED TO EVALUATE THE SUITABILITY OF OUR PRODUCTS FOR THE INTENDED APPLICATION.

WE RESERVE THE RIGHT TO CHANGE THIS DOCUMENT AND/OR THE INFORMATION GIVEN HEREIN AT ANY TIME.

Additional information

For further information on technologies, our products, the application of our products, delivery terms and conditions and/or prices, please contact your nearest Infineon Technologies office (www.infineon.com).

Warnings

Due to technical requirements, our products may contain dangerous substances. For information on the types in question, please contact your nearest Infineon Technologies office.

Except as otherwise explicitly approved by us in a written document signed by authorized representatives of Infineon Technologies, our products may not be used in any life-endangering applications, including but not limited to medical, nuclear, military, life-critical or any other applications where a failure of the product or any consequences of the use thereof can result in personal injury.