



Please note that Cypress is an Infineon Technologies Company.

The document following this cover page is marked as “Cypress” document as this is the company that originally developed the product. Please note that Infineon will continue to offer the product to new and existing customers as part of the Infineon product portfolio.

Continuity of document content

The fact that Infineon offers the following product as part of the Infineon product portfolio does not lead to any changes to this document. Future revisions will occur when appropriate, and any changes will be set out on the document history page.

Continuity of ordering part numbers

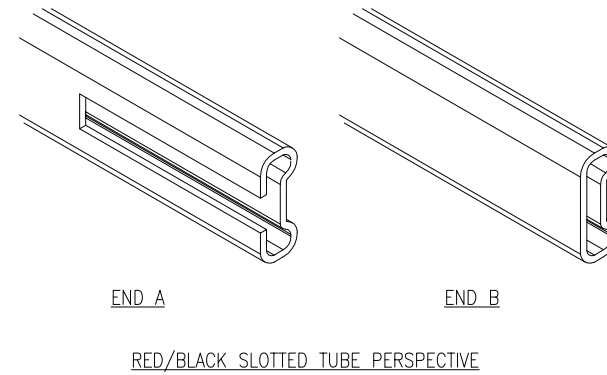
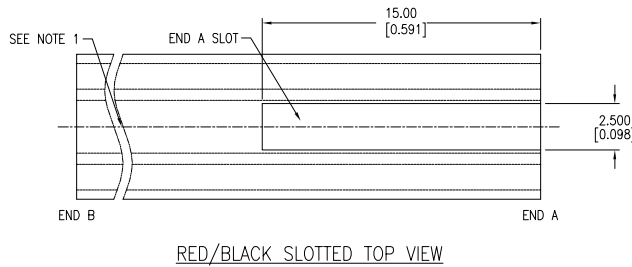
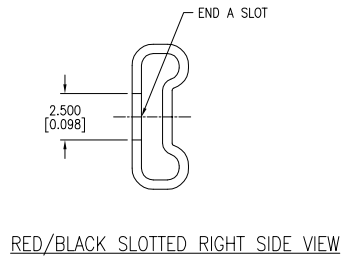
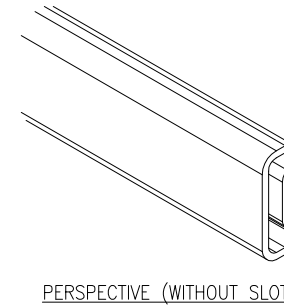
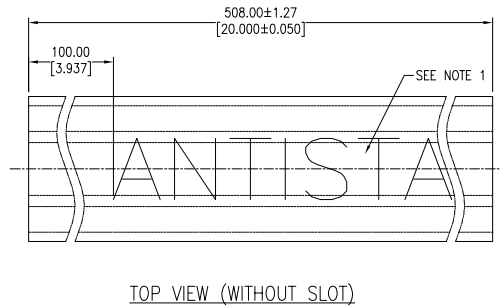
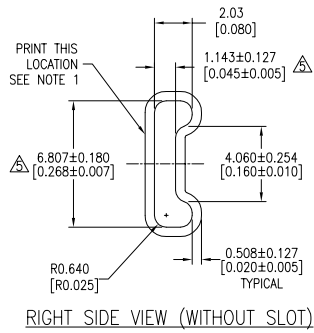
Infineon continues to support existing part numbers. Please continue to use the ordering part numbers listed in the datasheet for ordering.

REVISIONS

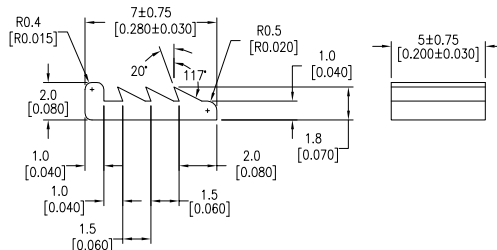
PAGE	ZONE	REV	ECN	DESCRIPTION	DATE	APPROVED
1	-	**	49094	NEW RELEASE	03/04/97	
1	-	*A	109778	CHANGE TITLE. ADD ENDPLUG DRAWING	08/30/01	
1	-	*B	133886	ADDED TABLE FOR PART NUMBER PER COLOR, CHANGE TITLE FROM TSSOP SHIPPING TUBE (4.4MM BODY) TO TUBE, TSSOP16/20/24/28 4.4MM, CHANGE P/N FROM ZTB4.40 TO ZTB4.40-*	02/17/04	
1	-	*C	231588	ADD SLOTTED TUBE DRAWING ADD NOTE NUMBER 7 INSERT "RED SLOTTED" AND "BLACK SLOTTED" TUBE IN THE TABLE	03/23/04	
1	-	*D	3285739	UPDATED DRAWING CHANGE DRAWING TEMPLATE	06/29/11	
1	-	*E	3507290	REMOVE "RED" ON NOTE 1	01/25/12	
1	-	*F	4447651	UPDATE DRAWING TEMPLATE	07/18/14	

- NOTE:
- MARK "ANTISTATIC, 4.4mm TSSOP" WITH 3.3mm HIGH GOTHIC LETTERS ON TOP SURFACE OF TUBE.
THE FIRST CHARACTER TO BE LOCATED 100.00[3.937"] INSIDE FROM TUBE LEFT END.
 - ALL DIMENSIONS ARE IN MILLIMETERS [INCHES].
 - TUBE MATERIAL : RIGID PVC.
 - FINISH: TO BE TREATED WITH ANTISTATIC COATING, 1.5±0.5% OF STATICIDE CONCENTRATE
 - △ DENOTES CRITICAL DIMENSION.
 - ALL INSIDE RADIUS TO BE 0.89[0.035"] MAXIMUM.
 - TUBE PART NUMBER WITH SLOT: ZTB4.40-R, ZTB4.40-BL

SHIPPING TUBE



END PLUG



TUBE TYPE	CY PART #
TSSOP16/20/24/28 4.4MM, YELLOW WITH BLUE PRINT	ZTB4.40-Y
TSSOP16/20/24/28 4.4MM, BLUE WITH BLUE PRINT	ZTB4.40-B
TSSOP16/20/24/28 4.4MM, BLACK SLOTTED TUBE WITH BLUE PRINT	ZTB4.40-BL
TSSOP16/20/24/28 4.4MM, CLEAR WITH BLUE PRINT	ZTB4.40-CB
TSSOP16/20/24/28 4.4MM, CLEAR WITH GREEN PRINT	ZTB4.40-CG
TSSOP16/20/24/28 4.4MM, GREEN WITH BLUE PRINT, GREEN PRE-PLUGGED	ZTB4.40-C-GRN
TSSOP16/20/24/28 4.4MM, ORANGE WITH BLUE PRINT	ZTB4.40-O
TSSOP16/20/24/28 4.4MM, RED SLOTTED TUBE WITH BLUE PRINT	ZTB4.40-R

UNLESS OTHERWISE SPECIFIED		DESIGNED BY	DATE	
ALL DIMENSIONS ARE IN MILLIMETERS STANDARD TOLERANCES ON: DECIMALS ± 0.10 .XX ± 0.10 .XXX ± 0.10 .XXXX ± 0.100		XVC	07/18/14	
ANGLES ± 1.0		ECVI	07/18/14	
MATERIAL SEE NOTE		QAD	07/18/14	
FINISH SEE NOTE		UYO	07/18/14	
SIZE A	PART NO. ZTB4.40-*	DWG NO. 51-51034	REV *F	TITLE TUBE, TSSOP16/20/24/28 4.4MM
DO NOT SCALE		SHEET 1 OF 1		