



Please note that Cypress is an Infineon Technologies Company.

The document following this cover page is marked as “Cypress” document as this is the company that originally developed the product. Please note that Infineon will continue to offer the product to new and existing customers as part of the Infineon product portfolio.

Continuity of document content

The fact that Infineon offers the following product as part of the Infineon product portfolio does not lead to any changes to this document. Future revisions will occur when appropriate, and any changes will be set out on the document history page.

Continuity of ordering part numbers

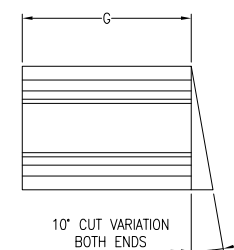
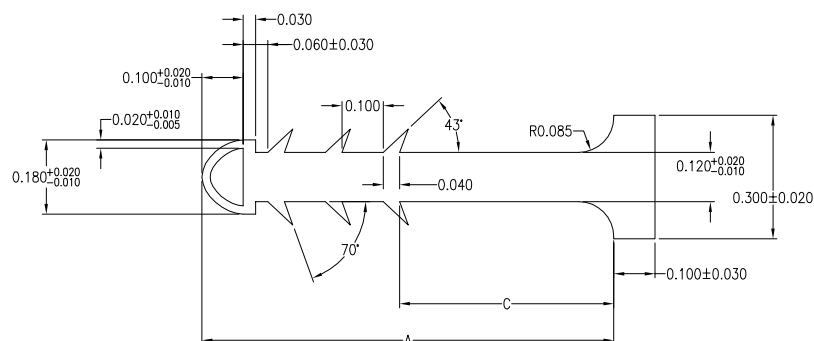
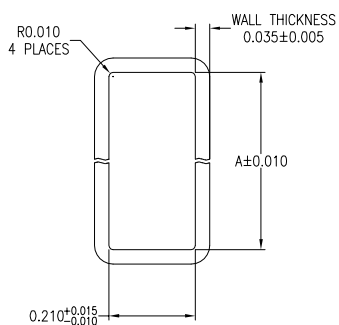
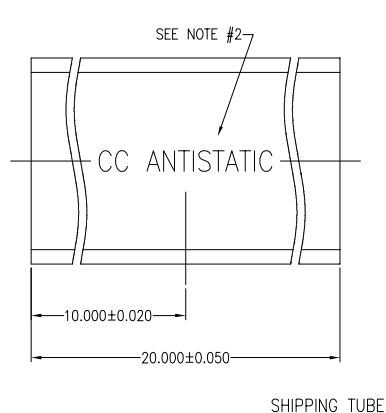
Infineon continues to support existing part numbers. Please continue to use the ordering part numbers listed in the datasheet for ordering.

REVISIONS

PAGE	ZONE	REV	ECN	DESCRIPTION	DATE	APPROVER
1	-	**	680	NEW RELEASE	01/10/94	
1	-	*A	51633	ADD PLUG/ ADD 20LD SHIPPING TUBE CHG. TITLE/ CHG. PART #	08/19/97	
1	-	*B	133883	Added table for p/n per color, change title from 20/28ld plcc shipping tube&plug to tube, plcc20/28,change p/n from JTB2*-*	02/19/04	
1	-	*C	133883	UPDATED DRAWING CHANGE DRAWING TEMPLATE	06/29/11	QAD/KGL
1	-	*D	4797140	UPDATED DRAWING TEMPLATE	05/15/15	CMG/UYO

NOTES:

- UNLESS OTHERWISE SPECIFIED, DIMENSIONS ARE IN INCHES.
- MARK "LEAD COUNT & ANTISTATIC" WITH .110 HIGH X.100 WIDE RED GOTHIC LETTERS IN AREA SHOWN.
- FINISH: TO BE TREATED WITH ANTISTATIC COATING. $1.5 \pm 0.5\%$ OF STATICIDE CONCENTRATE PER METHYL ALCOHOL.
- TUBE MATERIAL: CLEAR/TRANSPARENT RIGID PVC.
- PLUG MATERIAL: SOFT PVC, COLOR: BLUE (OPTION: GREEN/RED)



LEAD & CC SYMBOL	20	28
A	0.430	0.530
UNITS/TUBE	46	37

JTB20-C	TUBE, PLCC20, CLEAR
JTB28-C	TUBE, PLCC28, CLEAR
JTB20-R	TUBE, PLCC20, RED
JTB28-R	TUBE, PLCC28, RED

LEAD SYMBOL	20	28	TOL
A	1.100	0.970	+0.050 -0.030
C	0.580	0.450	±0.030
G	0.310	0.410	±0.030

UNLESS OTHERWISE SPECIFIED		DESIGNED BY	DATE	 CYPRESS COMPANY CONFIDENTIAL
ALL DIMENSIONS ARE IN MILLIMETERS		DRAWN	DATE	
STANDARD TOLERANCES ON:		CHECKED	DATE	
DECIMALS	ANGLES	APPROVED BY	DATE	
XX	± 2.0	LTO	06/15/15	TITLE
XXX ± 0.010		CMG	06/15/15	SIZE
XXXX		UYO	06/15/15	PART NO.
MATERIAL	SEE NOTE			DWG NO.
FINISH	SEE NOTE			REV
				*D
				DO NOT SCALE
				SHEET 1 OF 1