



Please note that Cypress is an Infineon Technologies Company.

The document following this cover page is marked as “Cypress” document as this is the company that originally developed the product. Please note that Infineon will continue to offer the product to new and existing customers as part of the Infineon product portfolio.

Continuity of document content

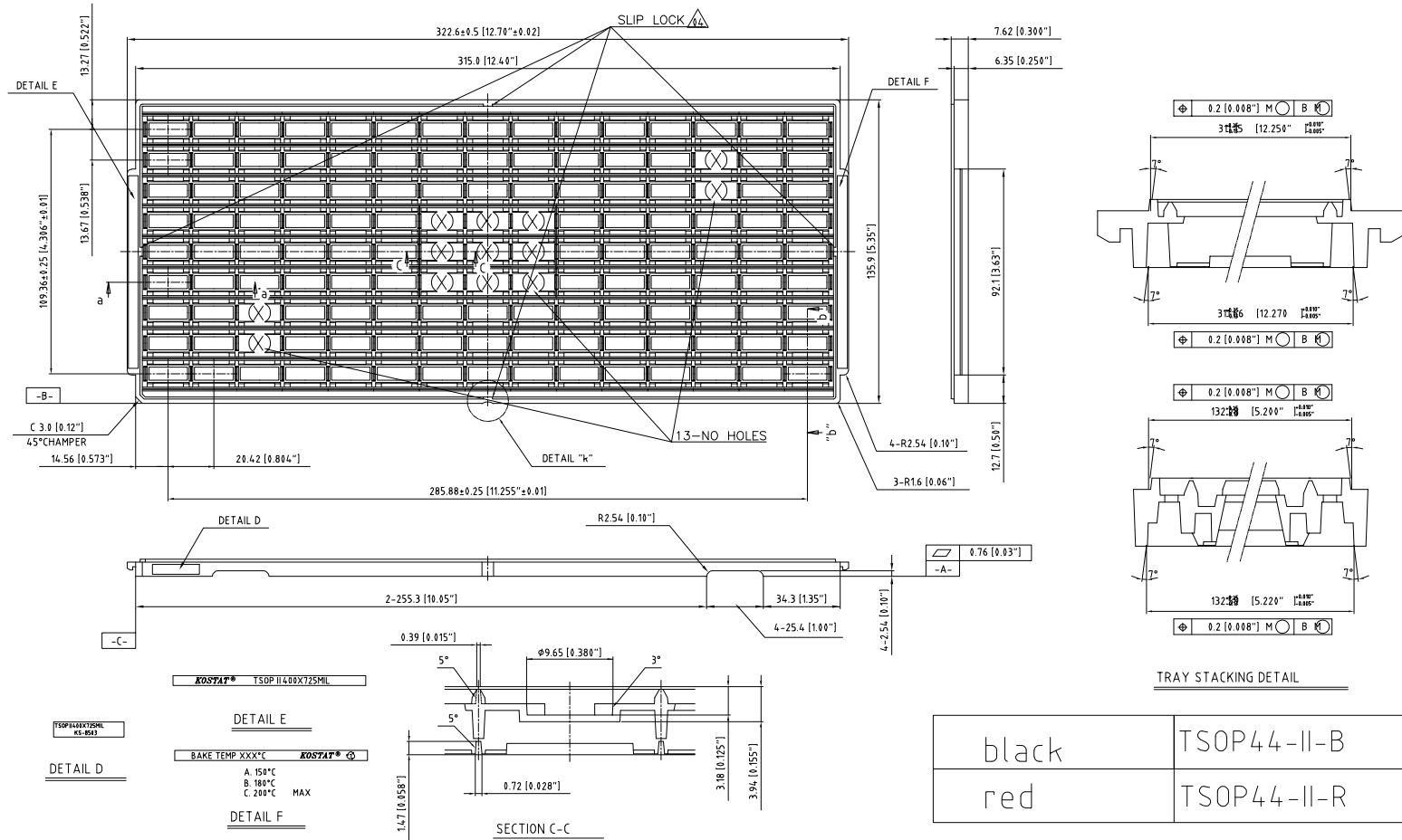
The fact that Infineon offers the following product as part of the Infineon product portfolio does not lead to any changes to this document. Future revisions will occur when appropriate, and any changes will be set out on the document history page.

Continuity of ordering part numbers

Infineon continues to support existing part numbers. Please continue to use the ordering part numbers listed in the datasheet for ordering.

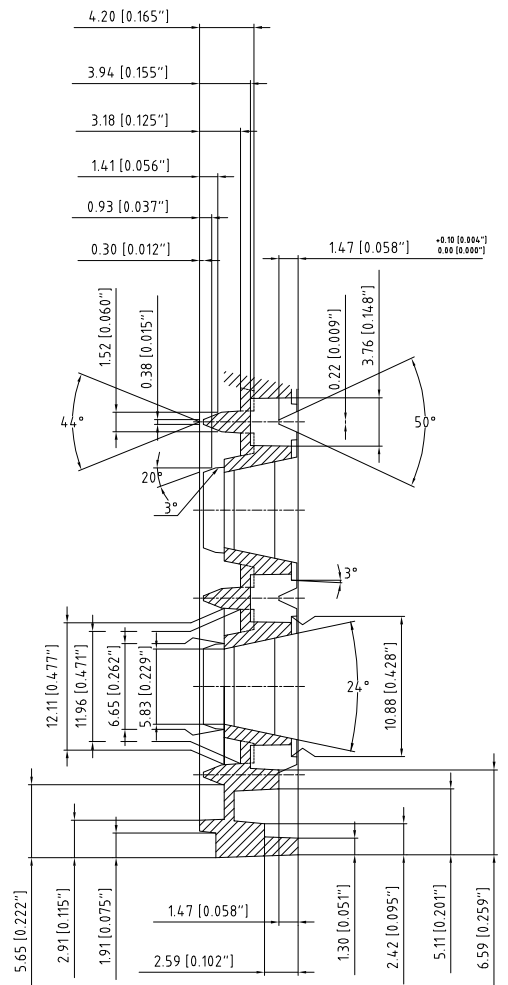
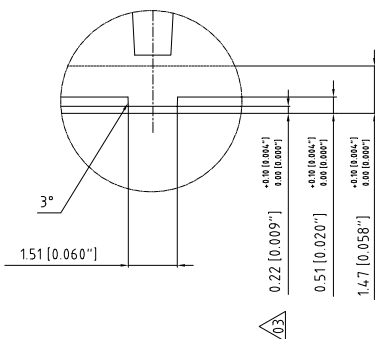
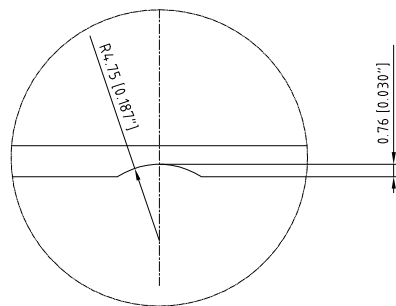
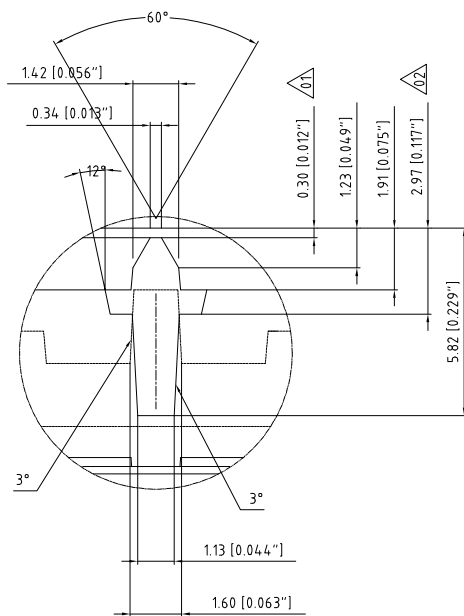
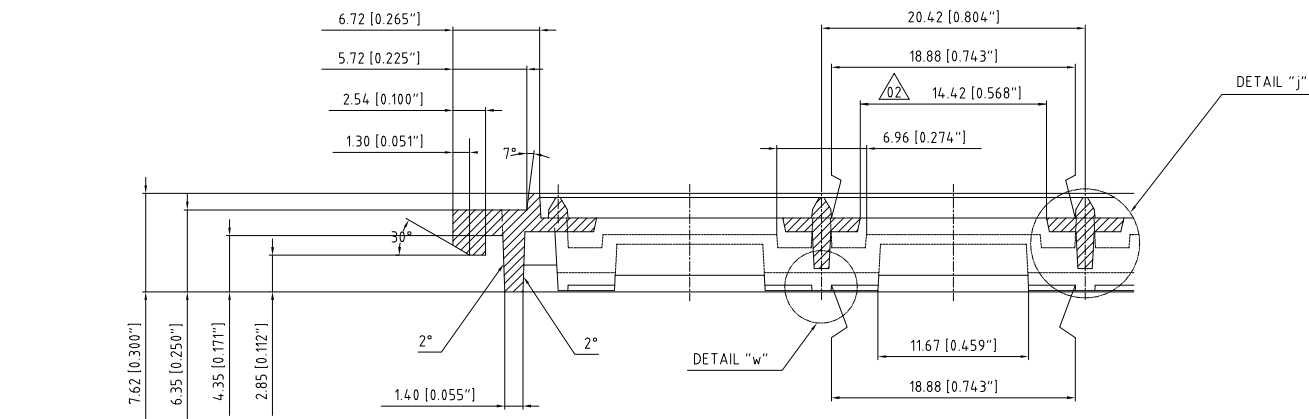
REVISIONS

PAGE	ZONE	REV	ECN	DESCRIPTION	DATE	APPROVED
1	-	**	51842	NEW RELEASE	09/03/97	
1	-	*A	250129	Change title from 44 TSOP TYPE II TRAY (9X15) to Tray, TSOPII 400X725 TSOPII 44, Change p/n from TSOPII-44 to TSOPII44-*, added table for blk and red p/n	08/10/04	
1	-	*B	3822678	Full revision of specs.	06/13/06	
1	-	*C	3850803	TRANSFER DRAWING TO CML UPDATED TEMPLATE	12/23/12	QAD/UYO
1	-	*D	6466627	Update Package Name on End Tab	01/30/19	LKSU
1,2	-	*E	6677732	Update Package Name on Side of Tray and Change Company Logo	09/19/19	LKSU



THIS DRAWING CONTAINS INFORMATION WHICH IS THE PROPRIETARY PROPERTY OF CYPRESS SEMICONDUCTOR CORPORATION. THIS DRAWING IS RECEIVED IN CONFIDENCE AND ITS CONTENTS MAY NOT BE DISCLOSED WITHOUT WRITTEN CONSENT OF CYPRESS SEMICONDUCTOR CORPORATION.

UNLESS OTHERWISE SPECIFIED ALL DIMENSIONS ARE IN MILLIMETERS STANDARD TOLERANCES ON: DECIMALS ± 0.25 XX ± 0.13 XXX ± 0.13 XXXX ANGLES ± 1°	DESIGNED BY	DATE	CYPRESS Company Confidential			
	DRAWN	DATE				
	CHK BY	DATE				
	APPROVED BY	DATE				
MATERIAL	APPROVED BY	DATE	TITLE			
SEE NOTE	CGON	09/19/19	TRAY, TSOPII 400X725 TSOPII44			
FINISH			SIZE	PART NO.	DWG NO.	REV
SEE NOTE			A	TZ44-II-*	51-52029	*E
			DO NOT SCALE		SHEET 1 OF 2	



THIS DRAWING CONTAINS INFORMATION WHICH IS THE PROPRIETARY PROPERTY OF CYPRESS SEMICONDUCTOR CORPORATION. THIS DRAWING IS RECEIVED IN CONFIDENCE AND ITS CONTENTS MAY NOT BE DISCLOSED WITHOUT WRITTEN CONSENT OF CYPRESS SEMICONDUCTOR CORPORATION.

UNLESS OTHERWISE SPECIFIED ALL DIMENSIONS ARE IN MILLIMETERS STANDARD TOLERANCES ON: DECIMALS ± 0.25 XX ± 0.25 XXX ± 0.13 XXXX ± 0.13 ANGLES ± 1° MATERIAL SEE NOTE FINISH SEE NOTE	DESIGNED BY	DATE		TITLE			TRAY, TS0P11 400X725 TS0P1144 SIZE A PART NO. TZ44-II-* DWG NO. 51-52029 REV *E
	DRAWN	DATE		TRAY, TS0P11 400X725 TS0P1144			
	CHK BY	DATE		TRAY, TS0P11 400X725 TS0P1144			
	APPROVED BY	DATE		TRAY, TS0P11 400X725 TS0P1144			
	APPROVED BY	DATE		TRAY, TS0P11 400X725 TS0P1144			
	KWTE	09/19/19		DO NOT SCALE			SHEET 2 OF 2
	RPZ	09/19/19					
	LKSU	09/19/19					
	CGON	09/19/19					