



Please note that Cypress is an Infineon Technologies Company.

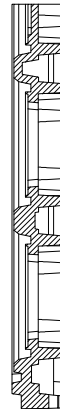
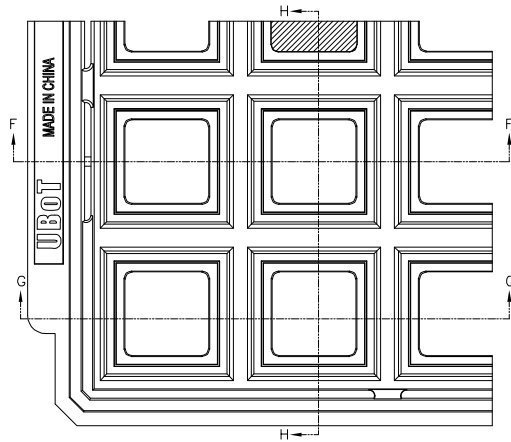
The document following this cover page is marked as “Cypress” document as this is the company that originally developed the product. Please note that Infineon will continue to offer the product to new and existing customers as part of the Infineon product portfolio.

Continuity of document content

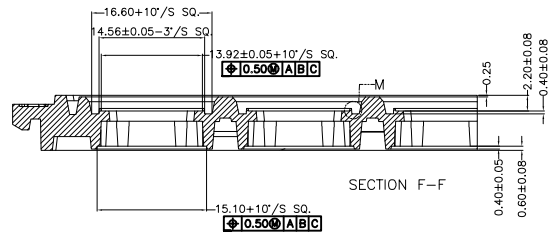
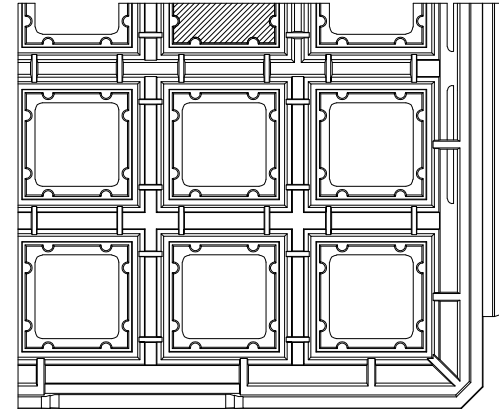
The fact that Infineon offers the following product as part of the Infineon product portfolio does not lead to any changes to this document. Future revisions will occur when appropriate, and any changes will be set out on the document history page.

Continuity of ordering part numbers

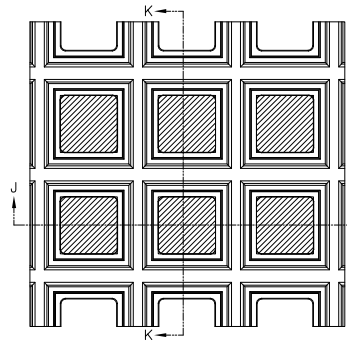
Infineon continues to support existing part numbers. Please continue to use the ordering part numbers listed in the datasheet for ordering.



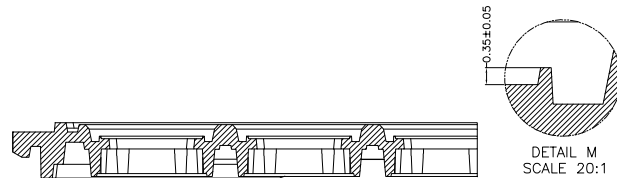
SECTION H-H



SECTION F-F

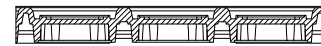


SECTION K-K
SCALE 2:1



DETAIL M
SCALE 20:1

SECTION G-G



SECTION J-J
SCALE 2:1

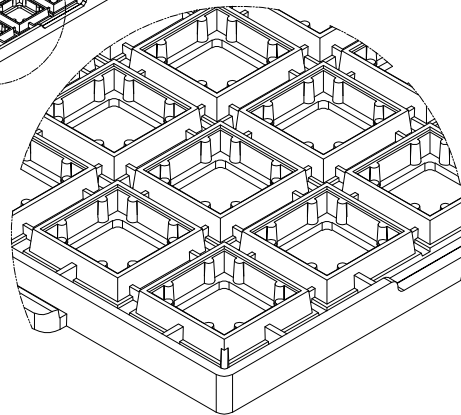
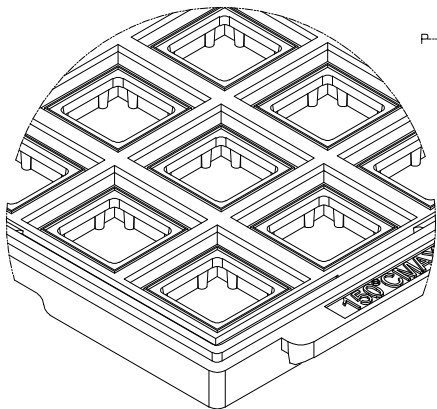
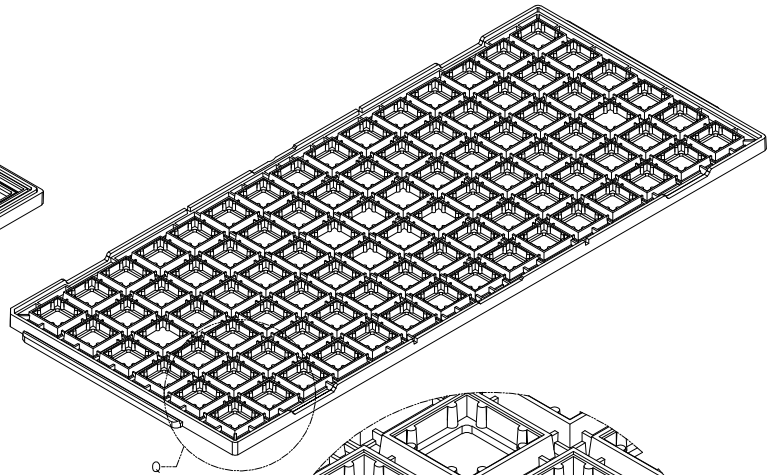
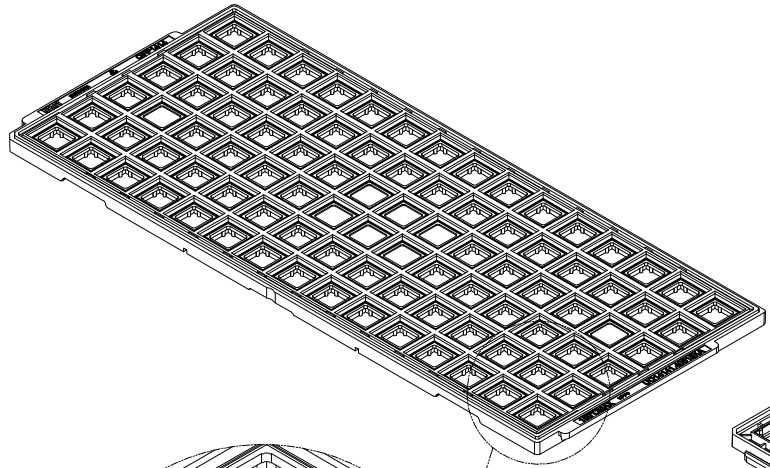


CYPRESS
Company Confidential

TITLE
TRAY, TQFP 14X14X1.4 MM (UBOT)

SIZE A	PART NO. TA141414Y-*	DWG NO 001-13916	REV *D
SCALED TO FIT		ENG'G REV ENG-00	SHEET 2 OF 3

THIS DRAWING CONTAINS INFORMATION WHICH IS THE PROPRIETARY PROPERTY OF CYPRESS SEMICONDUCTOR CORPORATION. THIS DRAWING IS RECEIVED IN CONFIDENCE AND ITS CONTENTS MAY NOT BE DISCLOSED WITHOUT WRITTEN CONSENT OF CYPRESS SEMICONDUCTOR CORPORATION.



CYPRESS
Company Confidential

TITLE
TRAY, QFP 14X14X1.4 MM (UBOT)

SIZE	PART NO.	DWG NO	REV
A	TA141414Y-*	001-13916	*D
SCALED TO FIT		ENG'G REV	SHEET 3 OF 3
		ENG-00	

THIS DRAWING CONTAINS INFORMATION WHICH IS THE PROPRIETARY PROPERTY OF CYPRESS SEMICONDUCTOR CORPORATION. THIS DRAWING IS RECEIVED IN CONFIDENCE AND ITS CONTENTS MAY NOT BE DISCLOSED WITHOUT WRITTEN CONSENT OF CYPRESS SEMICONDUCTOR CORPORATION.