



**Please note that Cypress is an Infineon Technologies Company.**

The document following this cover page is marked as “Cypress” document as this is the company that originally developed the product. Please note that Infineon will continue to offer the product to new and existing customers as part of the Infineon product portfolio.

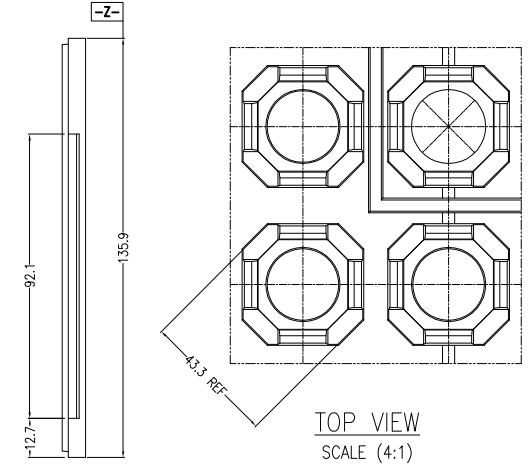
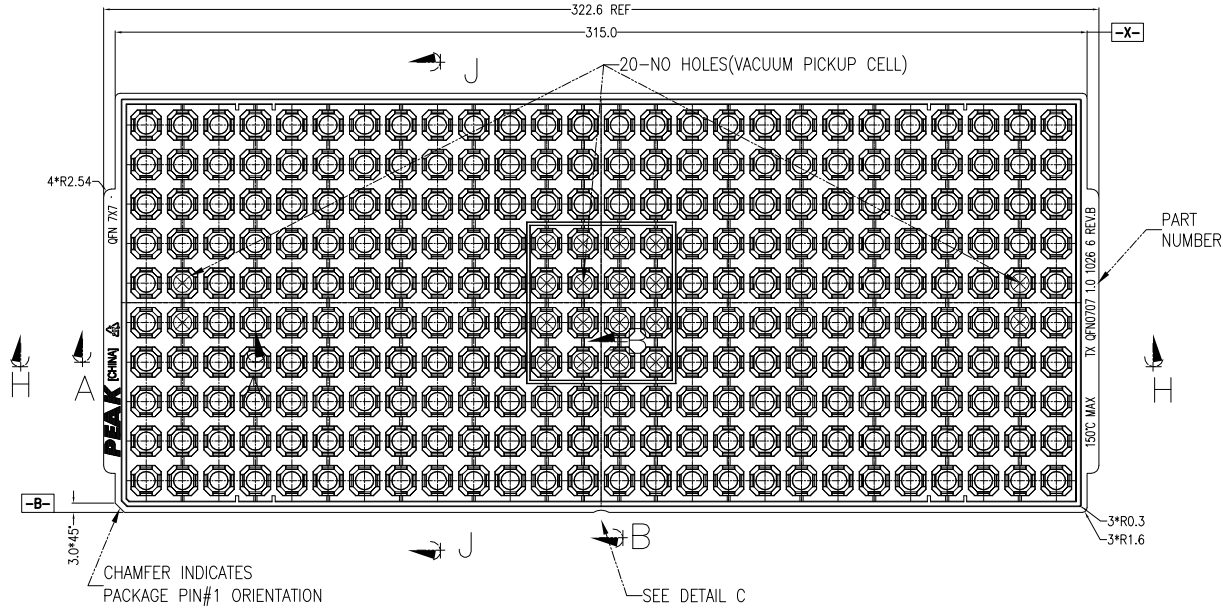
**Continuity of document content**

The fact that Infineon offers the following product as part of the Infineon product portfolio does not lead to any changes to this document. Future revisions will occur when appropriate, and any changes will be set out on the document history page.

**Continuity of ordering part numbers**

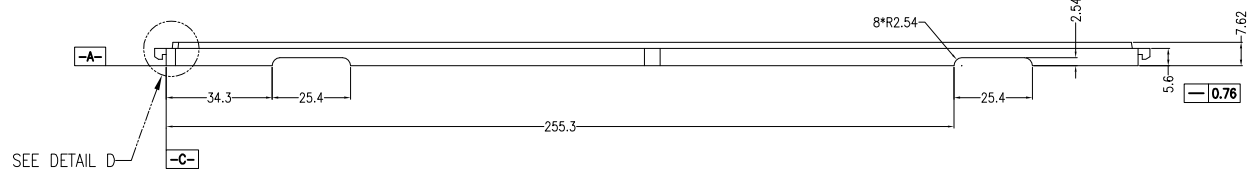
Infineon continues to support existing part numbers. Please continue to use the ordering part numbers listed in the datasheet for ordering.

REVISIONS						
PAGE	ZONE	REV	ECN	DESCRIPTION	DATE	APPROVED
1	-	**	111380	NEW RELEASE	01/16/02	
1	-	*A	128355	Change title from 48LD QFN 7x7MM Shipping tray to Shipping tray, QFN 48 (7x7mm), Change p/n from TLF7X7 to TLF7X7-*, added table for black and red tray p/n	07/03/03	
1	-	*B	212423	Change title from Shipping tray, QFN 48 (7x7mm) to Tray, QFN48 (7x7mm). Complete revision on tray design (from square fence to circular fence) to improve self alignment feature.	03/21/04	
1	-	*C	565977	Added p/n for blue tray	11/12/06	
1	-	*D	3326860	UPDATED DRAWING BASED ON SUPPLIER'S LATEST DRAWING REVISION CHANGE DRAWING TEMPLATE	08/08/11	QAD/KGL
1	-	*E	4503805	SUNSET REVIEW. NO CHANGE.	09/16/14	QAD



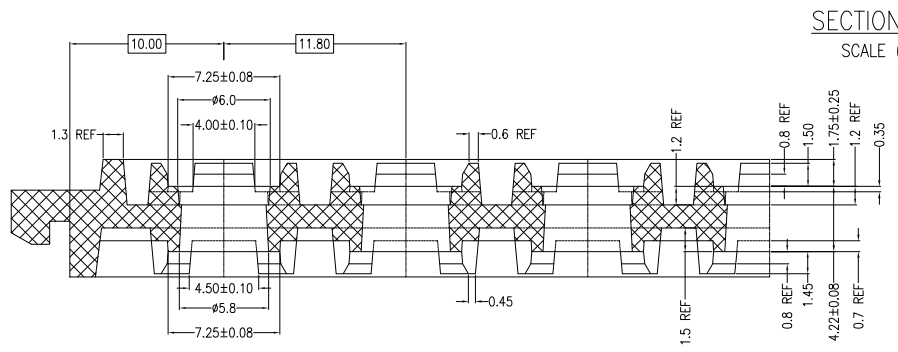
- NOTES:
- MATERIAL - PP6.
  - ALL DIMENSIONS ARE IN MILLIMETERS.
  - TOLERANCES - X.X = ±0.25  
- X.XX = ±0.13
  - DRAFT ANGLES FOR REFERENCE. UNLESS OTHERWISE SPECIFIED.
  - ESD - SURFACE RESISTIVITY - 10<sup>6</sup> TO 10<sup>11</sup> OHMS/SQ.
  - FOR PACKAGE - QFN 7X7
  - SUPPLIER PART NO. : TX QFN0707 1.0 1026 6 REV.B
  - DATE CODE AT TRAY BOTTOM SIDE.

BLACK	TLF7X7-B
RED	TLF7X7-R
BLUE	TLF7X7-BL

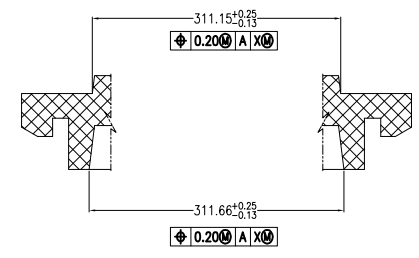


THIS DRAWING CONTAINS INFORMATION WHICH IS THE PROPRIETARY PROPERTY OF CYPRESS SEMICONDUCTOR CORPORATION. THIS DRAWING IS RECEIVED IN CONFIDENCE AND ITS CONTENTS MAY NOT BE DISCLOSED WITHOUT WRITTEN CONSENT OF CYPRESS SEMICONDUCTOR CORPORATION.

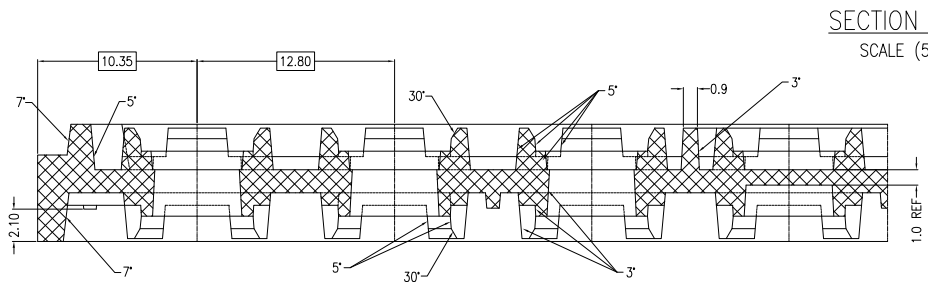
UNLESS OTHERWISE SPECIFIED ALL DIMENSIONS ARE IN MILLIMETERS STANDARD TOLERANCES ON: DECIMALS .X ± 0.25 .XX ± 0.13 .XXX ± 0.13 ANGLES ± 0.5°	DESIGNED BY	DATE	CYPRESS Company Confidential	TITLE		
	DRAWN BY	DATE		TRAY, QFN 48 ( 7x7 mm)		
	CHECKED BY	DATE		SIZE	PART NO.	DWG NO
	APPROVED BY	DATE		A	TLF7X7-*	51-52085
MATERIAL	SEE NOTES	APPROVED BY	DATE	REV	ENG'G REV	
FINISH		APPROVED BY	DATE	*E	SHEET 1 OF 2	



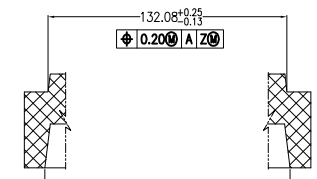
SECTION A-A  
SCALE (5:1)



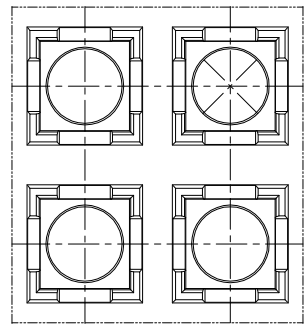
SECTION H-H



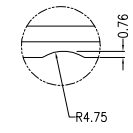
SECTION B-B  
SCALE (5:1)



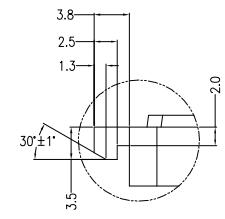
SECTION J-J




BOTTOM VIEW  
SCALE (4:1)



DETAIL C  
NOTE: SCALLOP IS CENTERED ON SIDE OF TRAY



DETAIL D

 <b>CYPRESS</b> Company Confidential			
TITLE TRAY, QFN 48 ( 7x7 mm)			
SIZE A	PART NO. TLF7X7-*	DWG NO 51-52085	REV *E
SCALED TO FIT		ENG'G REV	SHEET 2 OF 2

THIS DRAWING CONTAINS INFORMATION WHICH IS THE PROPRIETARY PROPERTY OF CYPRESS SEMICONDUCTOR CORPORATION. THIS DRAWING IS RECEIVED IN CONFIDENCE AND ITS CONTENTS MAY NOT BE DISCLOSED WITHOUT WRITTEN CONSENT OF CYPRESS SEMICONDUCTOR CORPORATION.