



Please note that Cypress is an Infineon Technologies Company.

The document following this cover page is marked as “Cypress” document as this is the company that originally developed the product. Please note that Infineon will continue to offer the product to new and existing customers as part of the Infineon product portfolio.

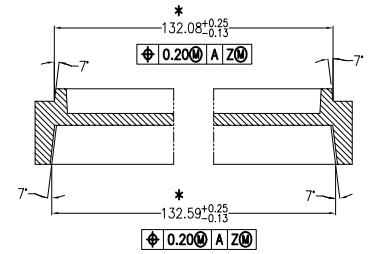
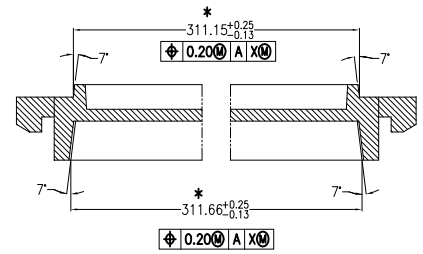
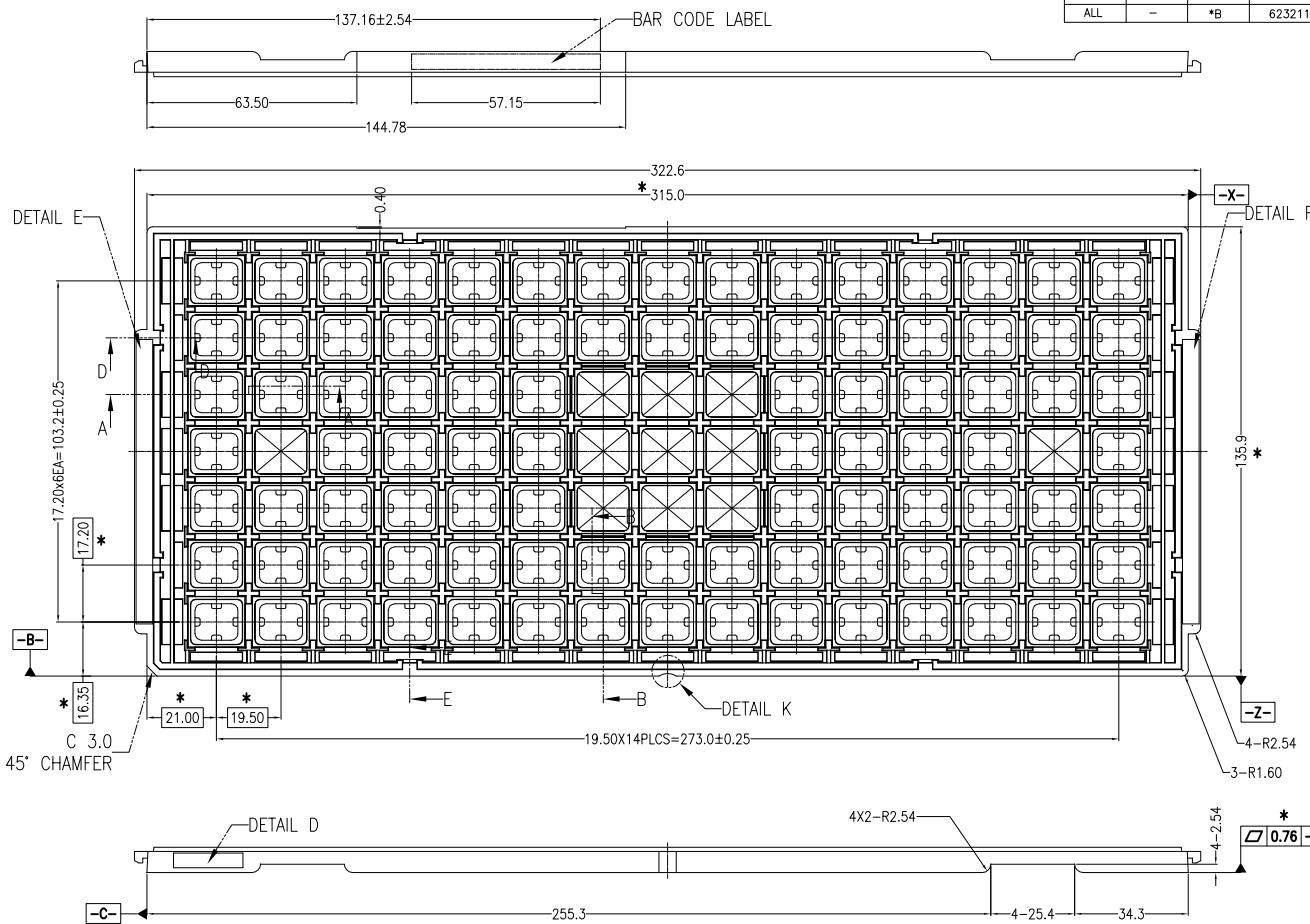
Continuity of document content

The fact that Infineon offers the following product as part of the Infineon product portfolio does not lead to any changes to this document. Future revisions will occur when appropriate, and any changes will be set out on the document history page.

Continuity of ordering part numbers

Infineon continues to support existing part numbers. Please continue to use the ordering part numbers listed in the datasheet for ordering.

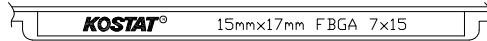
REVISIONS						
PAGE	ZONE	REV	ECN	DESCRIPTION	DATE	APPROVED
-	-	**	2692761	NEW RELEASE	04/17/09	
ALL	-	*A	3598936	UPDATED DRAWING BASED ON SUPPLIER'S LATEST DRAWING REVISION CHANGE TEMPLATE	04/25/12	QAD/UYO/AVC
ALL	-	*B	6232112	ADD * TO DENOTE CRITICAL DIMENSIONS	07/06/18	PCWO



TRAY STACKING DETAIL

NOTES:
1. * DENOTES CRITICAL DIMENSIONS

15mmx17mm FBGA 7x15
KS - 88092



DETAIL D
SCALE 2/1

DETAIL E
SCALE 2/1



DETAIL F
SCALE 2/1

DESCRIPTION	MATERIAL	COLOR	TEMP °C	E S D
NON-BAKEABLE	ABS	BLUE,RED	50°C	10 ⁰ TO 10 ¹² OHMS/SQ.
BAKEABLE	KS-6120	BLACK	140°C	10 ⁶ TO 10 ¹¹ OHMS/SQ.
BAKEABLE	KS-6110	BLACK	150°C	10 ⁶ TO 10 ¹¹ OHMS/SQ.
BAKEABLE	KS-6100	BLACK	180°C	10 ⁶ TO 10 ¹¹ OHMS/SQ.

*SUPPLIER P/N: KS-88092

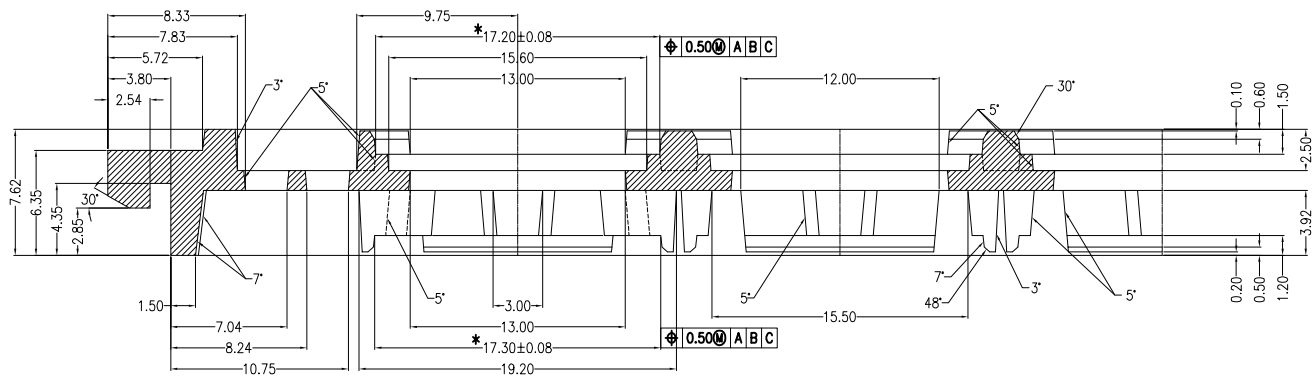
UNLESS OTHERWISE SPECIFIED ALL DIMENSIONS ARE IN MILLIMETERS STANDARD TOLERANCES ON:		DESIGNED BY	DATE
DECIMALS	ANGLES	DRAWN BY	DATE
.X ± 0.25	± 1°	KWIE	07/06/18
.XX ± 0.13		CHECKED BY	DATE
.XXX ± 0.13		LTEO	07/06/18
MATERIAL	SEE NOTES	APPROVED BY	DATE
FINISH		PCWO	07/06/18
		APPROVED BY	DATE
		NY1	07/06/18
		APPROVED BY	DATE



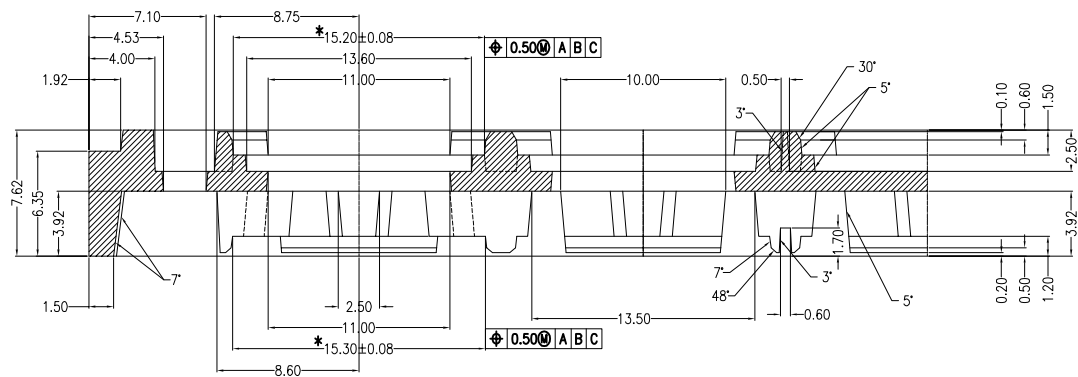
TITLE
TRAY, FBGA 17X15 MM (KOSTAT)

SIZE	PART NO.	DWG NO	REV
A	TBB17151.4J-*	001-52949	*B
SCALED TO FIT		ENG'G REV	SHEET 1 OF 3

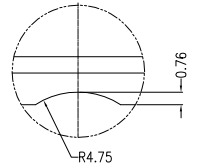
THIS DRAWING CONTAINS INFORMATION WHICH IS THE PROPRIETARY PROPERTY OF CYPRESS SEMICONDUCTOR CORPORATION. THIS DRAWING IS RECEIVED IN CONFIDENCE AND ITS CONTENTS MAY NOT BE DISCLOSED WITHOUT WRITTEN CONSENT OF CYPRESS SEMICONDUCTOR CORPORATION.



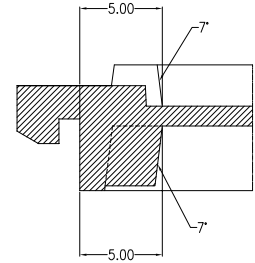
SECTION A-A
SCALE 5/1



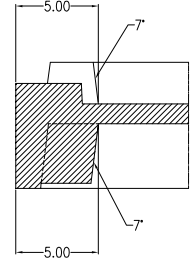
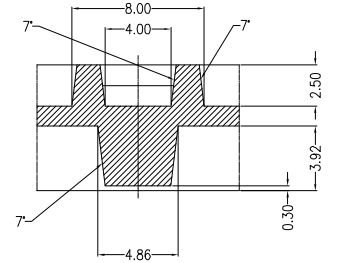
SECTION B-B
SCALE 5/1



DETAIL "K"
SCALE 4/1



SECTION D-D
SCALE 5/1



SECTION E-E
SCALE 5/1

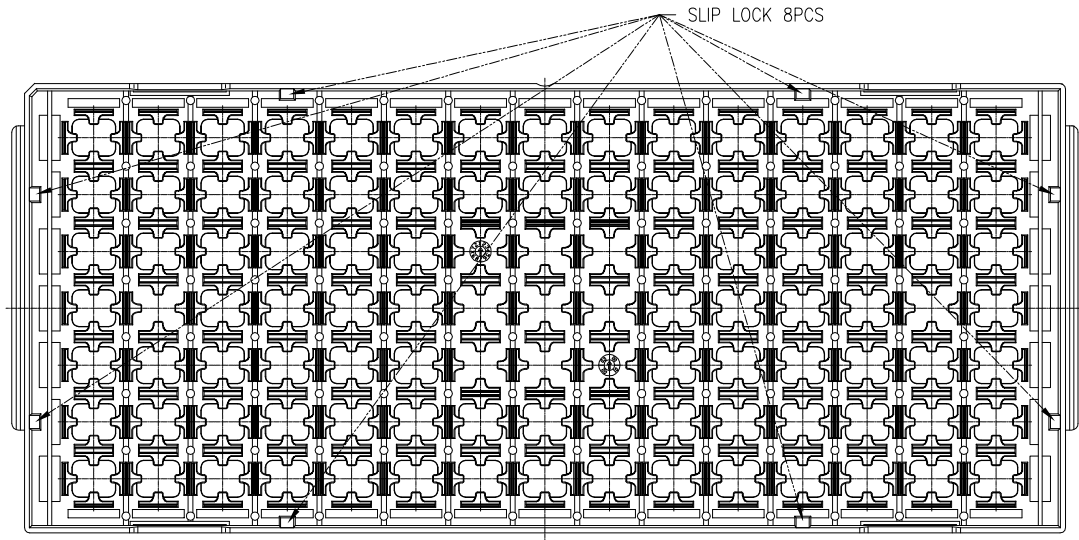


CYPRESS
Company Confidential

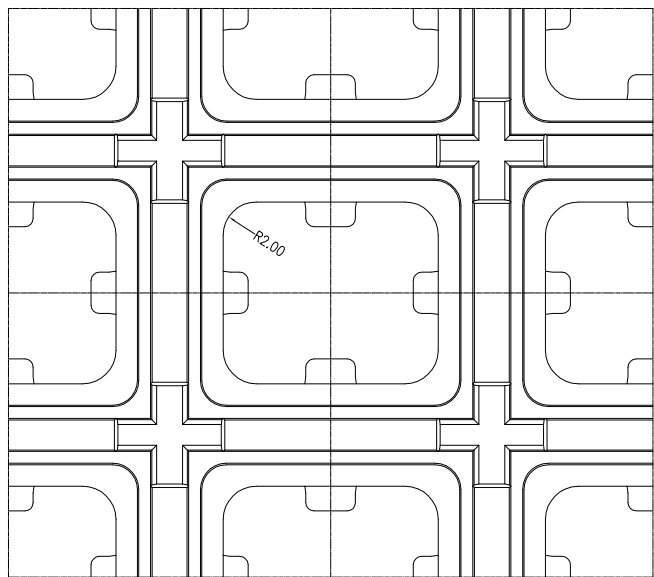
TITLE
TRAY, FBGA 17X15 MM (KOSTAT)

SIZE A	PART NO. TBB17151.4J-*	DWG NO. 001-52949	REV *B
SCALED TO FIT		ENG'G REV	SHEET 2 OF 3

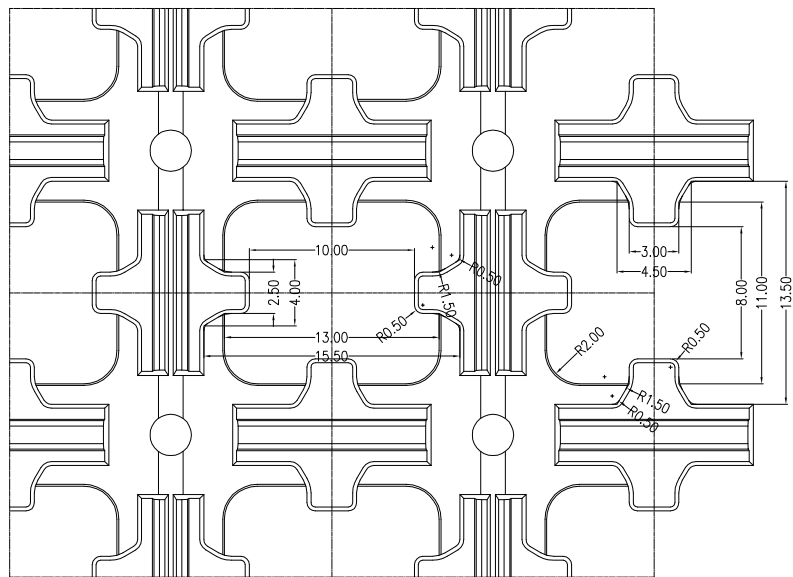
THIS DRAWING CONTAINS INFORMATION WHICH IS THE PROPRIETARY PROPERTY OF CYPRESS SEMICONDUCTOR CORPORATION. THIS DRAWING IS RECEIVED IN CONFIDENCE AND ITS CONTENTS MAY NOT BE DISCLOSED WITHOUT WRITTEN CONSENT OF CYPRESS SEMICONDUCTOR CORPORATION.



BOTTOM VIEW



TOP VIEW
SCALE 5/1



BOTTOM VIEW
SCALE 5/1



CYPRESS
Company Confidential

TITLE
TRAY, FBGA 17X15 MM (KOSTAT)

SIZE A	PART NO. TBB17151.4J-*	DWG NO 001-52949	REV *B
SCALED TO FIT		ENG'G REV	SHEET 3 OF 3

THIS DRAWING CONTAINS INFORMATION WHICH IS THE PROPRIETARY PROPERTY OF CYPRESS SEMICONDUCTOR CORPORATION. THIS DRAWING IS RECEIVED IN CONFIDENCE AND ITS CONTENTS MAY NOT BE DISCLOSED WITHOUT WRITTEN CONSENT OF CYPRESS SEMICONDUCTOR CORPORATION.