



Please note that Cypress is an Infineon Technologies Company.

The document following this cover page is marked as “Cypress” document as this is the company that originally developed the product. Please note that Infineon will continue to offer the product to new and existing customers as part of the Infineon product portfolio.

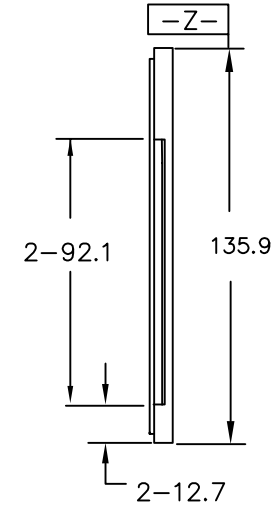
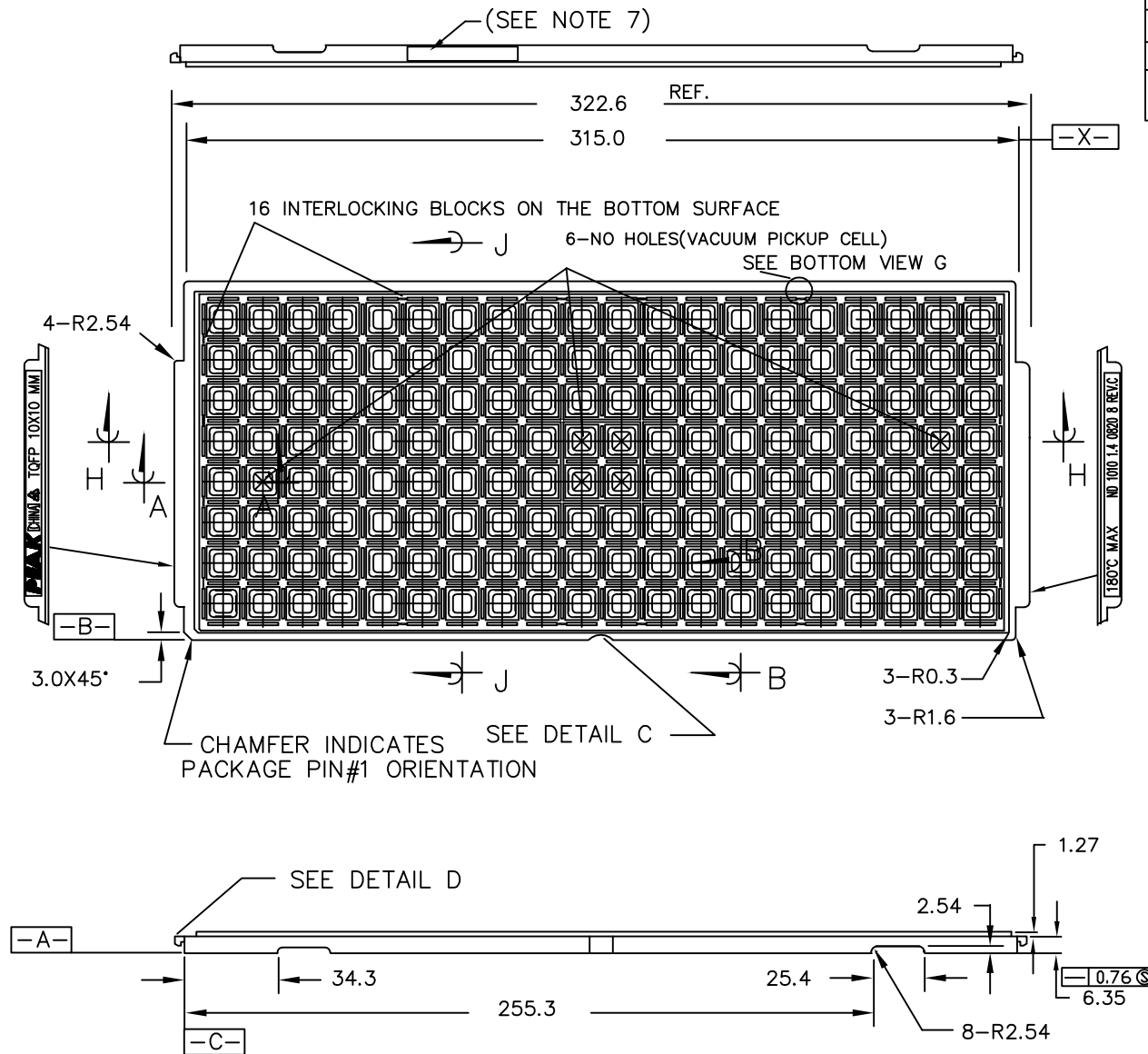
Continuity of document content

The fact that Infineon offers the following product as part of the Infineon product portfolio does not lead to any changes to this document. Future revisions will occur when appropriate, and any changes will be set out on the document history page.

Continuity of ordering part numbers

Infineon continues to support existing part numbers. Please continue to use the ordering part numbers listed in the datasheet for ordering.

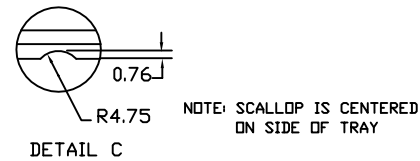
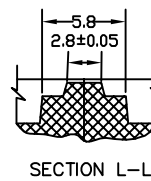
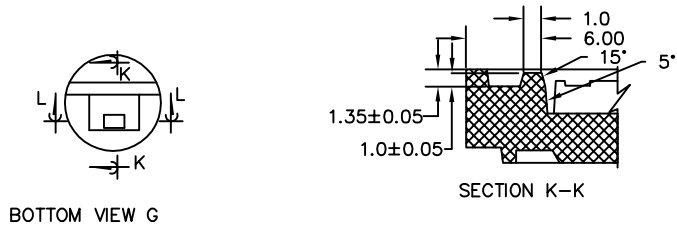
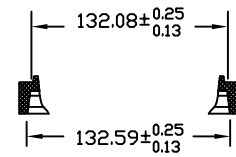
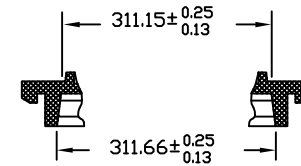
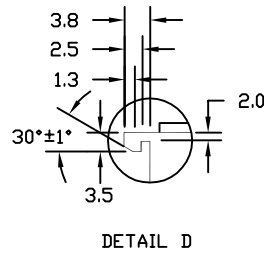
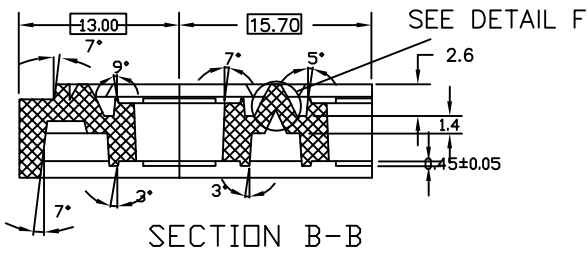
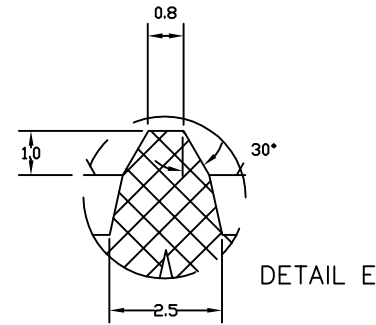
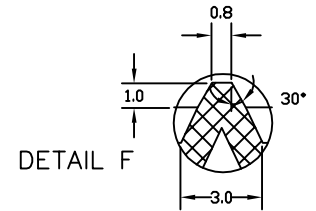
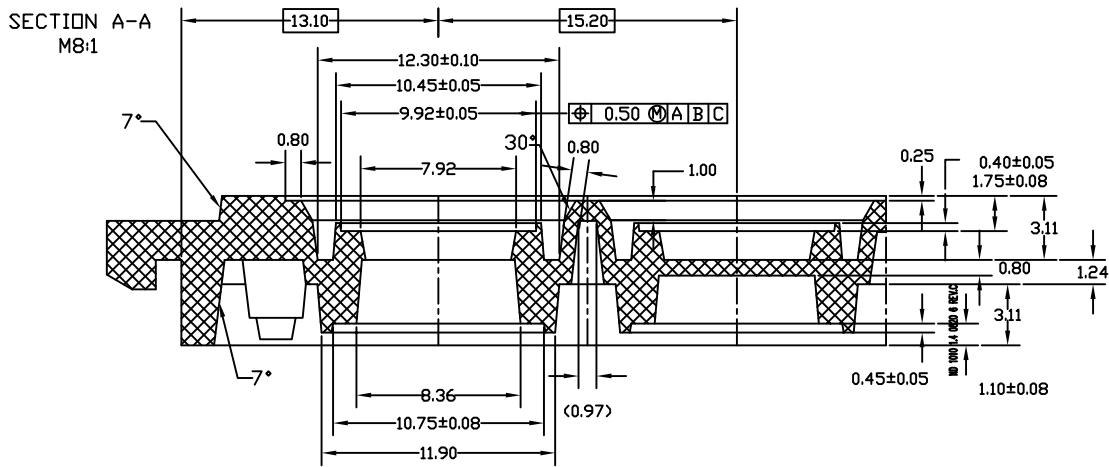
REVISIONS					
ZONE	REV	ECN	DESCRIPTION	DATE	APPROVED
	**	1146	NEW RELEASE	03/03/95	
	*A	115187	CHANGE DIMENSION ON SECTION A-A. ADD TRAY TYPE / PART # TABLE. CHANGE PART NUMBER TO TA101014A-X. CHANGE TITLE TO TQFP 10X10X1.4 TRAY.	04/24/02	
	*B	116973	CHANGE SUPPLIER PART# REVISION FROM A TO C	6/27/02	
	*C	121465	INCLUDE CML PART NUMBER OF BLUE TRAY	11/13/02	
	*D	3771008	CHANGE SEMICONDUCTOR TO COMPANY CONFIDENTIAL	10/09/12	QAD/KGL



- NOTES :
1. MATERIAL - PP8 (BLACK).
 2. ALL DIMENSIONS ARE IN MILLIMETERS.
 3. TOLERANCES - X.X=±0.25
- X.XX=±0.13
UNLESS OTHERWISE SPECIFIED.
 4. ESD - SURFACE RESISTIVITY - 10⁸ TO 10¹¹ OHMS/SQ.
 5. FOR PACKAGE - 1.4MM THICKNESS.
 6. PART NO. : ND 1010 1.4 0820 8 REV.C
 7. "ASSEMBLED IN SINGAPORE" (APPLICABLE FOR SSI PARTS ONLY)
 8. ESD - SURFACE RESISTIVITY 10¹¹ OHMS/SQ MAX. (APPLICABLE FOR ASE PARTS ONLY)
 9. THERE ARE 160 UNITS PER TRAY

UNLESS OTHERWISE SPECIFIED		DESIGNED BY	DATE	CYPRESS COMPANY CONFIDENTIAL
ALL DIMENSIONS ARE IN INCHES STANDARD TOLERANCES IN		DRAWN	DATE	
DECIMALS	ANGLES	XVC	10/08/12	
JXX *	*	CHK BY	DATE	SIZE D
JXXX *	*	Z.JL	10/08/12	
MATERIAL SEE NOTE 1		APPROVED BY	DATE	PART NO. TA101014A-X
		QAD	10/08/12	
FINISH		APPROVED BY	DATE	DWG NO 51-52013
		KGL	10/08/12	
				REV *D
SCALE NONE				SHEET 1 OF 2

SECTION A-A



TRAY TYPE	CY PART #
BLACK	TA101014A-B
RED	TA101014A-R
BLUE	TA101014A-BL

BOTTOM VIEW G

UNLESS OTHERWISE SPECIFIED		DESIGNED BY	DATE	
ALL DIMENSIONS ARE IN INCHES		DRAWN	DATE	
STANDARD TOLERANCES IN:		CHK BY	DATE	
DECIMALS	ANGLES	APPROVED BY	DATE	
.XX *	° *	APPROVED BY	DATE	TITLE
.XXX *		APPROVED BY	DATE	SIZE
.XXXX *		FINISH		PART NO.
				DWG NO
				REV
				*D
				SCALE NONE
				SHEET 2 OF 2

TA101014A-X
 51-52013
 TQFP 10X10X1.4 TRAY