



## Product Brief

# TLT807B0EPV

Linear voltage regulator for 24 V applications

Low dropout adjustable stand-by linear voltage regulator with overvoltage protection



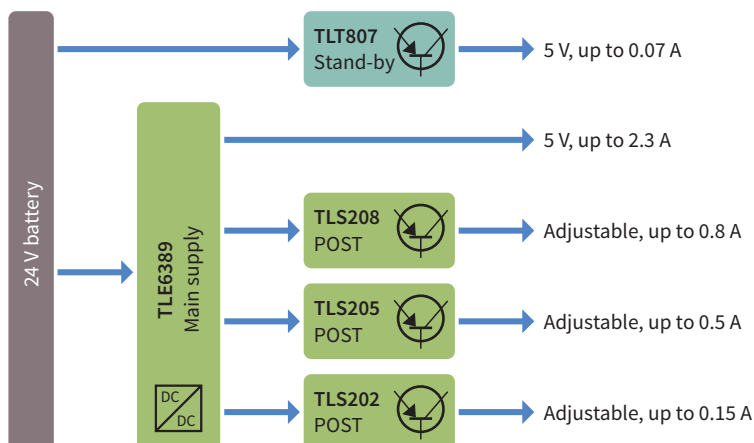
The TLT807B0EPV is a 70 mA low dropout linear voltage regulator with enable feature. The 70 mA regulator has an adjustable output voltage and is available in a TSDSO-14 package.

The wide input voltage range and the low quiescent current make it perfectly suitable for supply systems connected permanently to the battery. The overvoltage protection feature allows for the device to be used in 24 V automotive applications (e.g. trucks, commercial vehicles etc.). With a 58 V load dump capability the device is perfectly suited to supply loads in stand-by mode in 24 V applications.

The TLT807B0EPV has an integrated enable function and can be switched on and off via the enable pin. The current consumption in OFF mode is limited to 1.5  $\mu$ A. The device is stable with a small 1  $\mu$ F output capacitor.

The device also includes internal protection features such as output current limitation and overtemperature shutdown.

### Application diagram for TLT807B0EPV as a stand-by supply for 24 V ECUs



### Key features

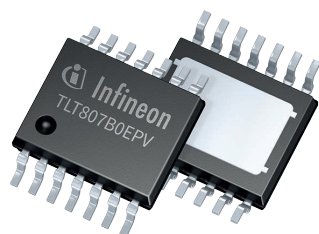
- > Enable
- > Adjustable output voltage
- > Output voltage accuracy: 2 percent
- > Output current: 70 mA
- > Current consumption: 36  $\mu$ A
- > Overvoltage protection up to 58 V
- > Available in TSDSO-14 package
- > Wide operating temperature range:  $-40^{\circ}\text{C} \leq T_j \leq 150^{\circ}\text{C}$

### Benefits

- > Load dump voltage up to 58 V  $\rightarrow$  **Requirement for 24 V battery powered applications**
- > Robust TSDSO-14 package  $\rightarrow$  **Longer lifetime requirements for trucks, commercial and agricultural vehicles**
- > Low dropout voltage and quiescent current  $\rightarrow$  **Suitable as a stand-by supply**
- > Extended qualification strategy for longer lifetime requirements

### Applications

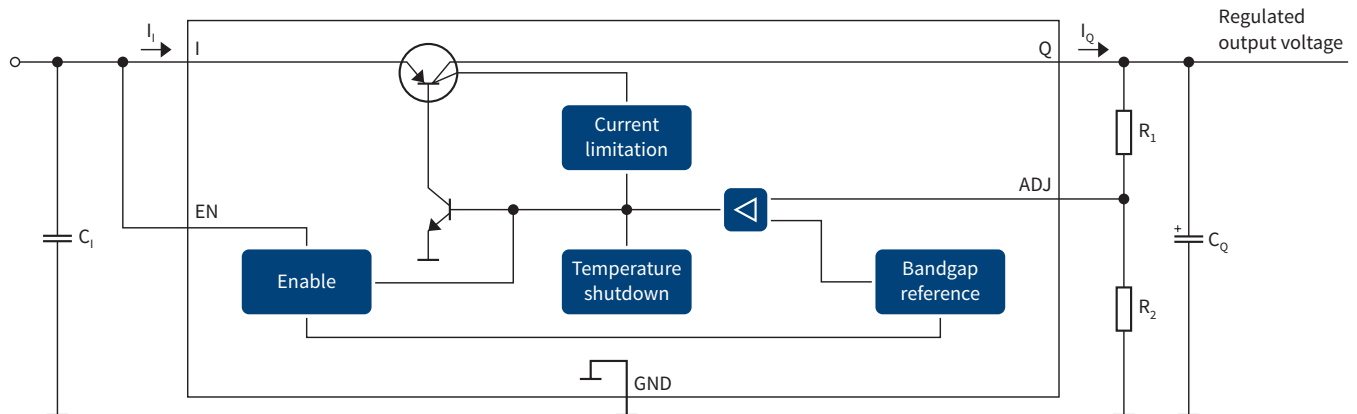
- > Stand-by linear voltage regulator for
  - 24 V applications
  - Trucks, commercial vehicles, construction vehicles, agricultural vehicles



# TLT807B0EPV

Linear voltage regulator for 24 V applications

Low dropout adjustable stand-by linear voltage regulator with overvoltage protection



Load dump capability 58 V	➔	24 V battery connected applications
Qualified according to truck mission profiles		Longer lifetimes for trucks and CAV
Robust TSDSO-14 package		Designed for higher reliability

Product	OPN	Output current $I_{out}$ [mA]	Quiescent current $I_q$ [ $\mu$ A]	Enable	Overvoltage protection	Output voltage [V]	Package
TLT807B0EPV	TLT807B0EPVXUMA1	70	36	Yes	Yes	Adjustable	TSDSO-14

Evaluation board name	Evaluation board OPN	Description
TLT807B0EPV BOARD	TLT807B0EPVBOARDTOB01	Evaluation board for 70 mA stand-by linear voltage regulator for 24 V applications

Published by  
Infineon Technologies AG  
81726 Munich, Germany

© 2017 Infineon Technologies AG.  
All Rights Reserved.

**Please note!**

THIS DOCUMENT IS FOR INFORMATION PURPOSES ONLY AND ANY INFORMATION GIVEN HEREIN SHALL IN NO EVENT BE REGARDED AS A WARRANTY, GUARANTEE OR DESCRIPTION OF ANY FUNCTIONALITY, CONDITIONS AND/OR QUALITY OF OUR PRODUCTS OR ANY SUITABILITY FOR A PARTICULAR PURPOSE. WITH REGARD TO THE TECHNICAL SPECIFICATIONS OF OUR PRODUCTS, WE KINDLY ASK YOU TO REFER TO THE RELEVANT PRODUCT DATA SHEETS PROVIDED BY US. OUR CUSTOMERS AND THEIR TECHNICAL DEPARTMENTS ARE REQUIRED TO EVALUATE THE SUITABILITY OF OUR PRODUCTS FOR THE INTENDED APPLICATION.

WE RESERVE THE RIGHT TO CHANGE THIS DOCUMENT AND/OR THE INFORMATION GIVEN HEREIN AT ANY TIME.

**Additional information**

For further information on technologies, our products, the application of our products, delivery terms and conditions and/or prices, please contact your nearest Infineon Technologies office ([www.infineon.com](http://www.infineon.com)).

**Warnings**

Due to technical requirements, our products may contain dangerous substances. For information on the types in question, please contact your nearest Infineon Technologies office.

Except as otherwise explicitly approved by us in a written document signed by authorized representatives of Infineon Technologies, our products may not be used in any life-endangering applications, including but not limited to medical, nuclear, military, life-critical or any other applications where a failure of the product or any consequences of the use thereof can result in personal injury.