

Product Brief

TLF4277-2EL and TLF4277-2LD

Active antenna supply. Linear voltage regulator with integrated current sense.

The TLF4277-2 is the ideal companion IC to supply active antennas for car infotainment applications. The adjustable output voltage makes the TLF4277-2 capable of supplying the majority of standard active antennas such as FM/AM, DAB XM and SIRIUS.

The TLF4277-2 is a monolithic integrated low drop out voltage regulator capable of supplying loads up to 300 mA. For an input voltage up to 40 V the TLF4277-2 provides an adjustable output voltage in a range from 5 V up to 12 V. The integrated current monitor function is a unique feature that provides diagnosis and system protection functionality. Fault conditions such as overtemperature and output overvoltage are monitored and indicated at the current sense output. The maximum output current limit of the device is adjustable to provide additional protection to the connected load. Via the enable function the IC can be disabled to lower the power consumption.

TLF4277-2 has two package options. The SSOP-14 EP package provides an enhanced thermal performance within a SO-8 body size. The TSON-10 package is a 3.3 x 3.3 mm leadless package with excellent thermal performance and the capability for AOI.

Key features

- > Integrated current monitor
- > Overvoltage, overtemperature and overcurrent detection
- > Adjustable output voltage
- > Output current up to 300 mA
- > Adjustable output current
- > Digital error flag
- > Leadless package option

Key benefits

- > System reliability
- > System cost optimization
- > Real time monitoring of load
- > Improved application lifetime
- > Immediate error detection
- > Less board space
- > Automated Optical Inspection

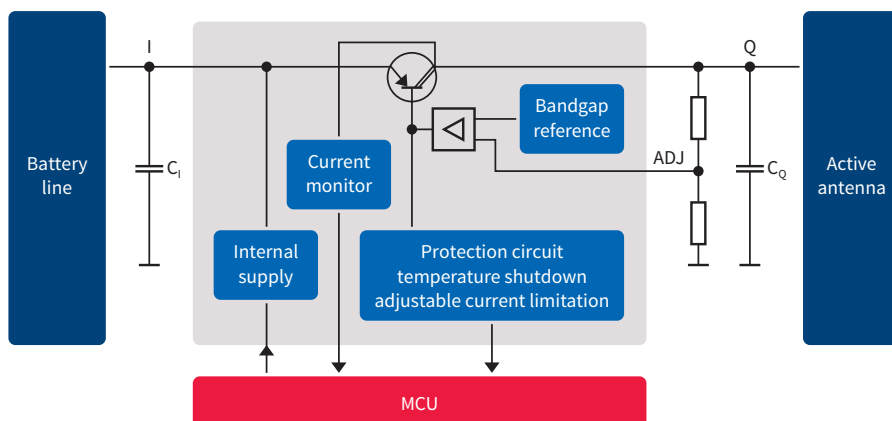
Applications

Infotainment

- > Active antenna supply for AM/FM, DAB, GPS, satellite
- > Microphone supply

Automotive Ecall

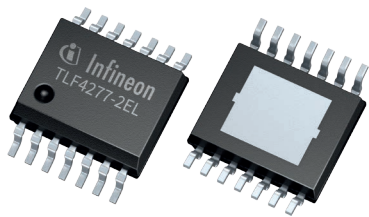
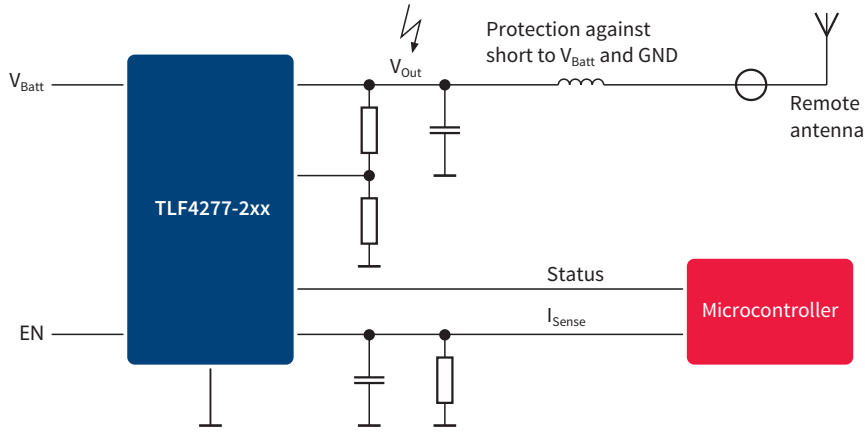
- > GPS supply
- > Battery management IC
- > External sensors supply
- > Automotive communication



TLF4277-2EL and TLF4277-2LD

Active antenna supply. Linear voltage regulator with integrated current sense.

Application block diagram



TLF4277-2EL
SSOP-14
4.9 x 6.0 x 1.7 mm

50 percent
less board space
→



TLF4277-2LD
TSON-10 with AOI
3.3 x 3.3 x 1.1 mm

Product summary

Sales name	OPN	Package
TLF4277-2EL	TLF42772ELXUMA2	SSOP-14
TLF4277-2LD	TLF42772LDXUMA1	TSON-10

Published by
Infineon Technologies AG
81726 Munich, Germany

© 2016 Infineon Technologies AG.
All Rights Reserved.

Please note!

THIS DOCUMENT IS FOR INFORMATION PURPOSES ONLY AND ANY INFORMATION GIVEN HEREIN SHALL IN NO EVENT BE REGARDED AS A WARRANTY, GUARANTEE OR DESCRIPTION OF ANY FUNCTIONALITY, CONDITIONS AND/OR QUALITY OF OUR PRODUCTS OR ANY SUITABILITY FOR A PARTICULAR PURPOSE. WITH REGARD TO THE TECHNICAL SPECIFICATIONS OF OUR PRODUCTS, WE KINDLY ASK YOU TO REFER TO THE RELEVANT PRODUCT DATA SHEETS PROVIDED BY US. OUR CUSTOMERS AND THEIR TECHNICAL DEPARTMENTS ARE REQUIRED TO EVALUATE THE SUITABILITY OF OUR PRODUCTS FOR THE INTENDED APPLICATION.

WE RESERVE THE RIGHT TO CHANGE THIS DOCUMENT AND/OR THE INFORMATION GIVEN HEREIN AT ANY TIME.

Additional information

For further information on technologies, our products, the application of our products, delivery terms and conditions and/or prices, please contact your nearest Infineon Technologies office (www.infineon.com).

Warnings

Due to technical requirements, our products may contain dangerous substances. For information on the types in question, please contact your nearest Infineon Technologies office.

Except as otherwise explicitly approved by us in a written document signed by authorized representatives of Infineon Technologies, our products may not be used in any life-endangering applications, including but not limited to medical, nuclear, military, life-critical or any other applications where a failure of the product or any consequences of the use thereof can result in personal injury.