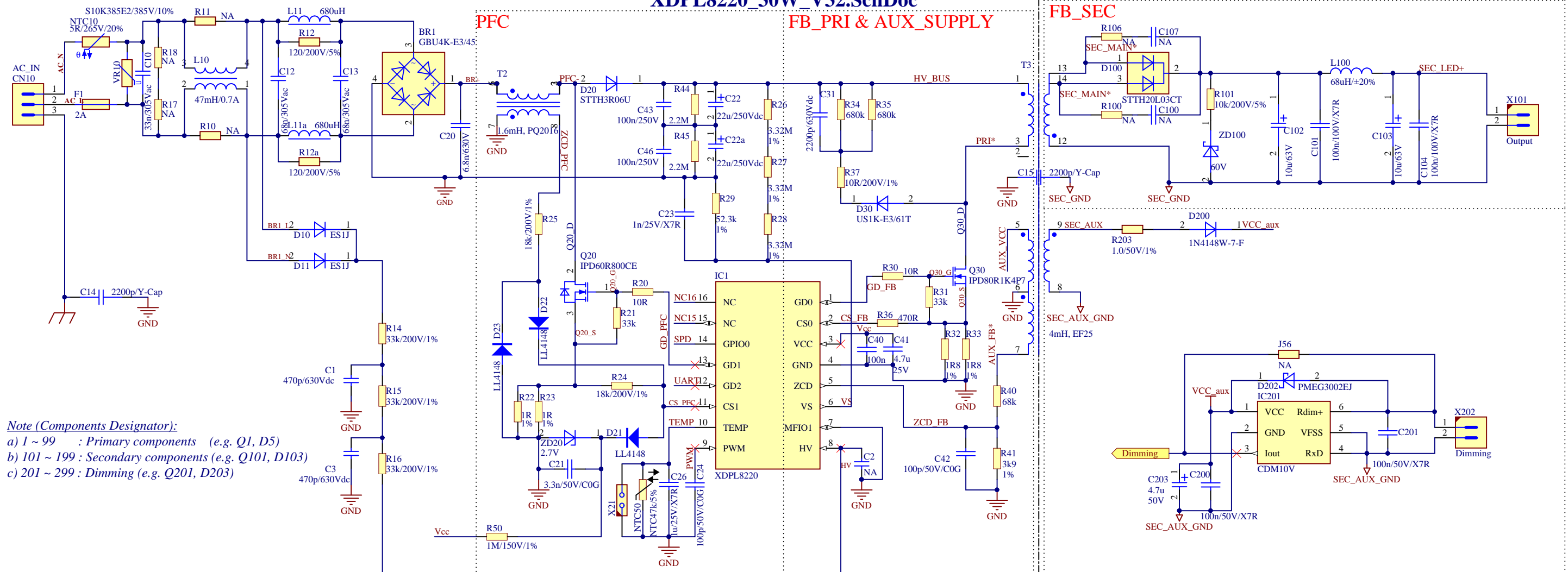


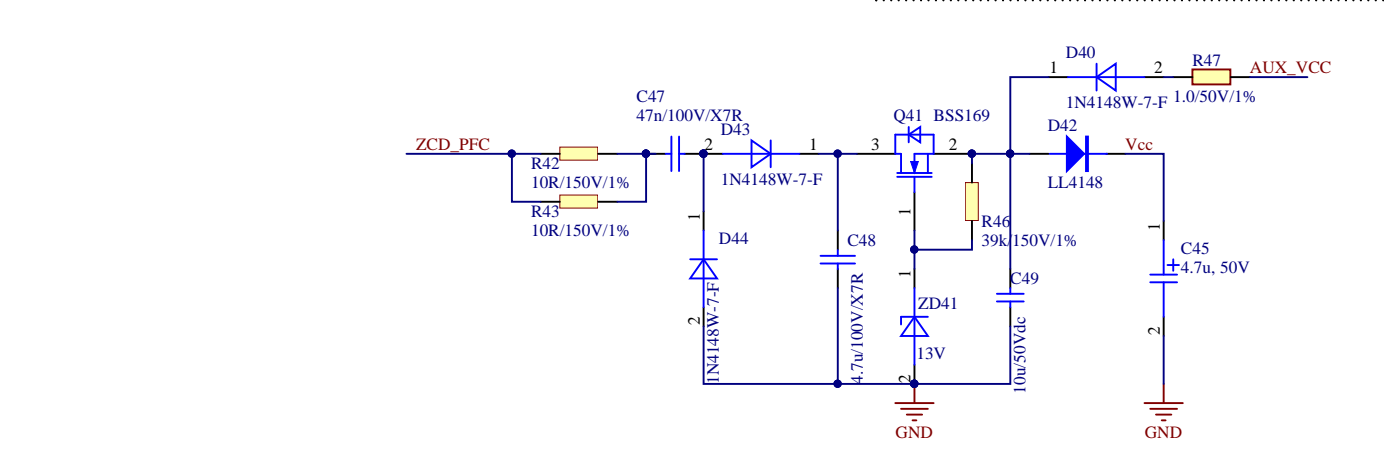
# XDPL8220\_30W\_V32.SchDoc

## FB\_PRI & AUX\_SUPPLY

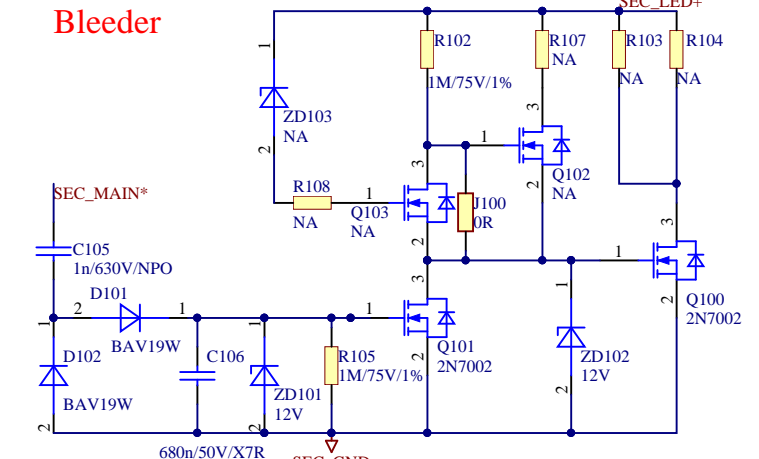
## FB\_SEC



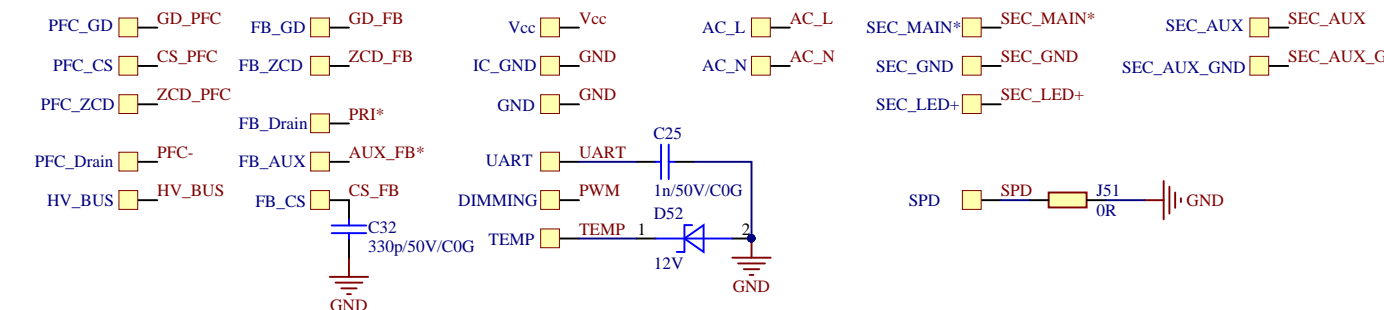
**Note (Components Designator):**  
 a) 1 ~ 99 : Primary components (e.g. Q1, D5)  
 b) 101 ~ 199 : Secondary components (e.g. Q101, D103)  
 c) 201 ~ 299 : Dimming (e.g. Q201, D203)



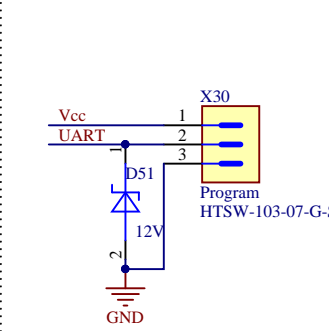
## SEC\_AUX POWER SUPPLY & 3 IN 1 DIMMING



### TEST POINTS



### PROGRAM



		<b>Infineon Technologies AG</b>	
PMM ACDC AE LI		Am Campeon 1-12 - 85579 Neubiberg - Germany	
Title: XDPL8220 FF1 30W			
Variant: [No Variations]		Approved: <Appr.>	
Size: A3	Document Name: XDPL8220_30W_V32.SchDoc	Rel. TJ	Rev. V3.2
Author: TJ			
Date: 30.11.2016		Time: 10:06:33	
SVN Revision: Not in version control		Sheet: 1 of 1	
© Infineon Technologies AG 2014. All Rights Reserved.			