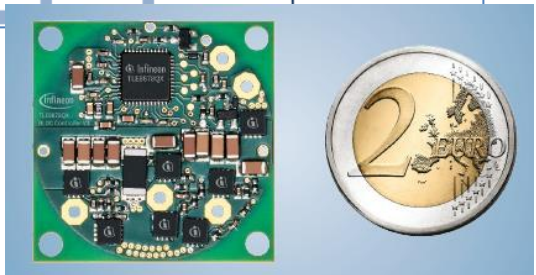
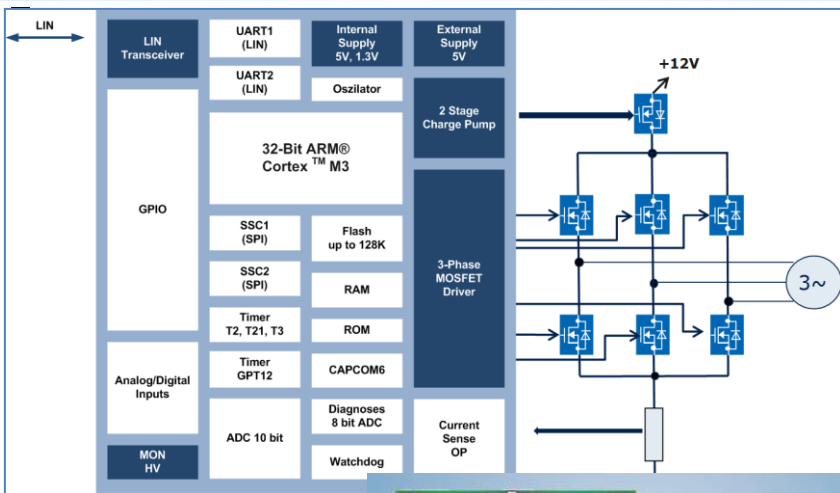


Smallest 3-Phase BLDC Demo



Demo Features

- Exceptional small PCB footprint – only $\varnothing 33\text{mm}$
- Infineon Embedded Power IC TLE987x family
- OptiMOS™ 5 40V in S3O8 package
- Sensor less field oriented control
- Single shunt measurement method
- Motor power up to $\sim 480\text{W}$