

Spansion[®] Analog and Microcontroller Products



The following document contains information on Spansion analog and microcontroller products. Although the document is marked with the name "Fujitsu", the company that originally developed the specification, Spansion will continue to offer these products to new and existing customers.

Continuity of Specifications

There is no change to this document as a result of offering the device as a Spansion product. Any changes that have been made are the result of normal document improvements and are noted in the document revision summary, where supported. Future routine revisions will occur when appropriate, and changes will be noted in a revision summary.

Continuity of Ordering Part Numbers

Spansion continues to support existing part numbers beginning with "MB". To order these products, please use only the Ordering Part Numbers listed in this document.

For More Information

Please contact your local sales office for additional information about Spansion memory, analog, and microcontroller products and solutions.

Colophon

The products described in this document are designed, developed and manufactured as contemplated for general use, including without limitation, ordinary industrial use, general office use, personal use, and household use, but are not designed, developed and manufactured as contemplated (1) for any use that includes fatal risks or dangers that, unless extremely high safety is secured, could have a serious effect to the public, and could lead directly to death, personal injury, severe physical damage or other loss (i.e., nuclear reaction control in nuclear facility, aircraft flight control, air traffic control, mass transport control, medical life support system, missile launch control in weapon system), or (2) for any use where chance of failure is intolerable (i.e., submersible repeater and artificial satellite). Please note that Spansion will not be liable to you and/or any third party for any claims or damages arising in connection with above-mentioned uses of the products. Any semiconductor devices have an inherent chance of failure. You must protect against injury, damage or loss from such failures by incorporating safety design measures into your facility and equipment such as redundancy, fire protection, and prevention of over-current levels and other abnormal operating conditions. If any products described in this document represent goods or technologies subject to certain restrictions on export under the Foreign Exchange and Foreign Trade Law of Japan, the US Export Administration Regulations or the applicable laws of any other country, the prior authorization by the respective government entity will be required for export of those products.

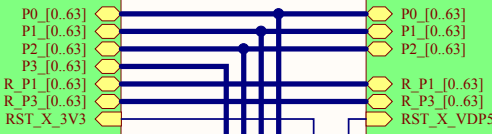
Trademarks and Notice

The contents of this document are subject to change without notice. This document may contain information on a Spansion product under development by Spansion. Spansion reserves the right to change or discontinue work on any product without notice. The information in this document is provided as is without warranty or guarantee of any kind as to its accuracy, completeness, operability, fitness for particular purpose, merchantability, non-infringement of third-party rights, or any other warranty, express, implied, or statutory. Spansion assumes no liability for any damages of any kind arising out of the use of the information in this document.

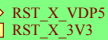
Copyright © 2013 Spansion Inc. All rights reserved. Spansion[®], the Spansion logo, MirrorBit[®], MirrorBit[®] Eclipse[™], ORNAND[™] and combinations thereof, are trademarks and registered trademarks of Spansion LLC in the United States and other countries. Other names used are for informational purposes only and may be trademarks of their respective owners.

U_07_ebi_hsspi_ports
07_ebi_hsspi_ports.SchDoc

U_06_connectors
06_connectors.SchDoc

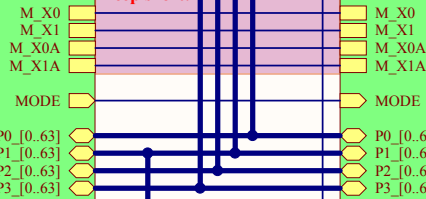


U_05_power
05_power.SchDoc



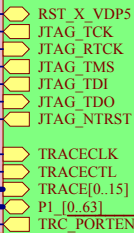
U_02_atlas-l-trace
02_atlas-l-trace.SchDoc

U_03_atlas-l-small
03_atlas-l-small.SchDoc



40MHz JTAG_*,
80MHz TRACE*
all
length-matched,
all as short as
possible.

U_04_trace_debug
04_trace_debug.SchDoc



History

Doc Rev.:

0.1:

0.2::

Changes:

- initial version derived from SK-MB9DF120-001 (Atlas SK)
- reviewed, ready for layout
- TRACECTL and TRACECLK switched at QFP240 package
- C41 connection to MCU pin 185 removed, pin 185 used for C15
- Pin 120 and 181 moved in Library for QFP240
- Pin 23 corrected in library from P0_15 to P1_15 for QFP176
- Verified Q2 description and AVR557 / AVDD5 tFaces (junction)
- Added damping resistor to Q2 / X1
- Buffer pullup changed to 3V3
- Modified Pinout for Tracechip due to design changes

0.2:

```

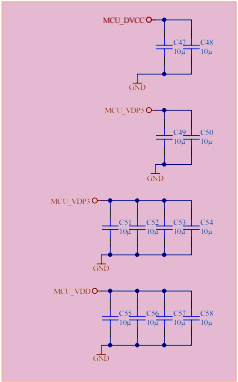
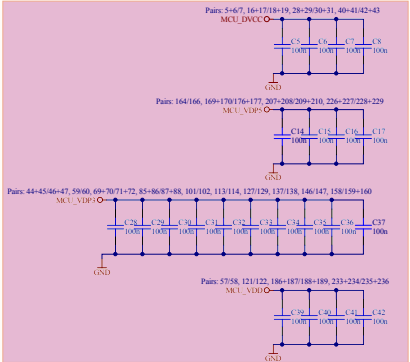
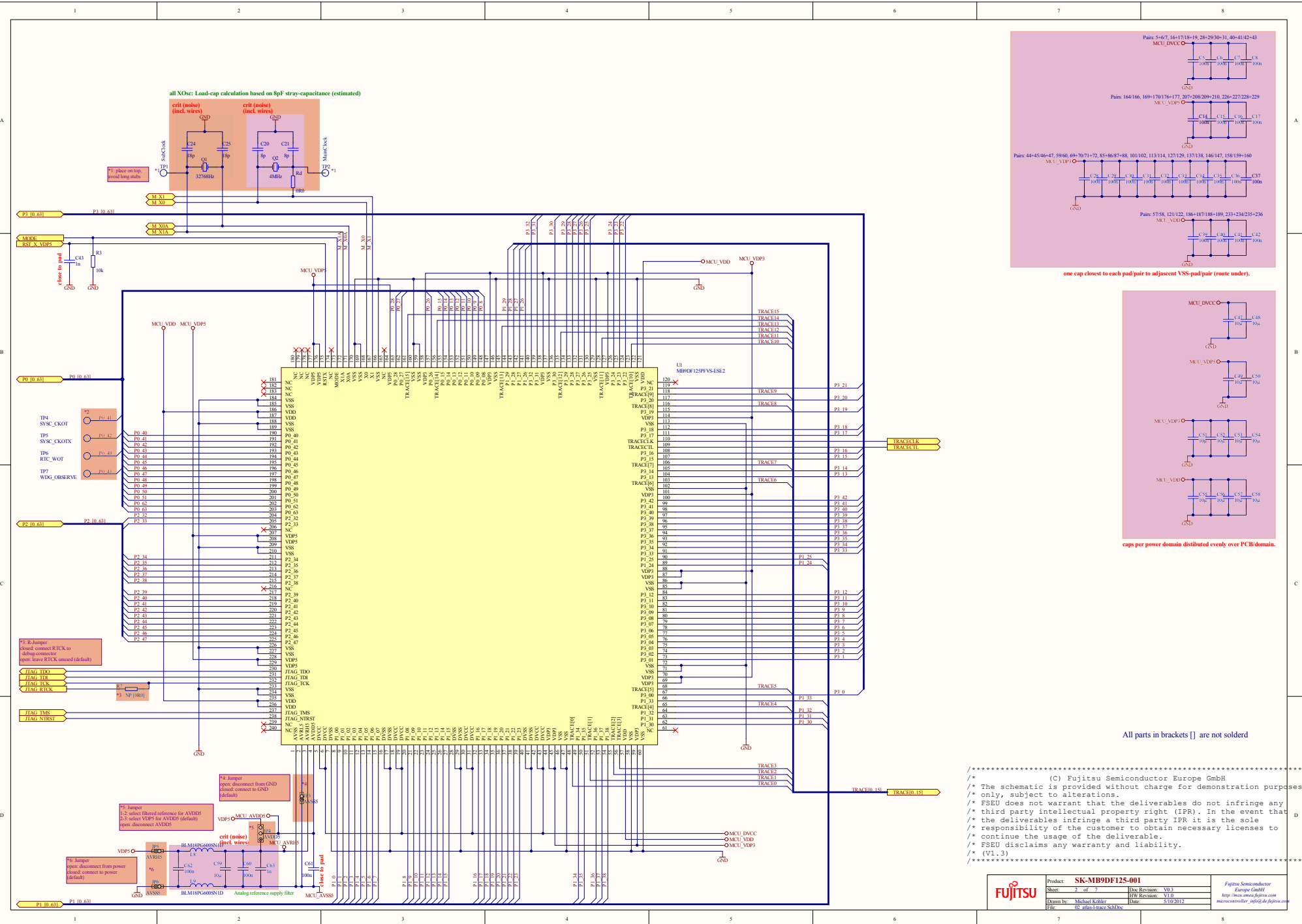
/*****
/*                               (C) Fujitsu Semiconductor Europe GmbH                               */
/* The schematic is provided without charge for demonstration purposes */
/* only, subject to alterations. */
/* FSEU does not warrant that the deliverables do not infringe any */
/* third party intellectual property right (IPR). In the event that */
/* the deliverables infringe a third party IPR it is the sole */
/* responsibility of the customer to obtain necessary licenses to */
/* continue the usage of the deliverable. */
/* FSEU disclaims any warranty and liability. */
/* (V1.3) */
/*****

```



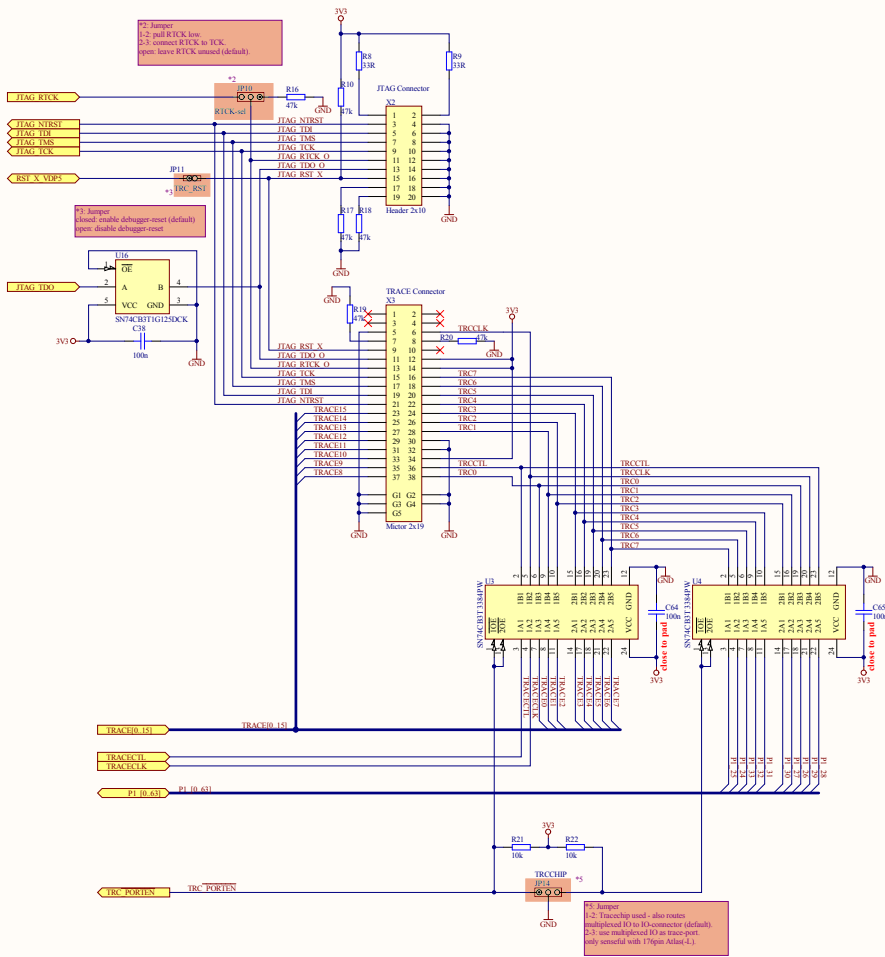
Product:	SK-MB9DF125-001	
Sheet:	1 of 7	Doc Revision: V0.3
Drawn by:	Michael Köhler	HW Revision: V1.0
File:	01_overview.SchDoc	Date: 5/10/2012

Fujitsu Semiconductor
Europe GmbH
<http://mcu.emea.fujitsu.com>
microcontroller_info@de.fujitsu.com



/*****
 (C) Fujitsu Semiconductor Europe GmbH
 * The schematic is provided without charge for demonstration purposes
 * only, subject to alterations.
 * FSEU does not warrant that the deliverables do not infringe any
 * third party intellectual property right (IPR). In the event that
 * the deliverables infringe a third party IPR it is the sole
 * responsibility of the customer to obtain necessary licenses to
 * continue the usage of the deliverable.
 * FSEU disclaims any warranty and liability.
 * (V1.5)

Product: SK-MB9DF125-001		Fujitsu Semiconductor Europe GmbH	
Sheet: 2 of 7	Doc Revision: V0.1	http://www.fujitsu.com	
Drawn by: Michael Köhler	HW Revision: V1.0	microcontroller_office@fujitsu.com	
File: 02_ataftrace_schdoc	Date: 2.10.2012		



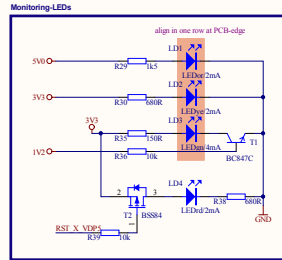
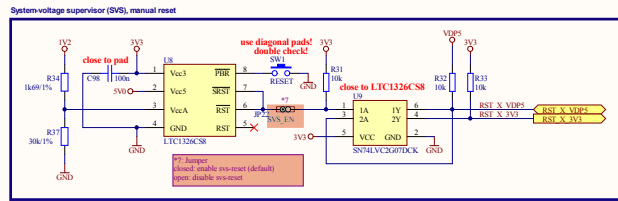
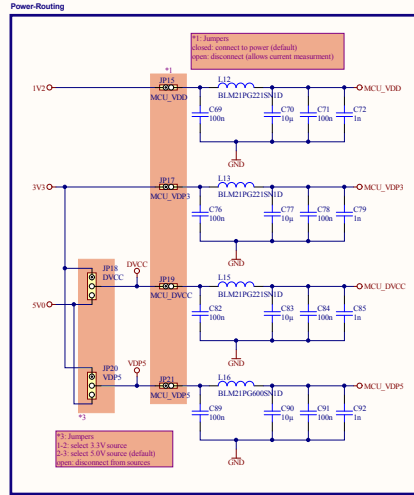
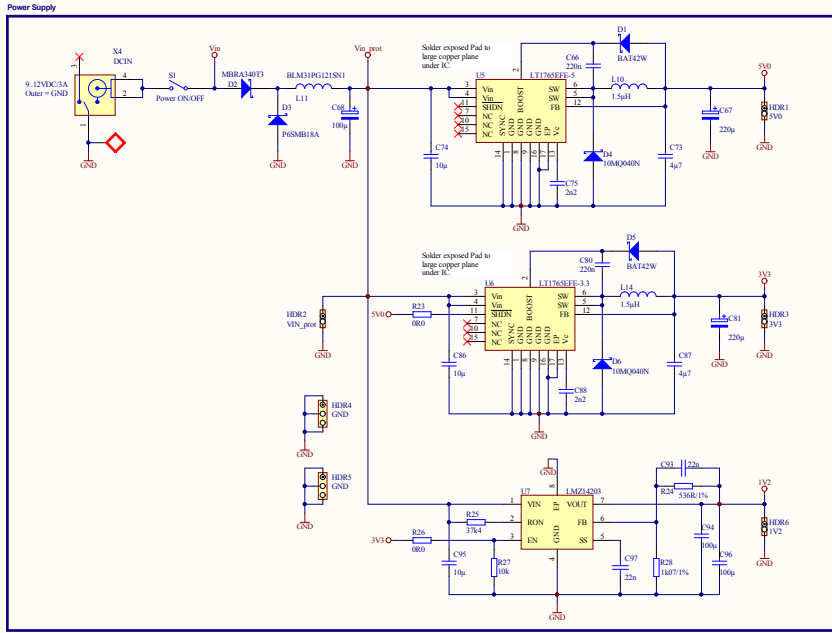
All parts in brackets [] are not soldered

```

/*****
/*
/* (C) Fujitsu Semiconductor Europe GmbH
/* The schematic is provided without charge for demonstration purposes
/* only, subject to alterations.
/* FSEU does not warrant that the deliverables do not infringe any
/* third party intellectual property right (IPR). In the event that
/* the deliverables infringe a third party IPR it is the sole
/* responsibility of the customer to obtain necessary licenses to
/* continue the usage of the deliverable.
/* FSEU disclaims any warranty and liability.
/* (V1.3)
*****/

```

FUJITSU	Product: SK-MB9DF125-001	<i>Fujitsu Semiconductor Europe GmbH</i>	
	Sheet: 4 of 7	Doc Revision: V01	http://www.fujitsu.com
	Drawn by: Michael Köhler	HW Revision: V1.0	microcontroller_peripherals_fujitsu.com
	File: 04_trace_debug_S&D.doc	Date: 2.10.2012	

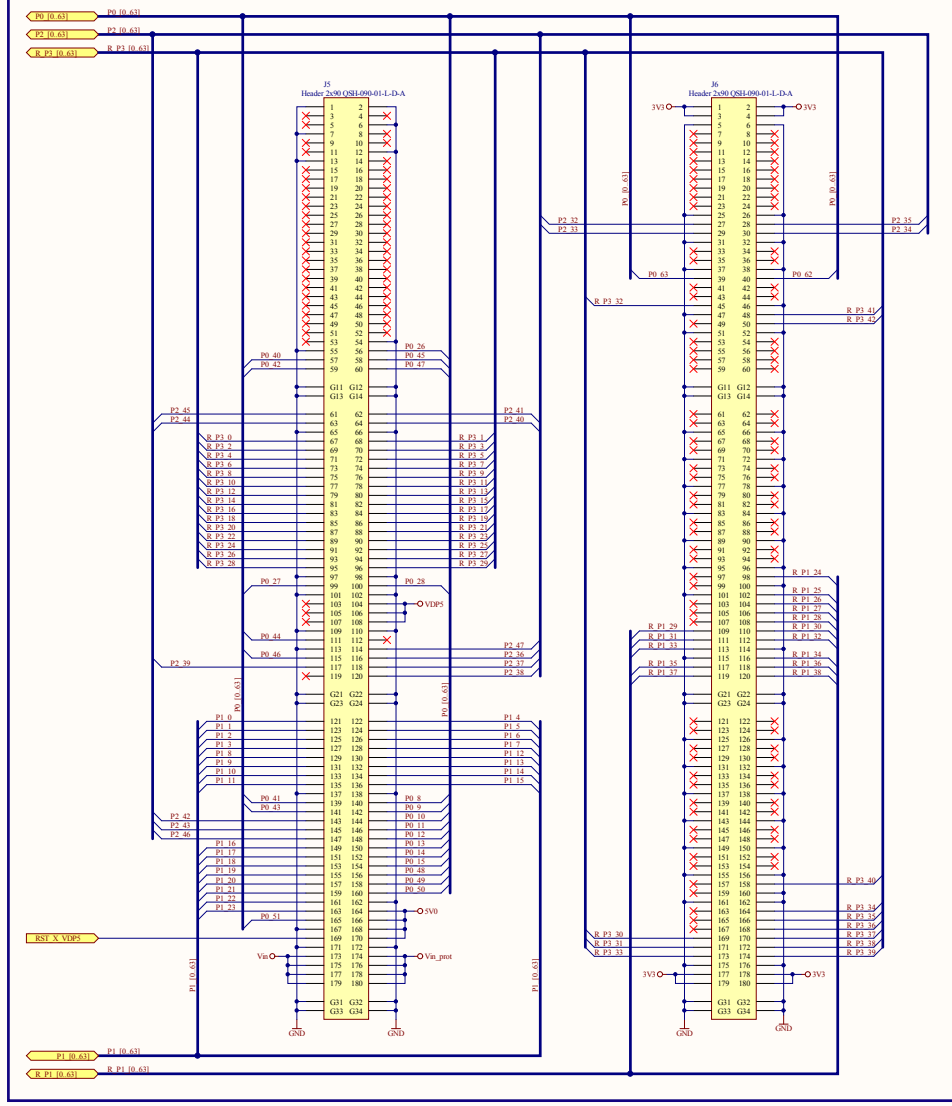


 /* (C) Fujitsu Semiconductor Europe GmbH */
 /* The schematic is provided without charge for demonstration purposes */
 /* only, subject to alterations. */
 /* FSEU does not warrant that the deliverables do not infringe any */
 /* third party intellectual property right (IPR). In the event that */
 /* the deliverables infringe a third party IPR it is the sole */
 /* responsibility of the customer to obtain necessary licenses to */
 /* continue the usage of the deliverable. */
 /* FSEU disclaims any warranty and liability. */
 /* (V1.3) */

All parts in brackets [] are not soldered

	Product: SK-MB9DF125-001	Fujitsu Semiconductor	
	Sheet: 5 of 7	Doc Revision: V01	Europe GmbH
	Drawn by: Michael Köhler	HW Revision: V1.0	http://www.mps.fujitsu.com
	File: 05_pwrer_Sch13c	Date: 3.10.2012	microcontroller_peripherals_fujitsu.com

Multi-IO Connectors



```

/****
/* (C) Fujitsu Semiconductor Europe GmbH
/* The schematic is provided without charge for demonstration purposes
/* only, subject to alterations.
/* FSEU does not warrant that the deliverables do not infringe any
/* third party intellectual property right (IPR). In the event that
/* the deliverables infringe a third party IPR it is the sole
/* responsibility of the customer to obtain necessary licenses to
/* continue the usage of the deliverable.
/* FSEU disclaims any warranty and liability.
/* (V1.3)
/****

```

All parts in brackets [] are not soldered

	Product: SK-MB9DF125-001		<i>Fujitsu Semiconductor Europe GmbH</i> http://www.europe.fujitsu.com microconnector_europe@eu.fujitsu.com
	Sheet: 6 of 7	Doc Revision: V01	
	Drawn by: Michael Köhler	HW Revision: V1.0	
	File: 06_connector_SKB.doc	Date: 2.10.2012	

