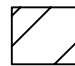
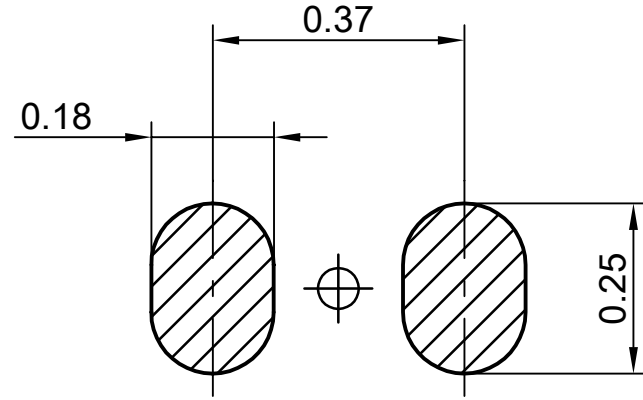


 copper

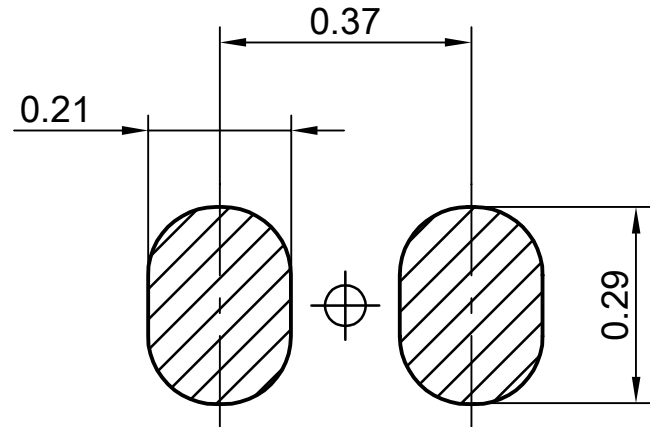
 solder mask

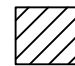
ALL DIMENSIONS ARE IN UNITS MM

STENCIL THICKNESS <80UM



STENCIL THICKNESS 80UM



 stencil apertures