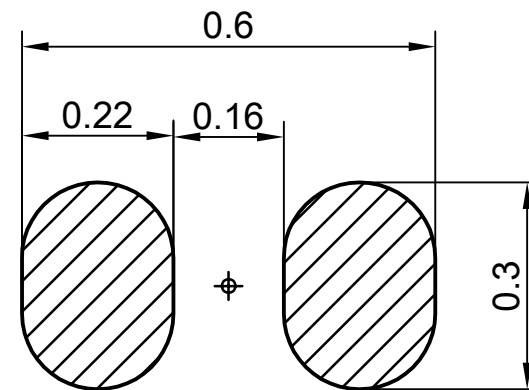
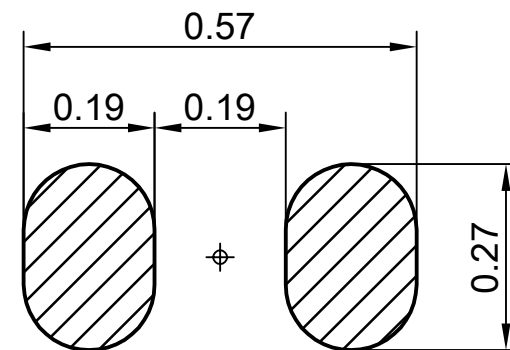


SMD: NOT RECOMMENDED



STENCIL THICKNESS 100UM



STENCIL THICKNESS 90UM



ALL DIMENSIONS ARE IN UNITS MM