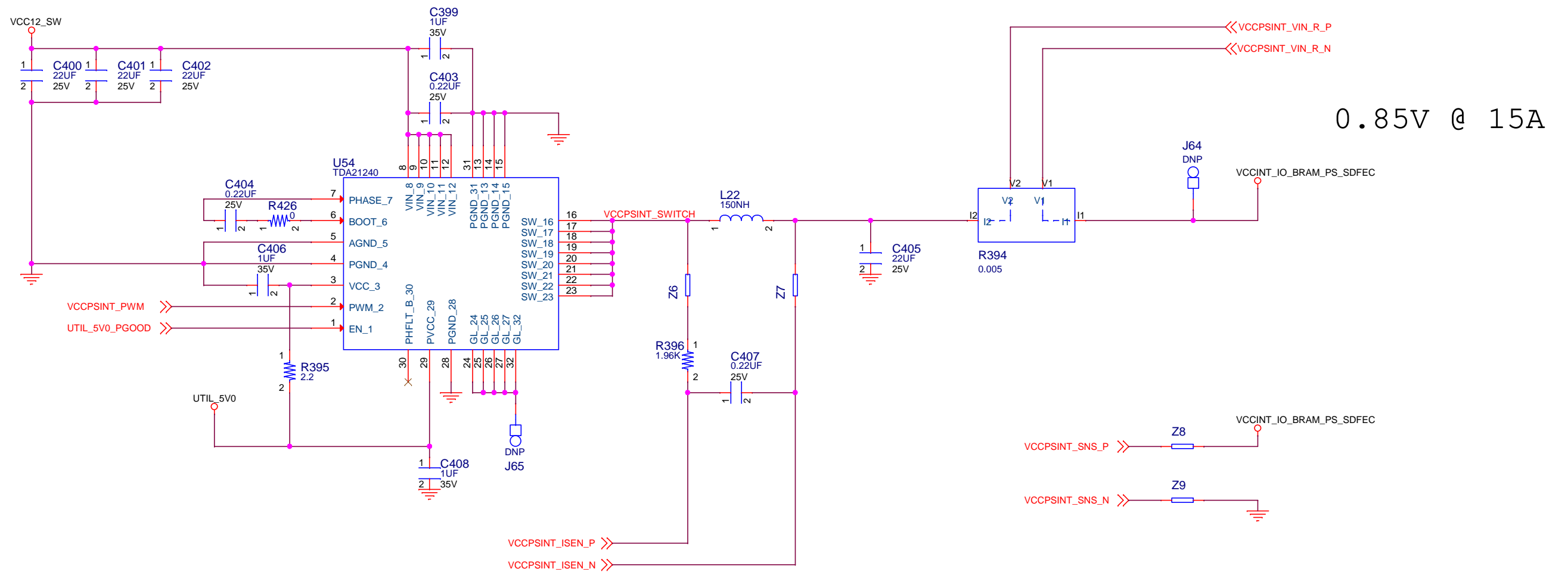


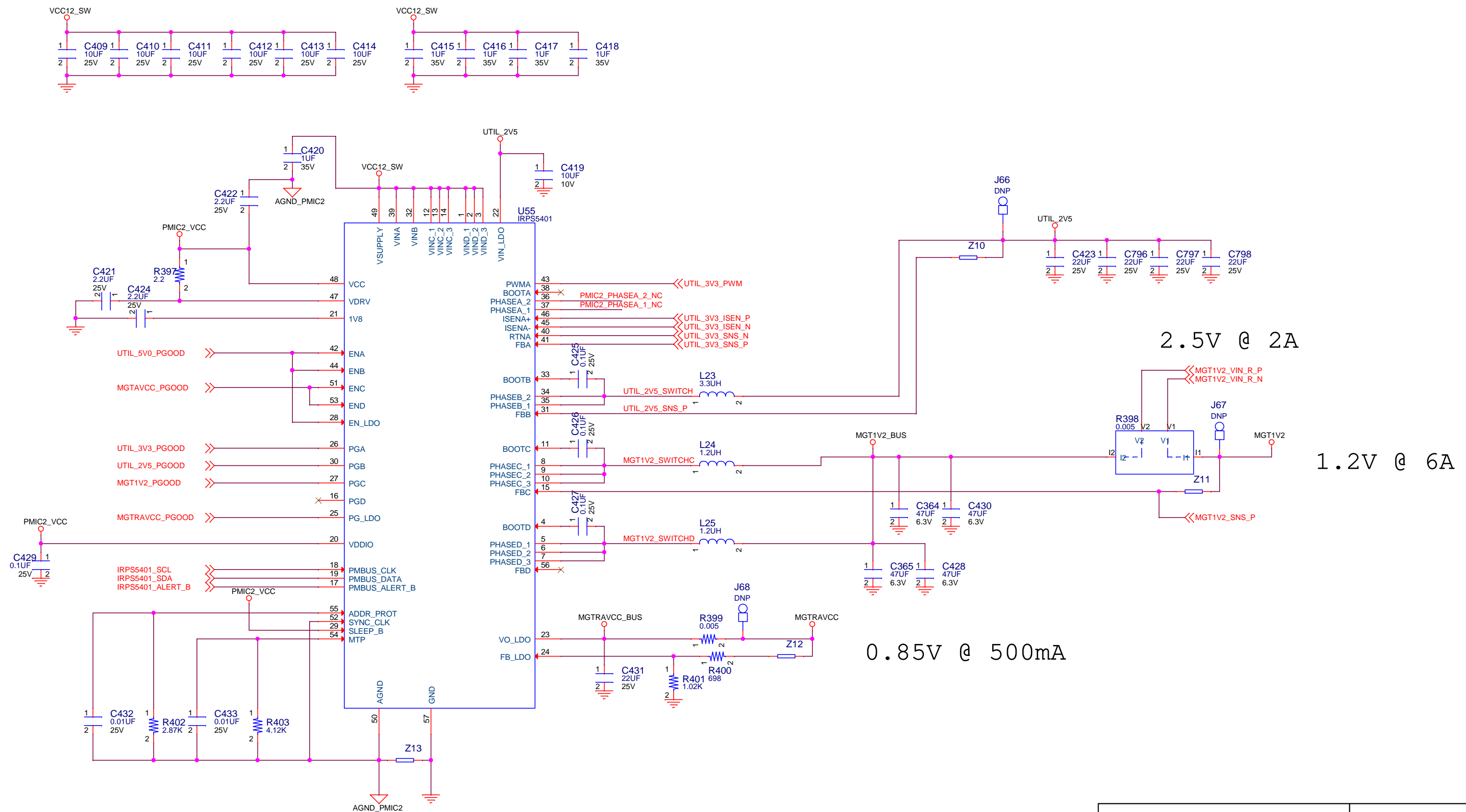
7-BIT PMBUS ADDR: 0x43

7-BIT I2C ADDR: 0x13

		PCB P/N : 1280976 ASSY P/N : 0432076 TEST P/N : TSS0192	
Title:		HW-Z1-ZCU111 047 PMIC 1	
Size B	Date Modified: Monday, November 27, 2017	Document Number: 0381811	Rev A
Engineer: BF		Sheet 47 of 75	

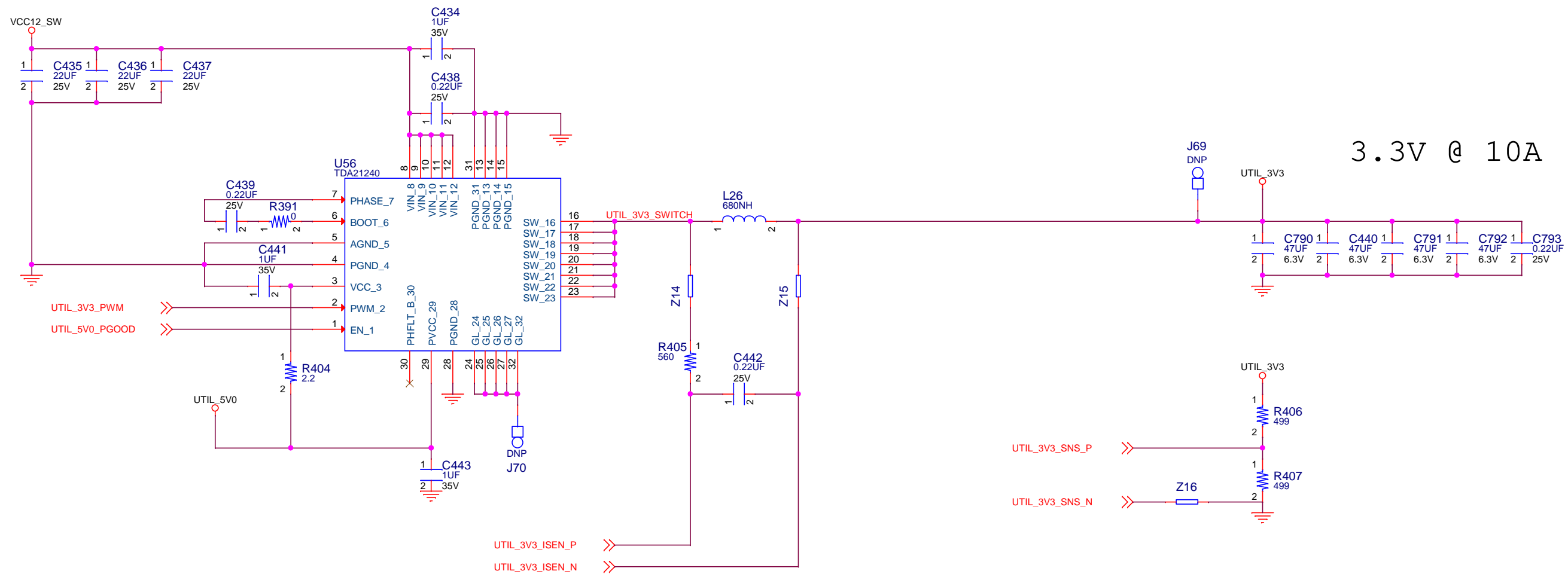


		PCB P/N : 1280976 ASSY P/N : 0432076 TEST P/N : TSS0192	
Title: HW-Z1-ZCU111 048 PMIC 1 Power Stage			
Size B	Date Modified: Monday, November 27, 2017	Document Number: 0381811	Rev A
Engineer: BF		Sheet 48 of 75	

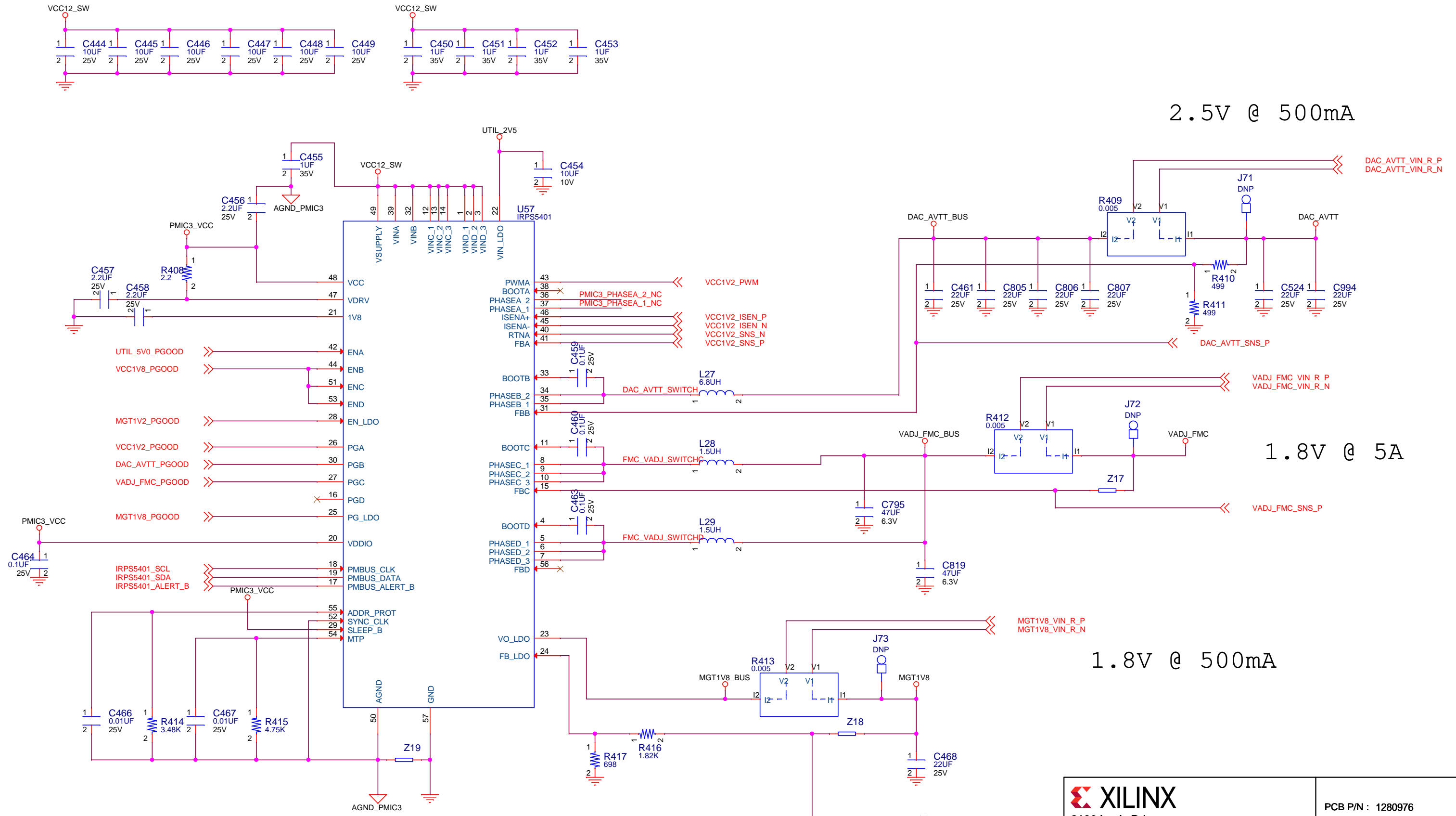


7-BIT PMBUS ADDR: 0x44
 7-BIT I2C ADDR: 0x14

		PCB P/N : 1280976 ASSY P/N : 0432076 TEST P/N : TSS0192	
Title:		HW-Z1-ZCU111 049 PMIC 2	
Size B	Date Modified: Monday, November 27, 2017	Document Number: 0381811	Rev A
Engineer: BF		Sheet 49 of 75	



		PCB P/N : 1280976 ASSY P/N : 0432076 TEST P/N : TSS0192	
Title: HW-Z1-ZCU111 050 PMIC 2 Power Stage			
Size B	Date Modified: Monday, November 27, 2017	Document Number: 0381811	Rev A
Engineer: BF		Sheet 50 of 75	



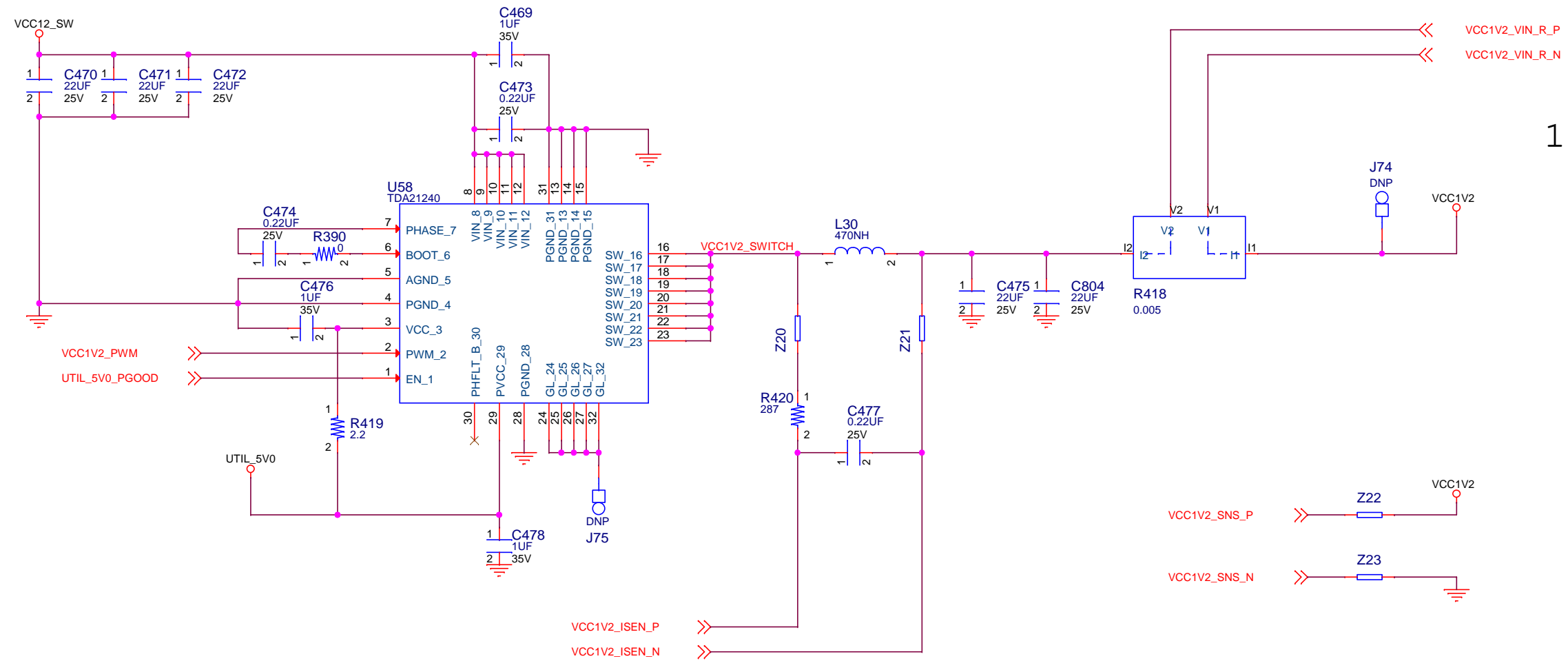
2.5V @ 500mA

1.8V @ 5A

1.8V @ 500mA

7-BIT PMBUS ADDR: 0x45
 7-BIT I2C ADDR: 0x15

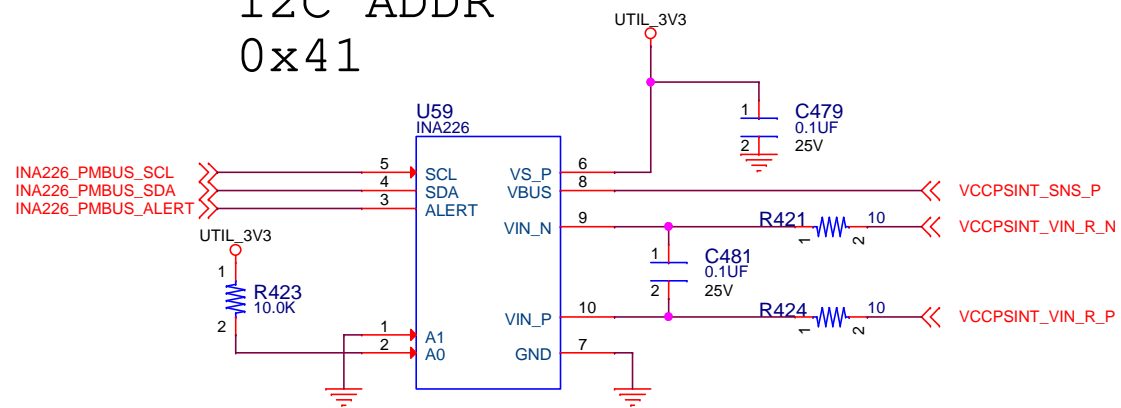
		PCB P/N : 1280976 ASSY P/N : 0432076 TEST P/N : TSS0192	
Title:		HW-Z1-ZCU111 051 PMIC 3	
Size B	Date Modified: Monday, November 27, 2017	Document Number: 0381811	Rev A
Engineer: BF		Sheet 51 of 75	



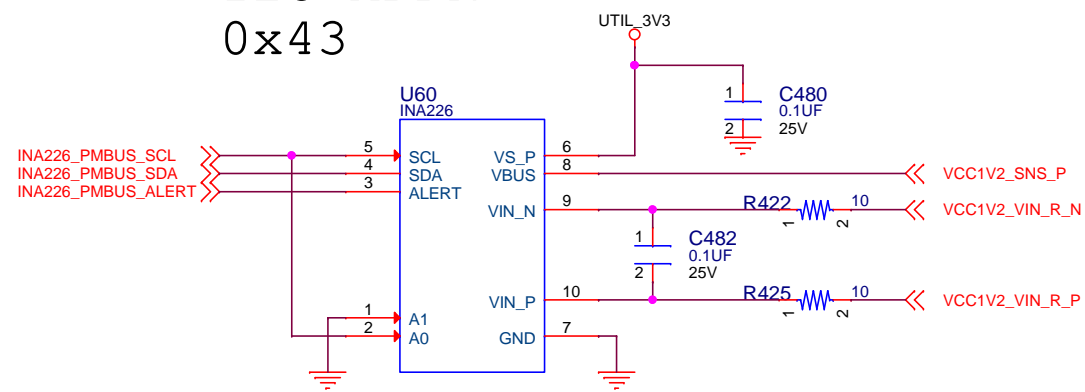
1.2V @ 6A

		PCB P/N : 1280976 ASSY P/N : 0432076 TEST P/N : TSS0192	
Title: HW-Z1-ZCU111 052 PMIC 3 Power Stage			
Size B	Date Modified: Monday, November 27, 2017	Document Number: 0381811	Rev A
Engineer: BF		Sheet 52 of 75	

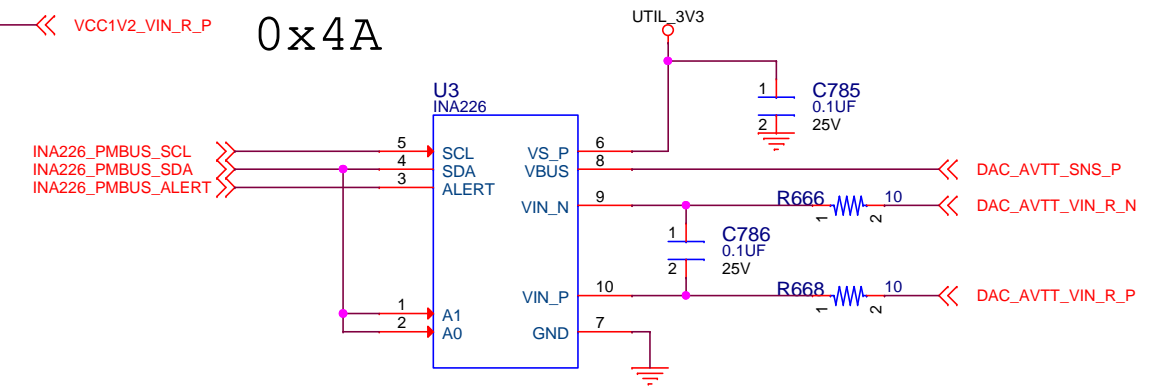
I2C ADDR
0x41



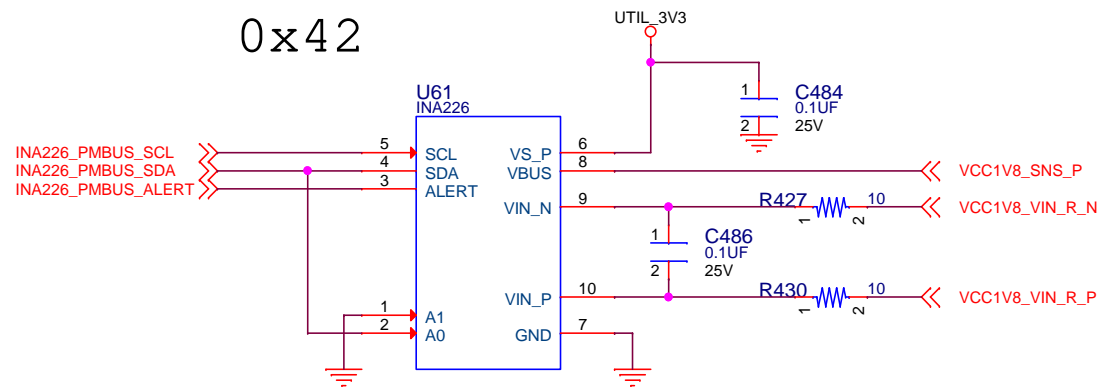
I2C ADDR
0x43



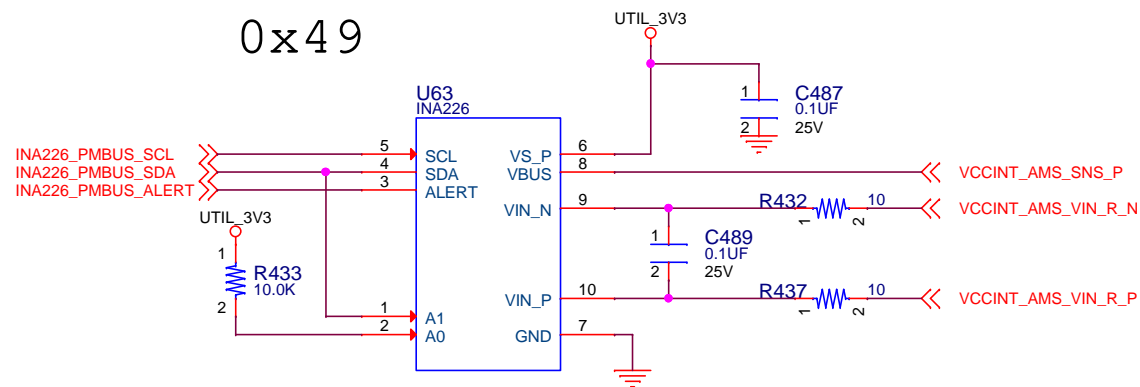
I2C ADDR
0x4A



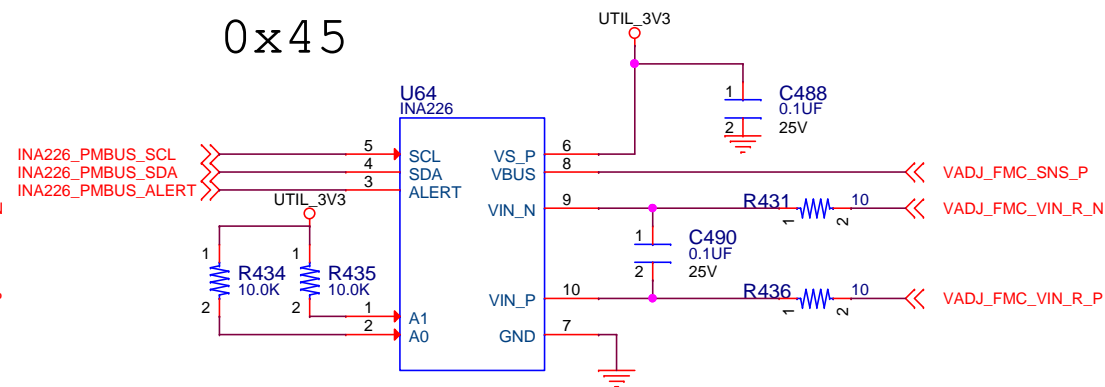
I2C ADDR
0x42



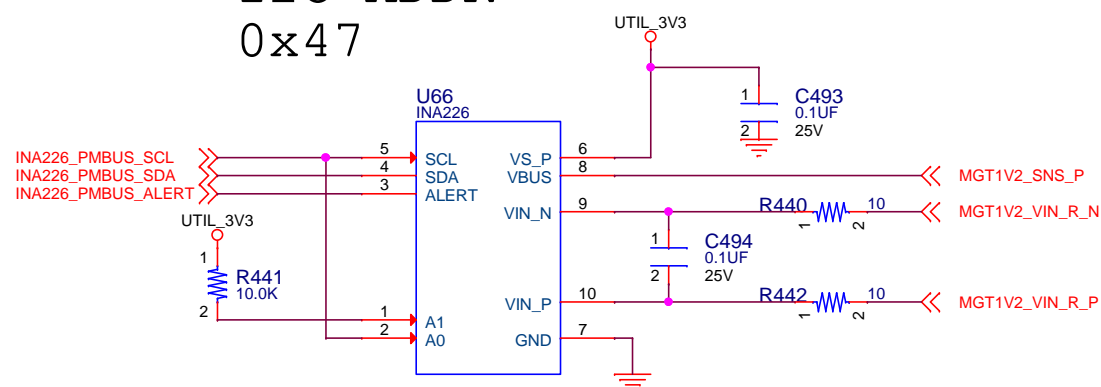
I2C ADDR
0x49



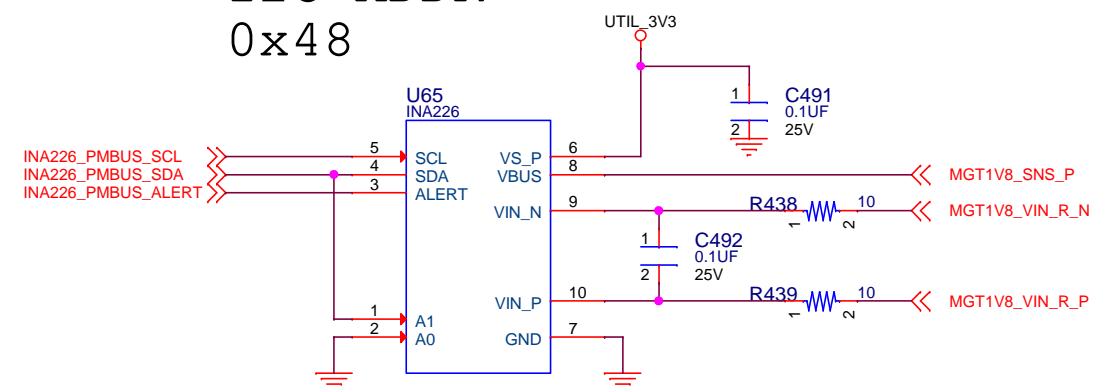
I2C ADDR
0x45



I2C ADDR
0x47

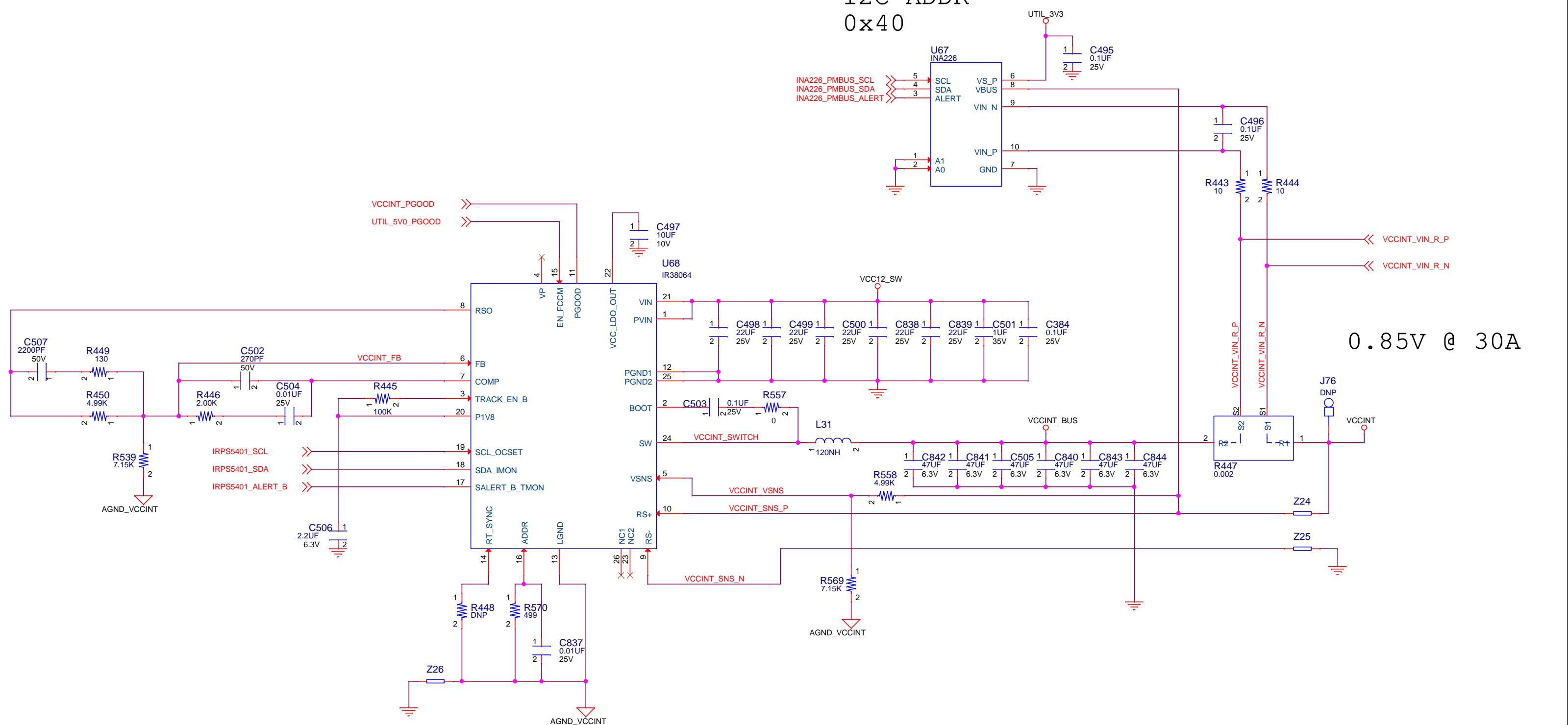


I2C ADDR
0x48



		PCB P/N : 1280976 ASSY P/N : 0432076 TEST P/N : TSS0192	
Title: HW-Z1-ZCU111 053 PMIC Current Sense			
Size B	Date Modified: Monday, November 27, 2017	Document Number: 0381811	Rev A
Engineer: BF		Sheet 53 of 75	

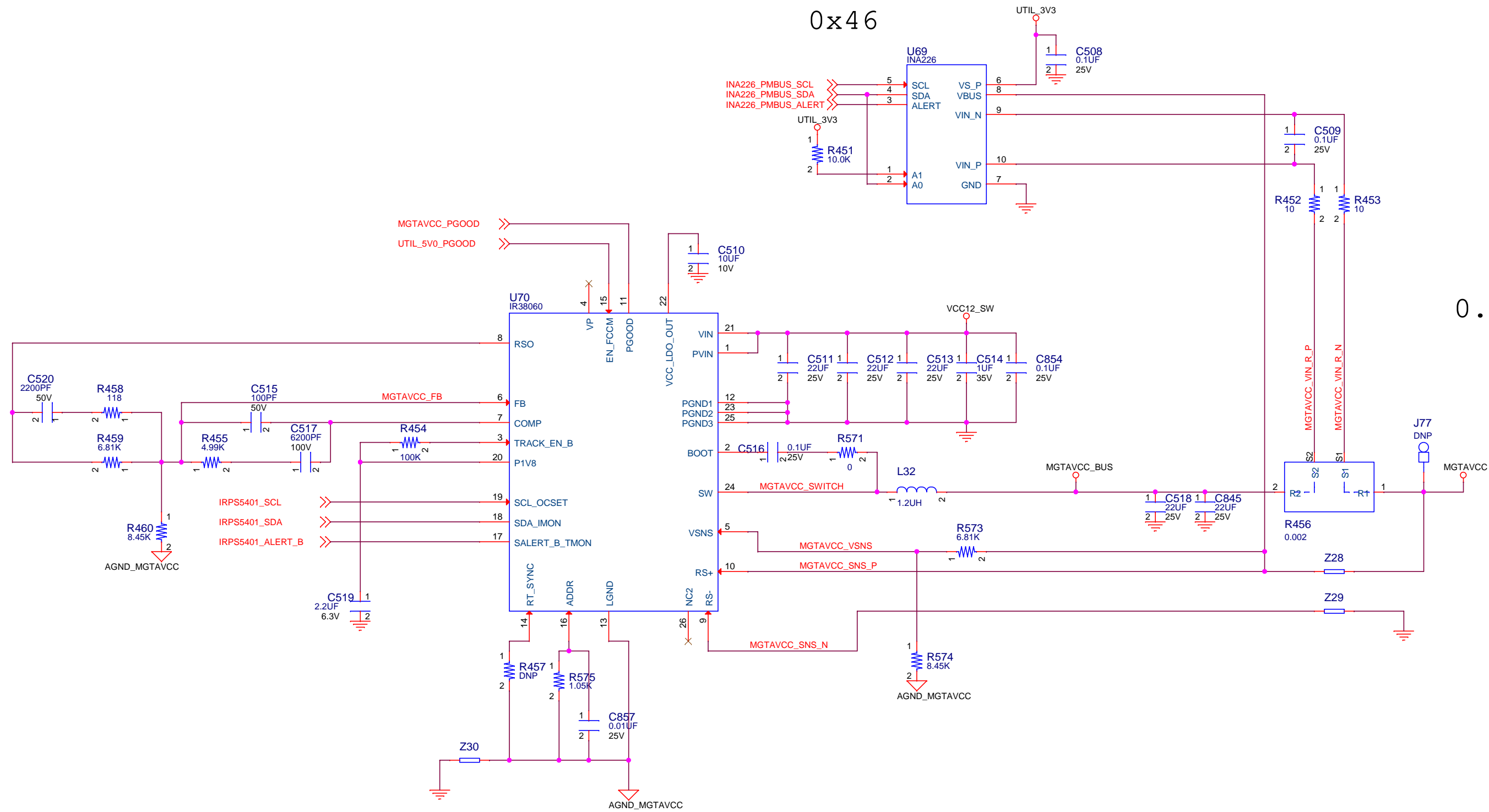
I2C ADDR
0x40



0.85V @ 30A

		PCB P/N : 1280976 ASSY P/N : 0432076 TEST P/N : TSS0192	
Title: HW-Z1-ZCU111 054 VCCINT 30A Regulator			
Size B	Date Modified: Monday, November 27, 2017	Document Number: 0381811	Rev A
Engineer: BF		Sheet 54 of 75	

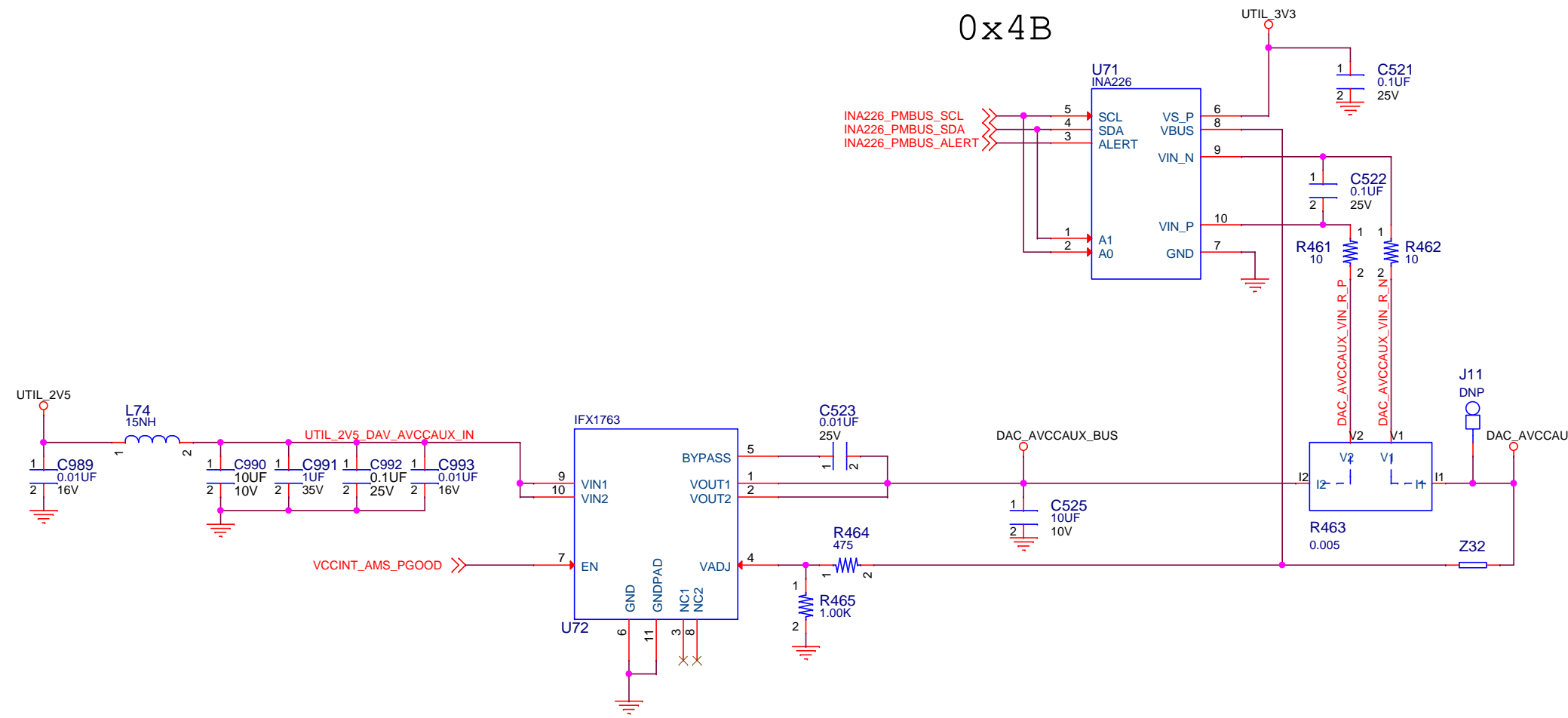
I2C ADDR
0x46



0.9V @ 3A

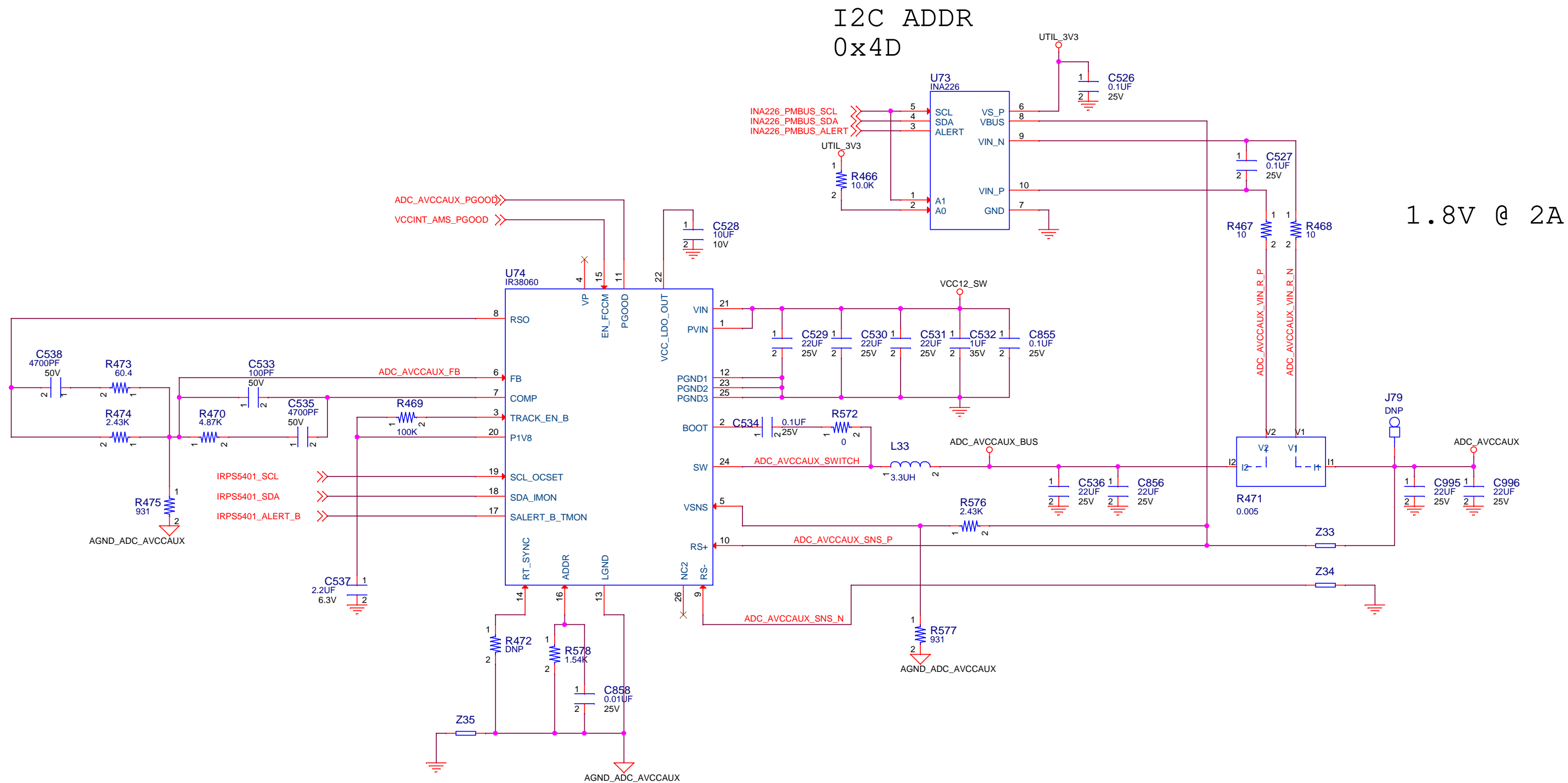
		PCB P/N : 1280976 ASSY P/N : 0432076 TEST P/N : TSS0192	
Title: HW-Z1-ZCU111 055 MGTAVCC 3A Regulator			
Size B	Date Modified: Monday, November 27, 2017	Document Number: 0381811	Rev A
Engineer: BF		Sheet 55 of 75	

I2C ADDR
0x4B

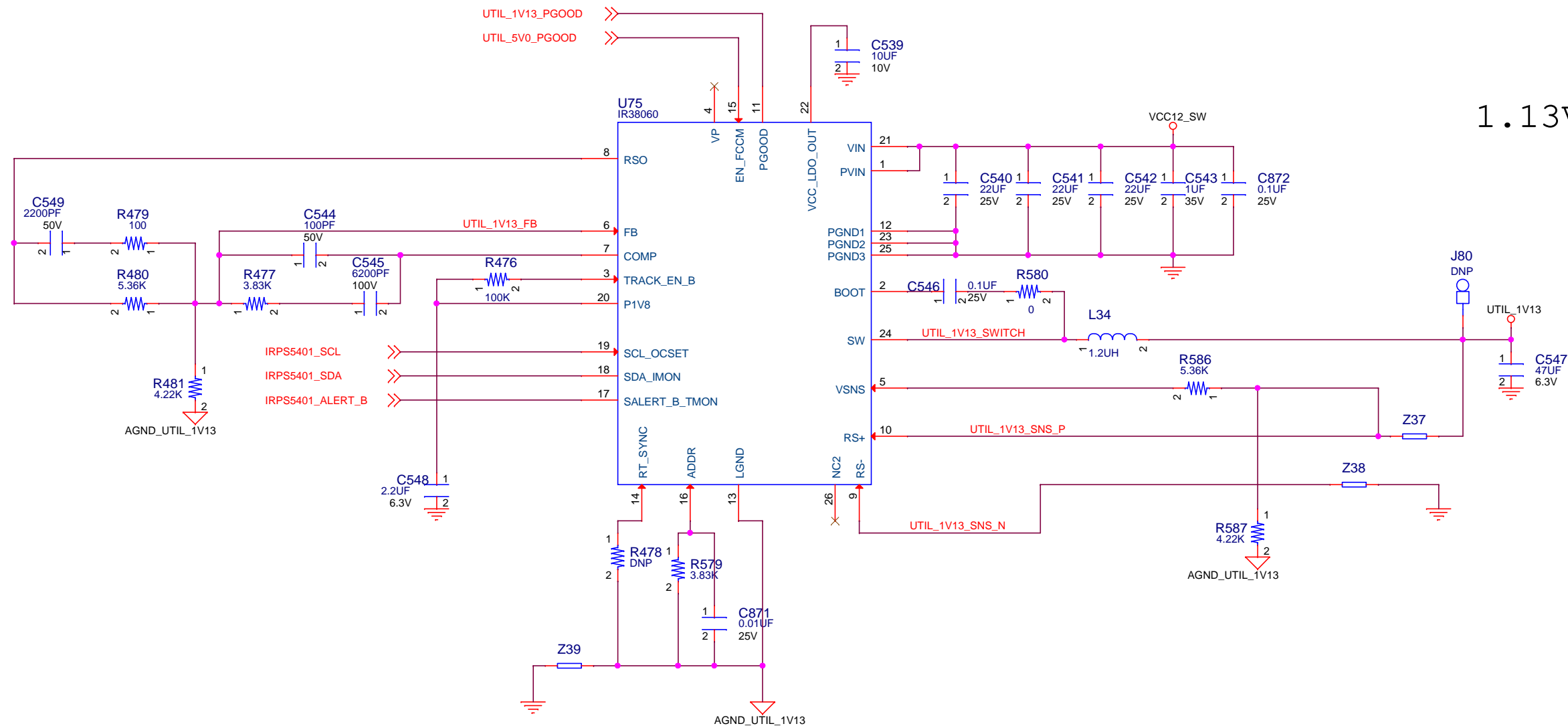


1.8V @ 500mA

		PCB P/N : 1280976 ASSY P/N : 0432076 TEST P/N : TSS0192	
Title: HW-Z1-ZCU111 056 DAC_AVCCAUX 500mA Regulator			
Size B	Date Modified: Monday, November 27, 2017	Document Number: 0381811	Rev A
Engineer: BF		Sheet 56 of 75	



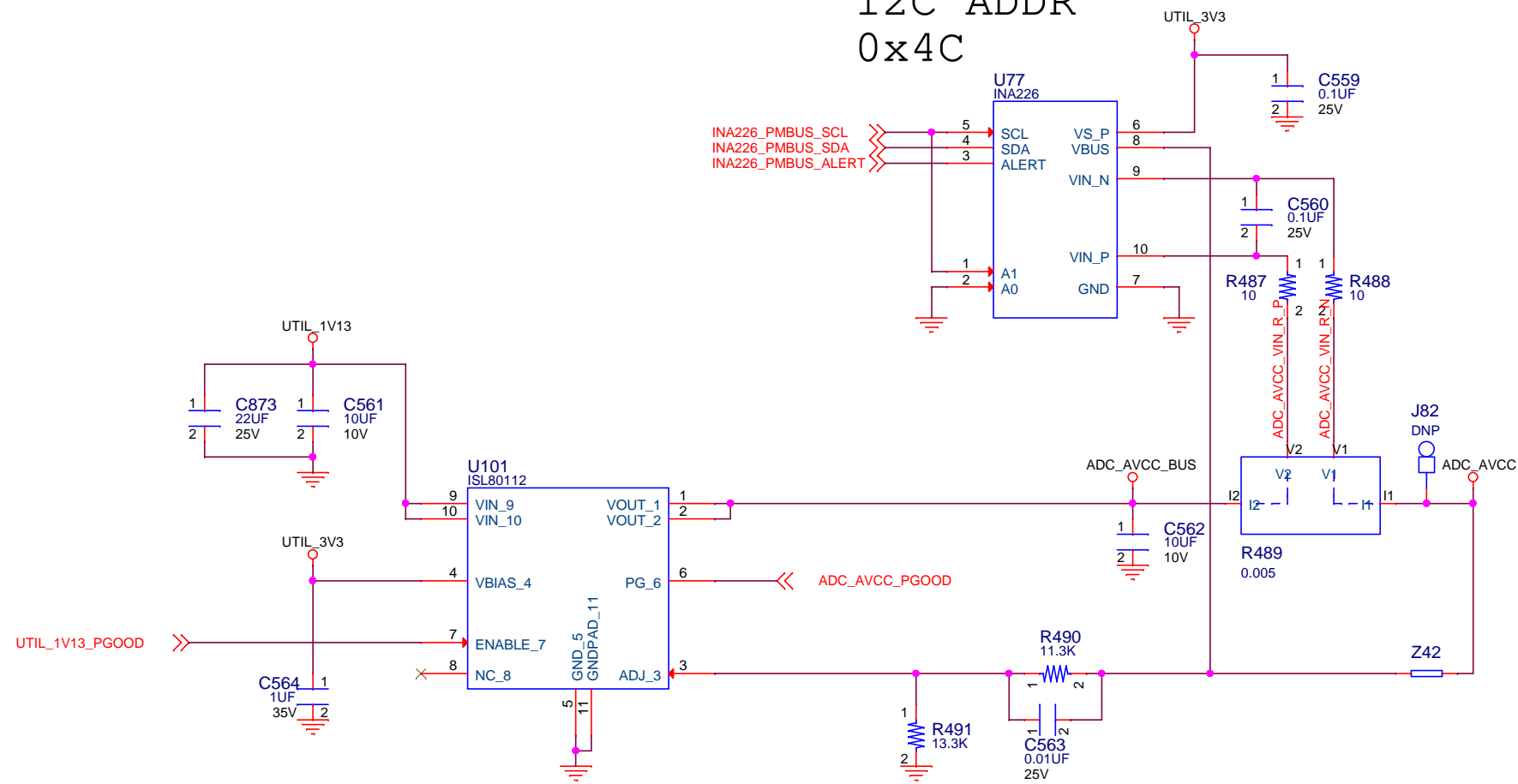
		PCB P/N : 1280976 ASSY P/N : 0432076 TEST P/N : TSS0192	
Title: HW-Z1-ZCU111 057 ADC_AVCCAUX 2A Regulator			
Size B	Date Modified: Monday, November 27, 2017	Document Number: 0381811	Rev A
Engineer: BF		Sheet 57 of 75	



1.13V @ 4A

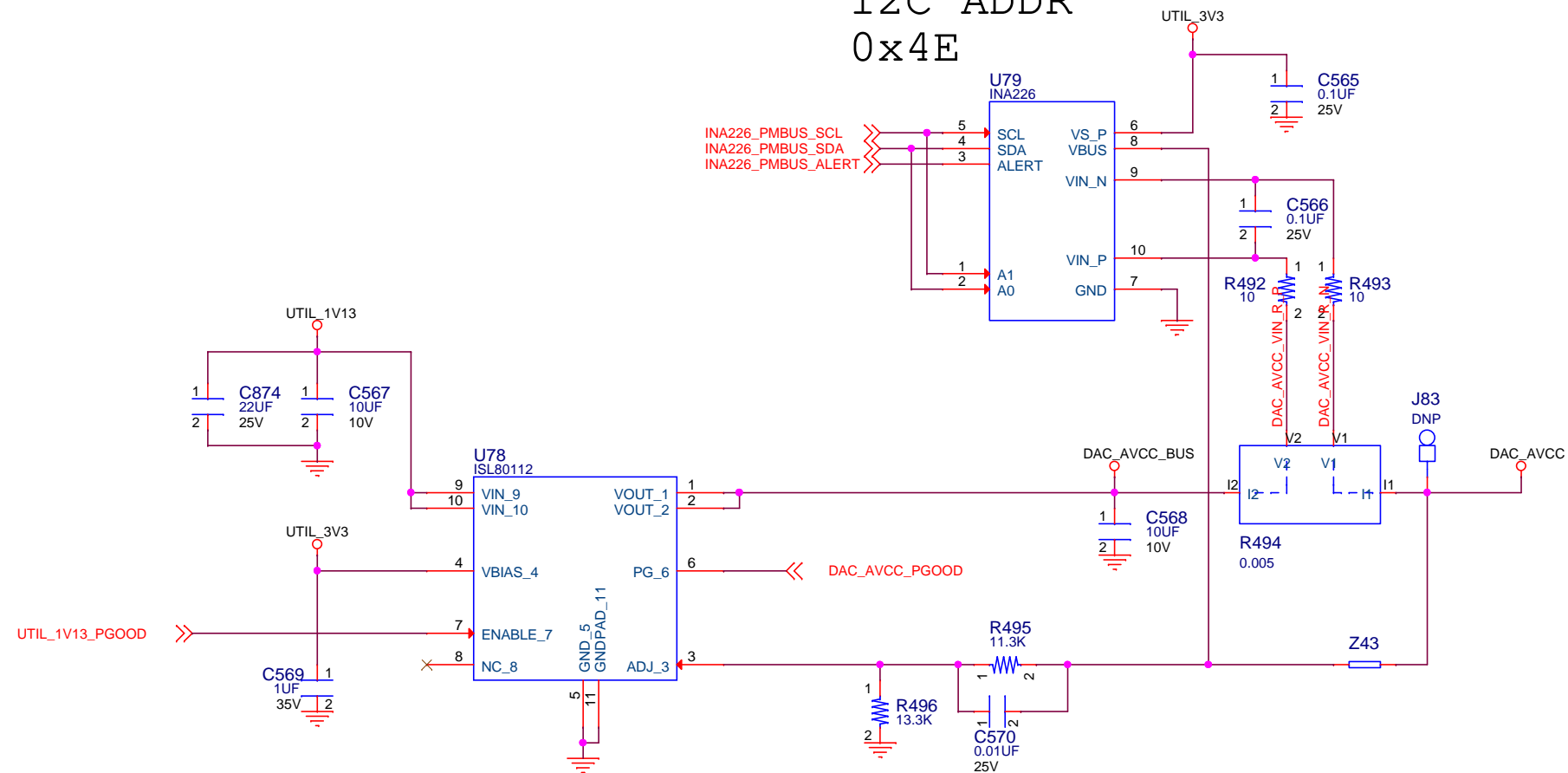
		PCB P/N : 1280976 ASSY P/N : 0432076 TEST P/N : TSS0192	
Title: HW-Z1-ZCU111 058 UTIL_1V13 4A Regulator			
Size B	Date Modified: Monday, November 27, 2017	Document Number: 0381811	Rev A
Engineer: BF		Sheet 58 of 75	

I2C ADDR
0x4C



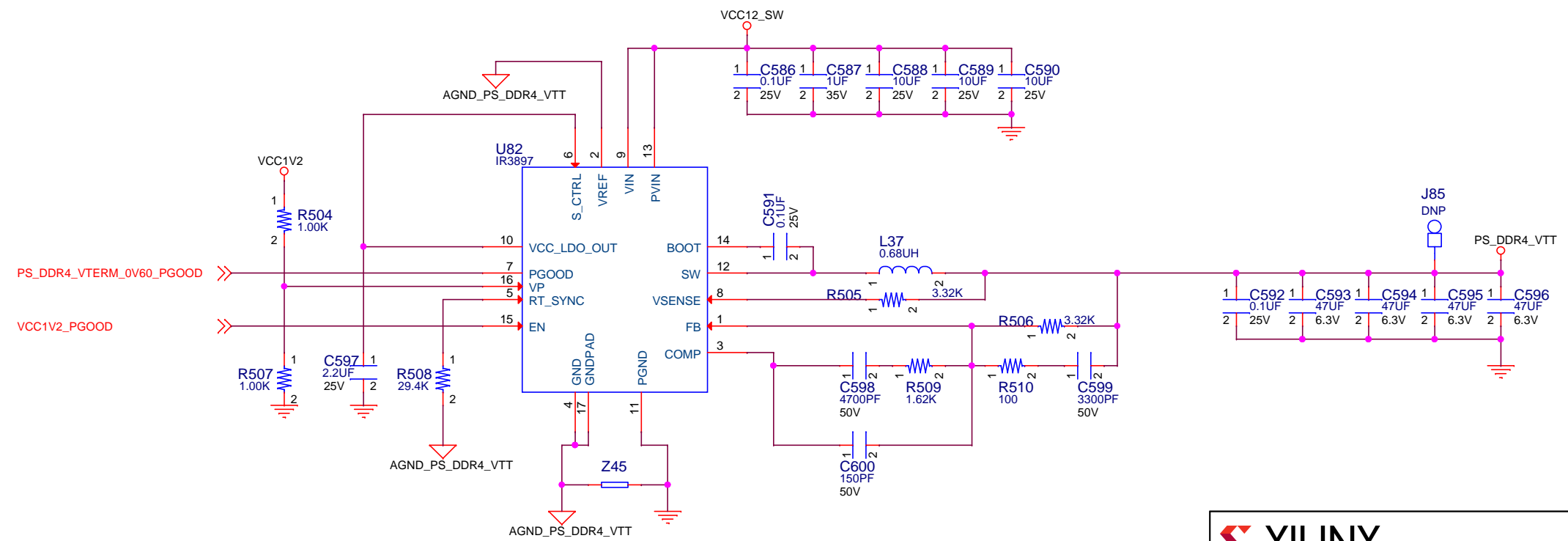
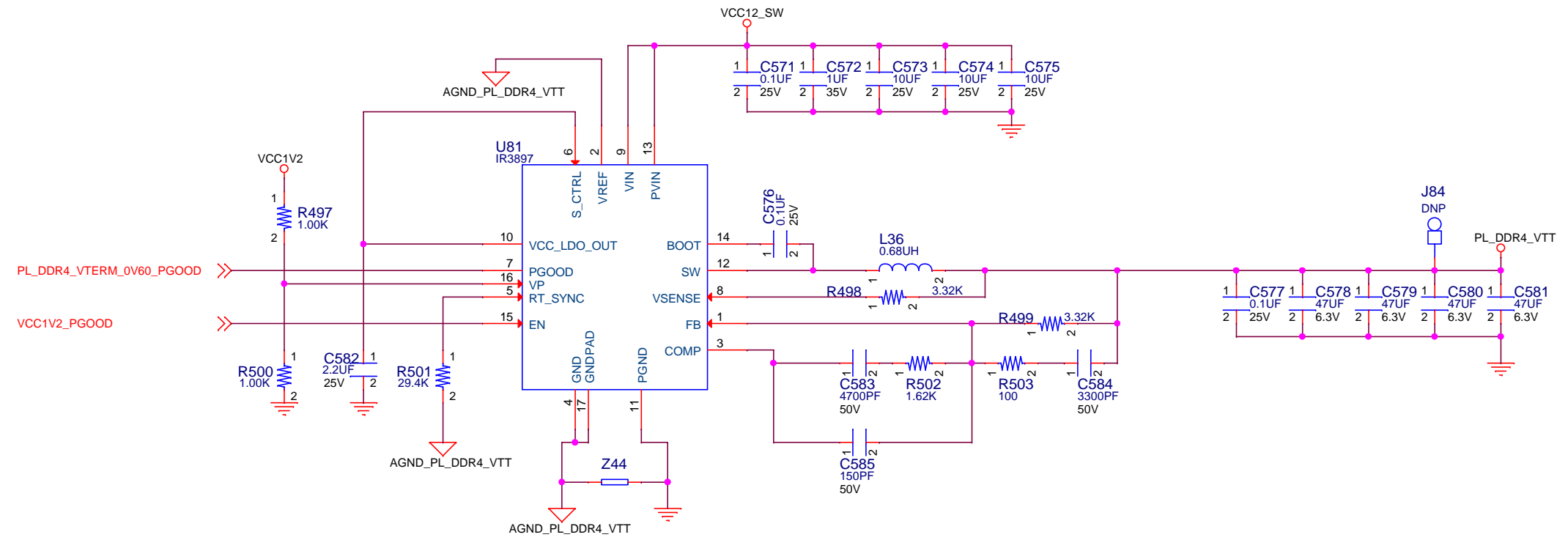
0.925V @ 2A

I2C ADDR
0x4E



0.925V @ 1A

		PCB P/N : 1280976 ASSY P/N : 0432076 TEST P/N : TSS0192	
Title:		HW-Z1-ZCU111 060 ADC_AVCC DAC_AVCC Reglators	
Size B	Date Modified: Monday, November 27, 2017	Document Number: 0381811	Rev A
Engineer: BF		Sheet 60 of 75	



		PCB P/N : 1280976 ASSY P/N : 0432076 TEST P/N : TSS0192	
Title: HW-Z1-ZCU111 061 DDR4 Termination Regulators			
Size B	Date Modified: Monday, November 27, 2017	Document Number: 0381811	Rev A
Engineer: BF		Sheet 61 of 75	