



Please note that Cypress is an Infineon Technologies Company.

The document following this cover page is marked as “Cypress” document as this is the company that originally developed the product. Please note that Infineon will continue to offer the product to new and existing customers as part of the Infineon product portfolio.

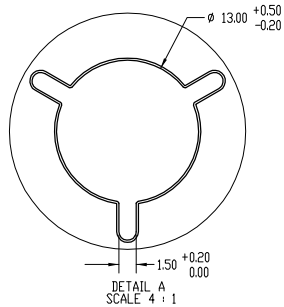
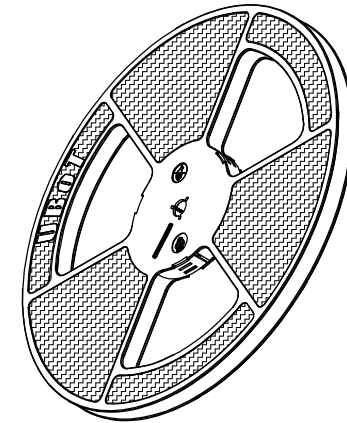
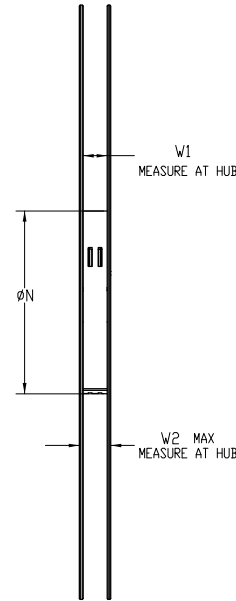
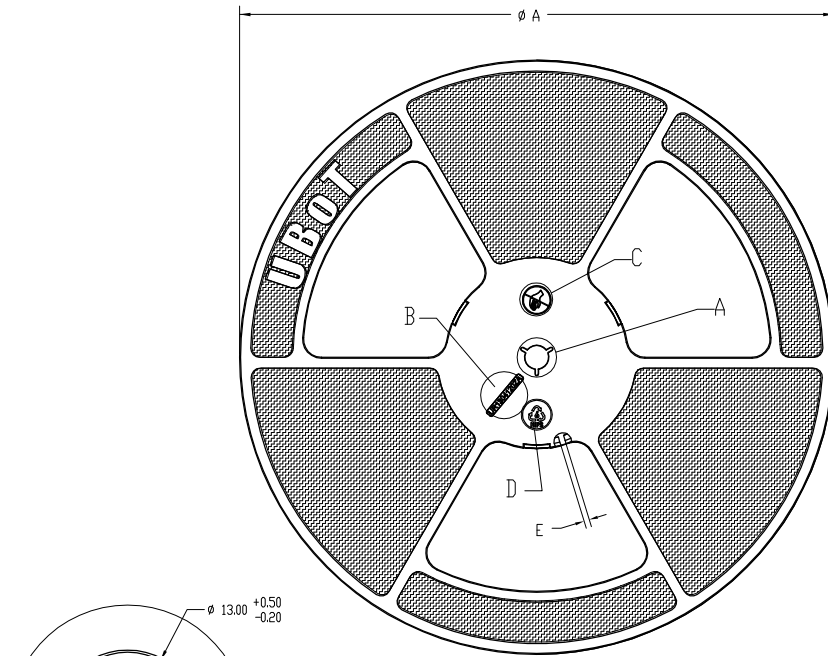
Continuity of document content

The fact that Infineon offers the following product as part of the Infineon product portfolio does not lead to any changes to this document. Future revisions will occur when appropriate, and any changes will be set out on the document history page.

Continuity of ordering part numbers

Infineon continues to support existing part numbers. Please continue to use the ordering part numbers listed in the datasheet for ordering.

REVISIONS						
PAGE	ZONE	REV	ECN	DESCRIPTION	DATE	APPROVED
1	-	**	765840	NEW RELEASE	02/09/07	
1	-	*A	3161372	CHANGE DRAWING TEMPLATE	02/03/11	
1	-	*B	4335029	SUNSET REVIEW, NO CHANGE	04/07/14	



PART NUMBER

DETAIL B
SCALE 1 : 1



ANTI-STATIC LOGO

DETAIL C
SCALE 1 : 1



RECYCLE SYMBOL

DETAIL D
SCALE 1 : 1

- NOTES:
1. INTERPRET DIMENSIONS AND TOLERANCES IN ACCORDANCE WITH ASME Y14.5M-1994.
 2. UNLESS OTHERWISE SPECIFIED, ELECTRONICALLY TRANSMITTED FILES ARE UNCONTROLLED DOCUMENTS.
 3. UNLESS OTHERWISE SPECIFIED 1" - 2" DRAFT ON ALL VERTICAL SURFACES. CHANGES TO THIS PRINT MUST BE INITIATED BY AN ECO. THE ECO SHALL BE CONFIGURED TO NOTIFY CUSTOMER IN THE EVENT OF CHANGE.
 4. ESD-SURFACE RESISTIVITY 1e+5 TO 1e+11 OHMS/SQ.
 5. REEL COMPLIANT WITH EIA SPECIFICATION.
 6. PLEASE INDICATE PART NUMBER ON PURCHASE ORDER.
 7. FLANGE WARPAGE 3MM MAX.

P/N		PRODUCT SPECIFICATIONS					
CML	UBoT	TAPE WIDTH	ϕA ± 2.0	ϕN ± 1.0	W1	W2 (MAX)	E (MIN)
TX12-04	UR1304120ZA	12MM	330	101.6	12.4 ⁺² ₋₀	18.4	4.8
RL-04B	UR1304160ZA	16MM	330	101.6	16.4 ⁺² ₋₀	22.4	4.8
TX24-04	UR1304240ZA	24MM	330	101.6	24.4 ⁺² ₋₀	30.4	4.8
RL-04	UR1304320ZA	32MM	330	101.6	32.4 ⁺² ₋₀	38.4	4.8

UNLESS OTHERWISE SPECIFIED ALL DIMENSIONS ARE IN MILLIMETERS STANDARD TOLERANCES ON:		DESIGNED BY	DATE
DECIMALS	ANGLES	DRAWN BY	DATE
.X ± 0.25	X ± 30 DEG	CNN	02/03/11
.XX ± 0.13	.XX ± 15 DEG	CHECKED BY	DATE
.XXX \pm		UBD	04/07/14
		APPROVED BY	DATE
		DAD	04/07/14
MATERIAL	SEE NOTES	APPROVED BY	DATE
FINISH		LJO	04/07/14
		APPROVED BY	DATE

CYPRESS
Company Confidential

TITLE
REEL, 13" DIA. ANTISTATIC/ 4" HUB (UBoT)

SIZE	PART NO.	DWG NO	REV
A	SEE TABLE	001-13030	*B

SCALED TO FIT ENG'G REV SHEET 1 OF 1

THIS DRAWING CONTAINS INFORMATION WHICH IS THE PROPRIETARY PROPERTY OF CYPRESS SEMICONDUCTOR CORPORATION. THIS DRAWING IS RECEIVED IN CONFIDENCE AND ITS CONTENTS MAY NOT BE DISCLOSED WITHOUT WRITTEN CONSENT OF CYPRESS SEMICONDUCTOR CORPORATION.