



Please note that Cypress is an Infineon Technologies Company.

The document following this cover page is marked as “Cypress” document as this is the company that originally developed the product. Please note that Infineon will continue to offer the product to new and existing customers as part of the Infineon product portfolio.

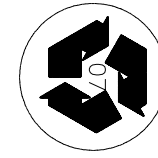
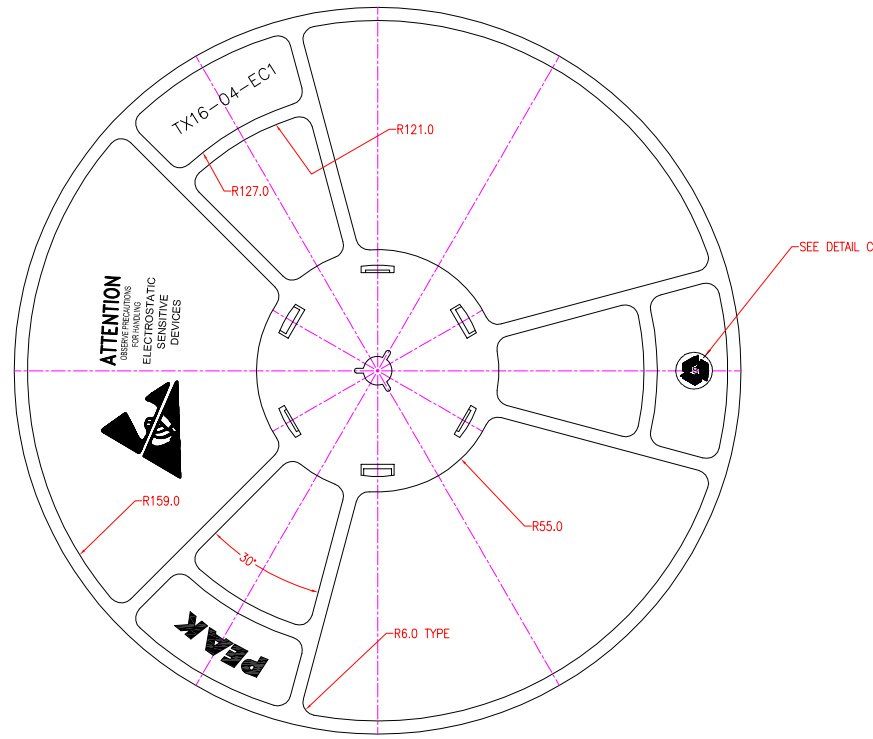
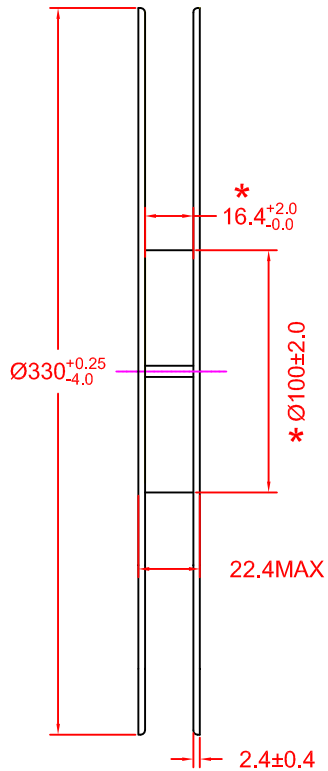
Continuity of document content

The fact that Infineon offers the following product as part of the Infineon product portfolio does not lead to any changes to this document. Future revisions will occur when appropriate, and any changes will be set out on the document history page.

Continuity of ordering part numbers

Infineon continues to support existing part numbers. Please continue to use the ordering part numbers listed in the datasheet for ordering.


REVISIONS						
PAGE	ZONE	REV	ECN	DESCRIPTION	DATE	APPROVED
1	-	**	100658	NEW RELEASE	04/19/00	
1	-	*A	303352	ADD BLACK LOCK REEL DRAWING	12/22/04	
1	-	*B	3153008	CHANGE TITLE FROM REEL TAPE 4" HUB (REEL THICKNESS 22.4MM) TO REEL, 13INCH DIA., 16MM W X 4INCH HUB UPDATE DRAWING BASED ON SUPPLIER'S LATEST DRAWING CHANGE DRAWING TEMPLATE	01/31/11	QAD/KGL
1	-	*C	4298339	SUNSET REVIEW. NO CHANGE.	03/05/14	QAD
1, 2	-	*D	5563238	ADD REEL SIDE VIEW AND DIMENSIONS ADD * TO DENOTES CRITICAL DIMENSION	12/27/16	



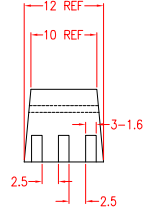
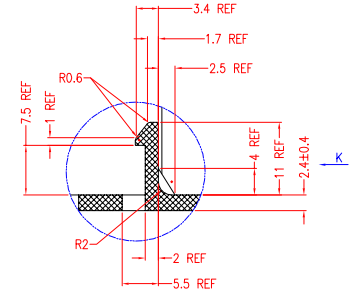
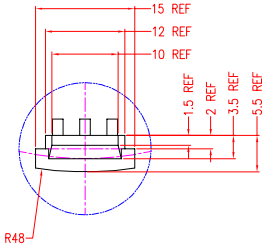
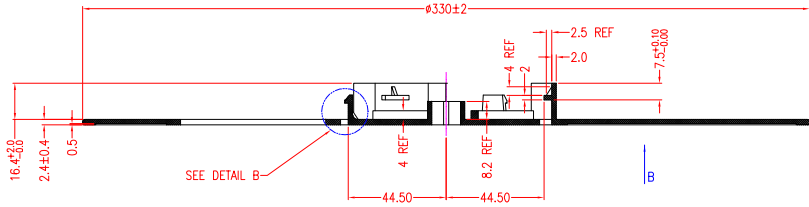
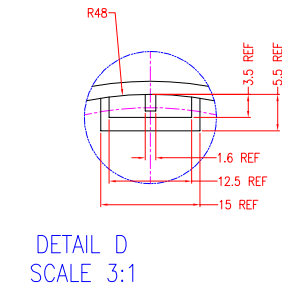
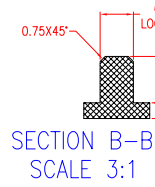
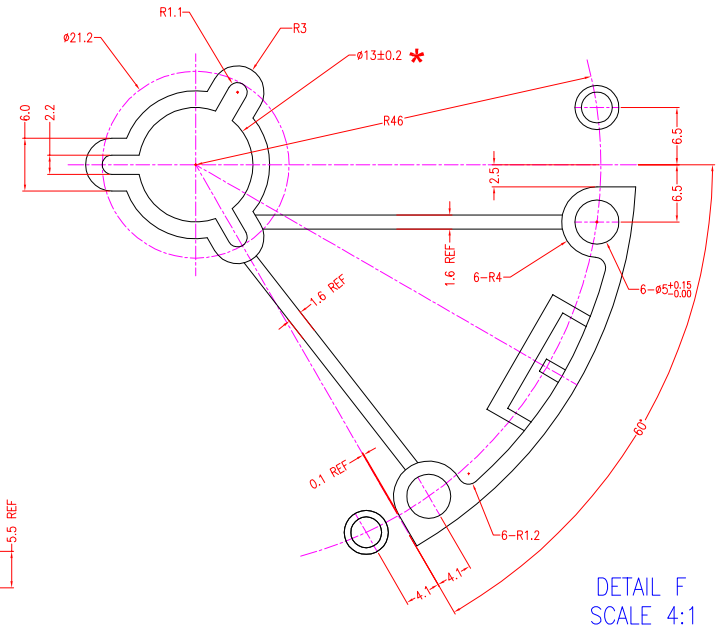
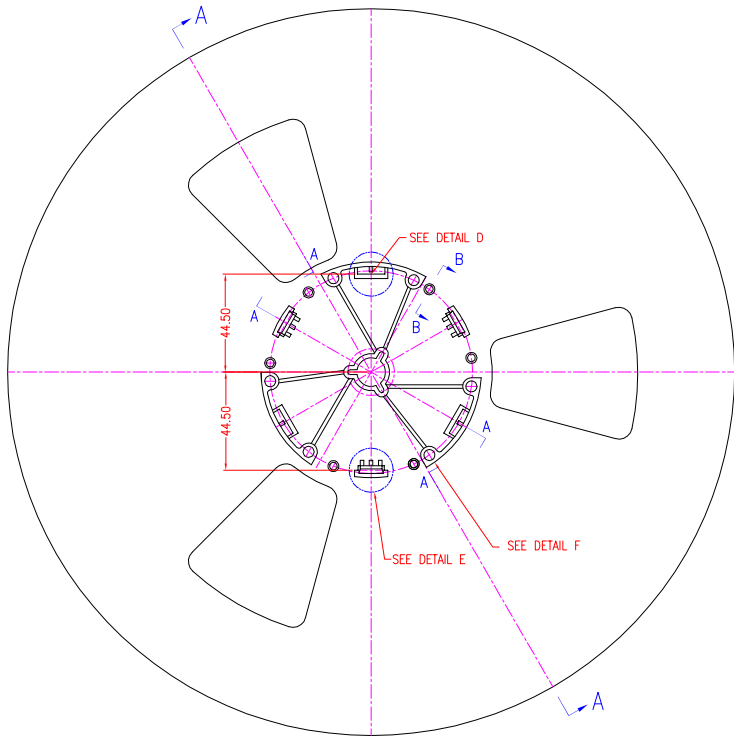
DETAIL C
SCALE 4:1

NOTES:

- MATERIAL : POLYSTYRENE (BLACK)
- FLANGE WARPAGE : 3 MM MAXIMUM
- ALL DIMENSIONS ARE IN MM
- ESD - SURFACE RESISTIVITY
- 10^5 TO 10^{11} OHMS/SQ.
- GENERAL TOLERANCE : ± 0.25 MM
- TOTAL THICKNESS OF REEL: 22.4 MAX.
- SUPPLIER PART NO.: TX16-04-EC1
- * DENOTES CRITICAL DIMENSION

UNLESS OTHERWISE SPECIFIED ALL DIMENSIONS ARE IN MILLIMETERS STANDARD TOLERANCES ON: DECIMALS ANGLES .X ± 0.25 ° ± .XX ± 0.25 .XXX ±	DESIGNED BY	DATE	 CYPRESS Company Confidential
	DRAWN BY	DATE	
	CHECKED BY	DATE	
	APPROVED BY	DATE	
MATERIAL	APPROVED BY	DATE	TITLE
SEE NOTES	NY1	12/27/16	REEL, 13INCH DIA., 16MM W X 4INCH HUB
FINISH	APPROVED BY	DATE	SIZE
			A
			PART NO.
			RL-04B
			DWG NO
			51-51112
			REV
			*D
			SCALED TO FIT
			ENG'G REV
			SHEET 1 OF 2

THIS DRAWING CONTAINS INFORMATION WHICH IS THE PROPRIETARY PROPERTY OF CYPRESS SEMICONDUCTOR CORPORATION. THIS DRAWING IS RECEIVED IN CONFIDENCE AND ITS CONTENTS MAY NOT BE DISCLOSED WITHOUT WRITTEN CONSENT OF CYPRESS SEMICONDUCTOR CORPORATION.



SECTION A-A

DETAIL D
SCALE 3:1

DETAIL F
SCALE 4:1

DETAIL E
SCALE 3:1

DETAIL B
SCALE 3:1

VIEW K
SCALE 3:1



CYPRESS
Company Confidential

TITLE
REEL, 13INCH DIA., 16MM W X 4INCH HUB

SIZE A	PART NO. RL-04B	DWG NO 51-51112	REV *D
SCALED TO FIT		ENG'G REV	SHEET 2 OF 2

THIS DRAWING CONTAINS INFORMATION WHICH IS THE PROPRIETARY PROPERTY OF CYPRESS SEMICONDUCTOR CORPORATION. THIS DRAWING IS RECEIVED IN CONFIDENCE AND ITS CONTENTS MAY NOT BE DISCLOSED WITHOUT WRITTEN CONSENT OF CYPRESS SEMICONDUCTOR CORPORATION.