

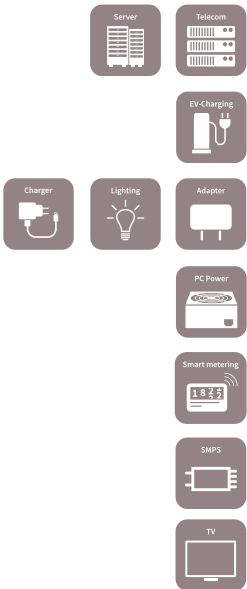
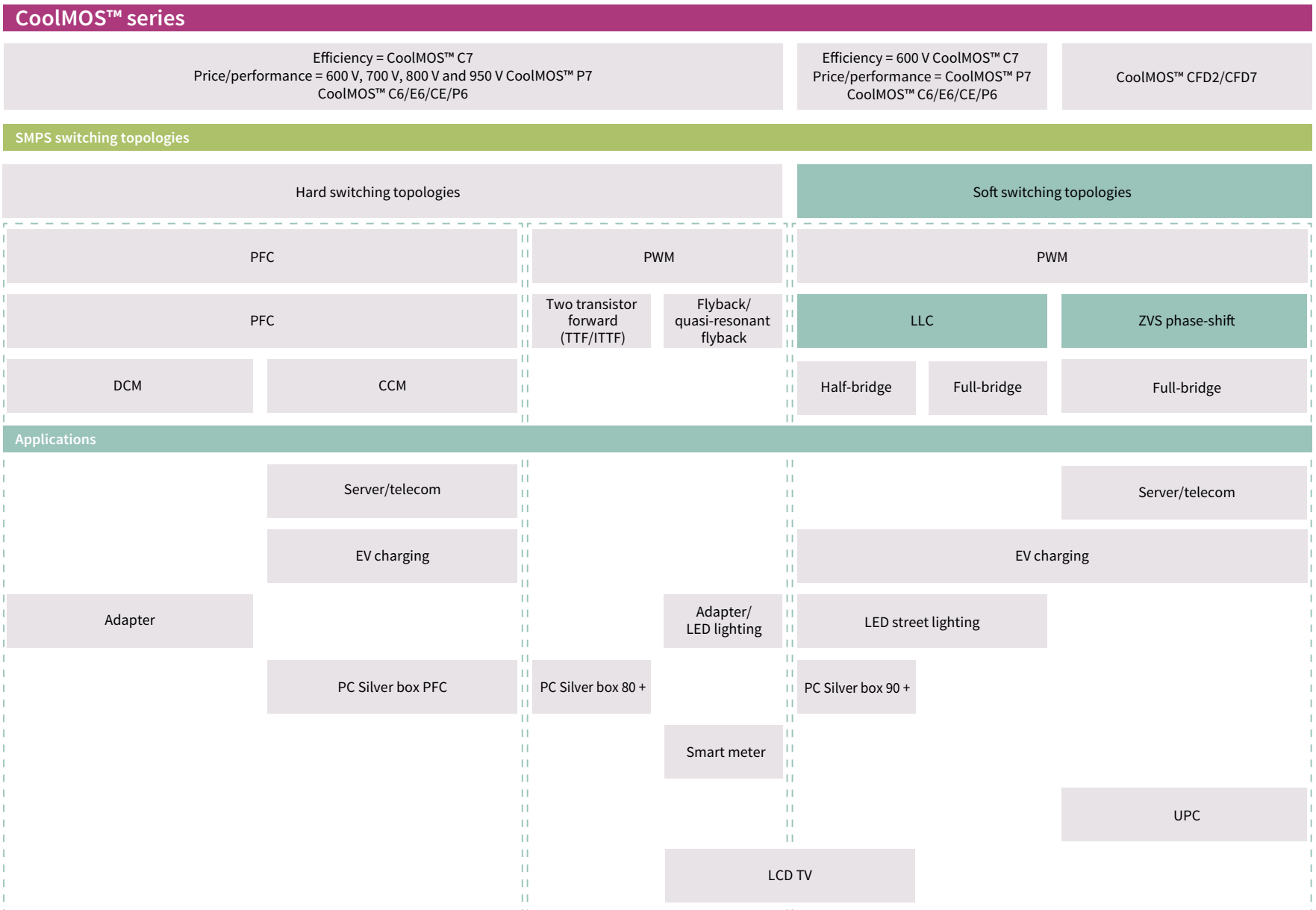
# CoolMOS™ SJ MOSFETs benefits

in hard and soft switching SMPS topologies

[www.infineon.com/coolmos](http://www.infineon.com/coolmos)

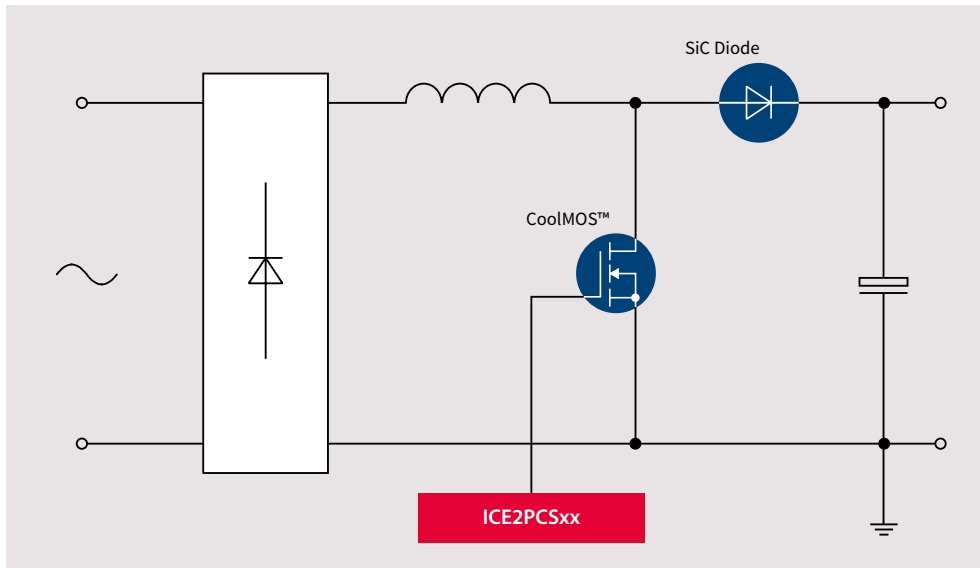


# Hard and soft switching topologies, applications and suitable CoolMOS™ families

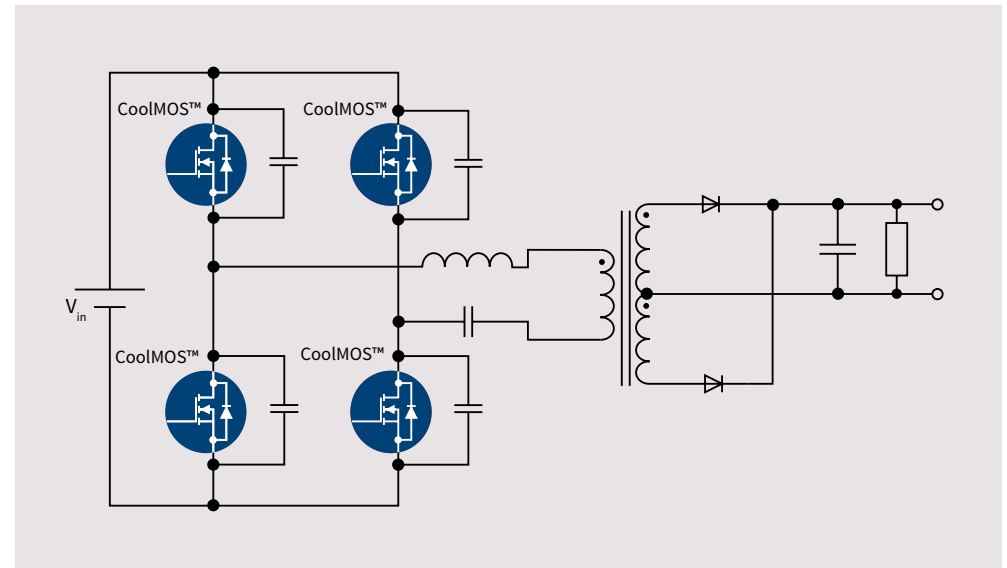


# Examples of hard and soft switching topologies

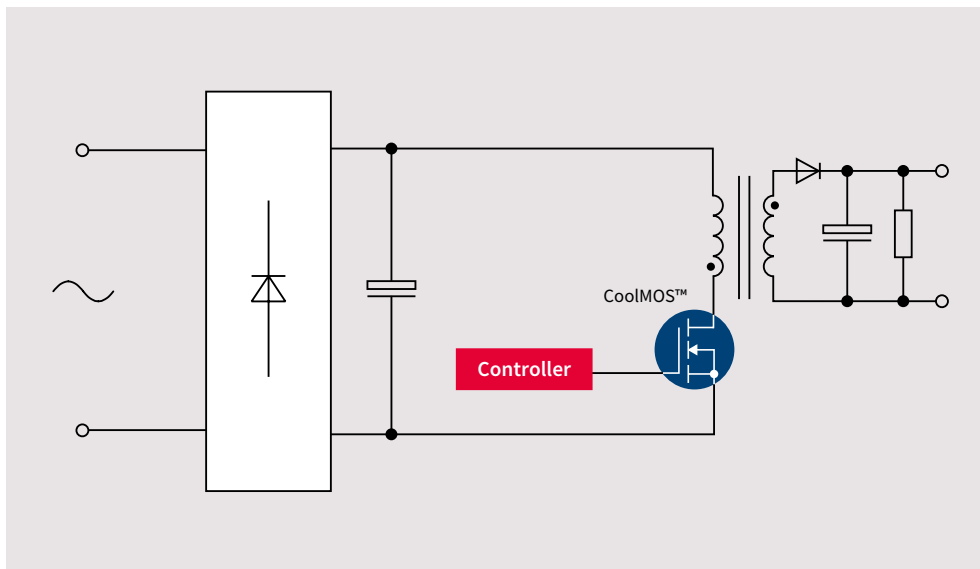
**Hard switching:** Power factor correction circuit



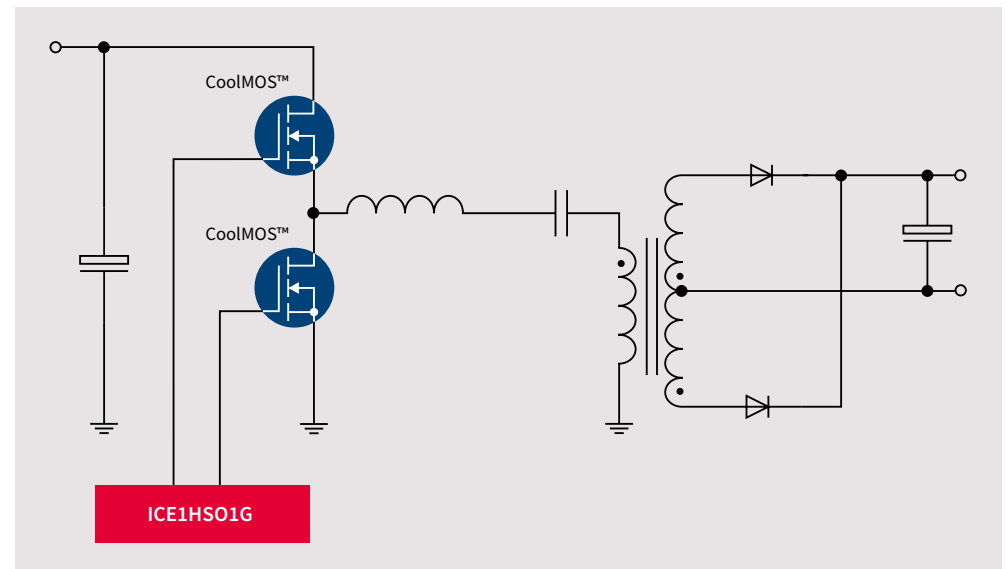
**Soft switching:** ZVS phase-shift full-bridge



**Hard switching:** Quasi-resonant flyback circuit



**Soft switching:** LLC half-bridge



# Hard switching

What is hard switching?

- › Hard switching occurs when there is an overlap between voltage and current when switching the transistor on and off.
- › This overlap causes energy losses which can be minimized by increasing the  $di/dt$  and  $dv/dt$ .
- › However, fast changing  $di/dt$  or  $dv/dt$  causes EMI to be generated. Therefore the  $di/dt$  and  $dv/dt$  should be optimized to avoid EMI issues.

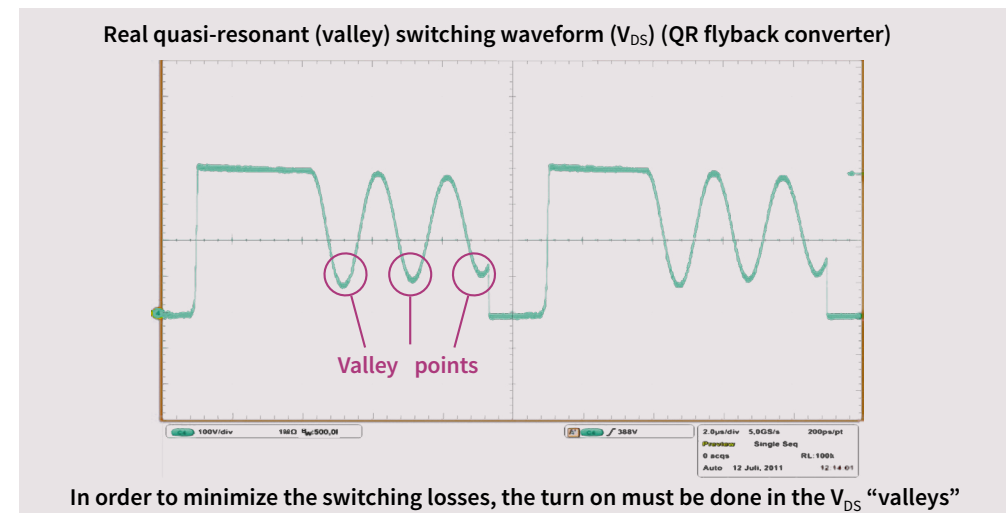
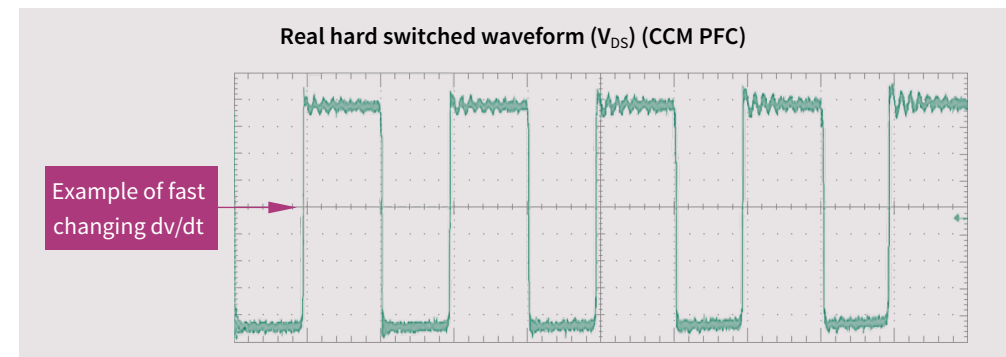
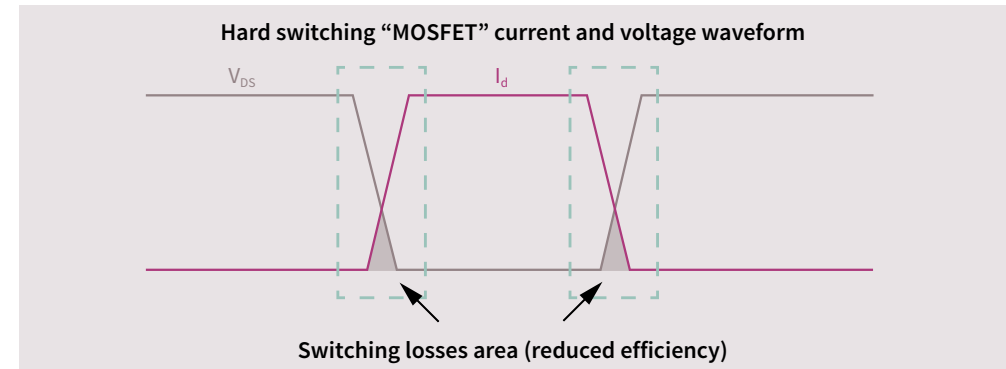
To minimize the EMI effects and to improve efficiency, an improved hard switching technique called quasi-resonant switching was developed (mainly seen in flyback converters).

What is quasi-resonant (valley) switching?

- › The transistor is turned on when the voltage across drain and source is at a minimum (in a valley) in order to minimize the switching losses and to improve efficiency.
- › Switching the transistor when the voltage is at a minimum helps reduce the hard switching effect which causes EMI.
- › Switching when a valley is detected – rather than at a fixed frequency – introduces frequency jitter. This has the benefit of spreading the RF emissions spectrum and reducing EMI overall.

Infiniteon CoolMOS™ series recommendations for hard switching topologies

- › For hard switching applications Infineon recommends CoolMOS™ C7/G7 and CoolMOS™ P7



# Soft switching (resonant)

What is soft (resonant) switching?

- › Soft switching begins one electrical parameter to zero (current or voltage) before the switch is turned on or off. This has benefits in terms of losses.
- › The smooth resonant switching waveforms also minimize EMI.
- › Common topologies like phase-shifted ZVS and LLC are soft switched only at turn-on.

What is the difference between zero voltage switching (ZVS) and zero current switching (ZCS)?

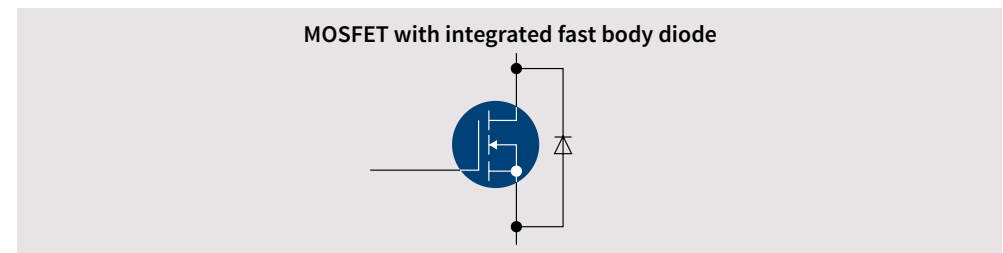
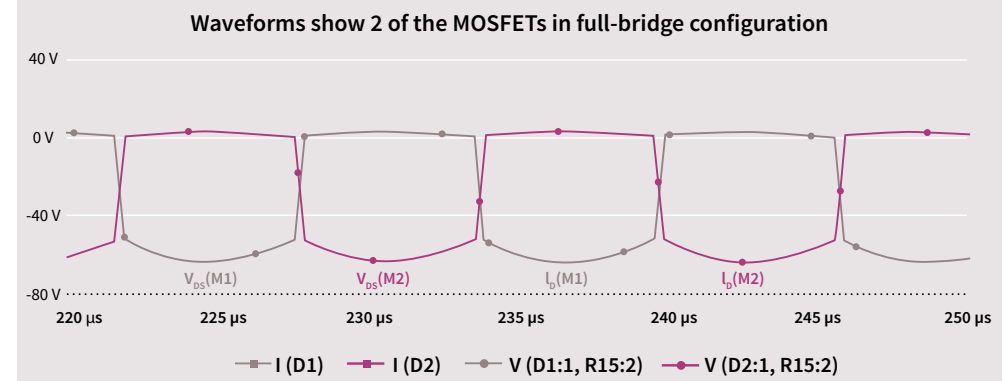
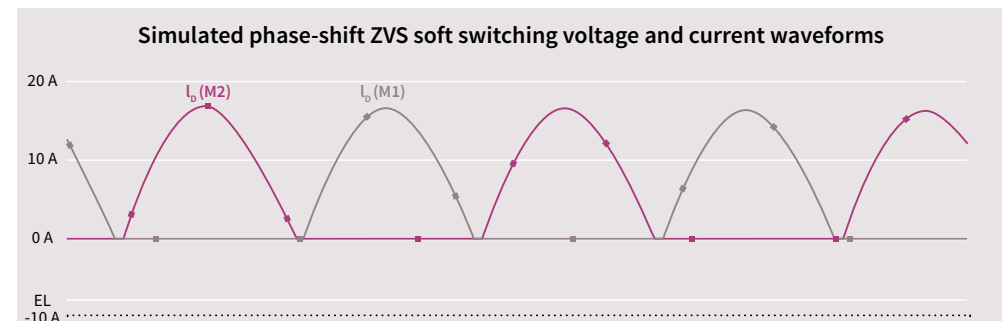
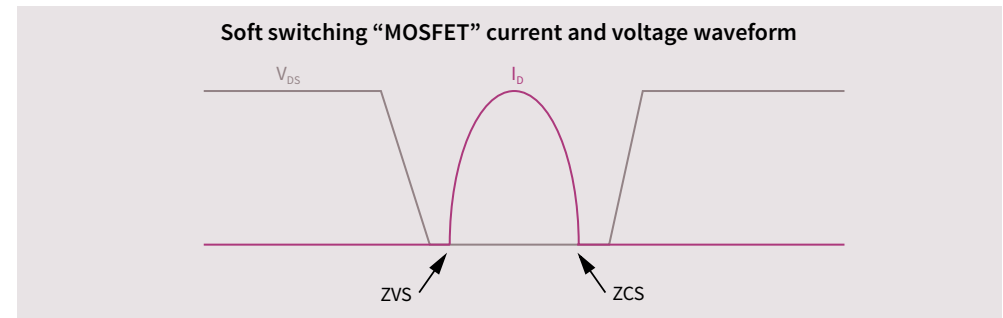
- › As both names imply either voltage or current within the transistor is zero before switching occurs.
  - For ZVS, the transistor will be turned in at zero  $V_{DS}$  voltage to reduce the turn on switching loss.
  - For ZCS, the transistor will be turned off at zero  $I_D$  current to reduce the turn off switching loss.

Why is there a need for a rugged or fast body diode?

- › Most resonant circuits are half- or full-bridge topologies (2 or 4 transistors). As transistors are switched on and off, energy can be left in the transistor and this can cause failure. Due to switching times if this only happens occasionally a rugged body diode is sufficient (CoolMOS™ P7). If due to fast transition times it happens continually then a fast body diode is required to make sure all the energy will leave the transistor (CoolMOS™ CFD7 series).

Infineon CoolMOS™ series recommendations for soft switching (resonant) topologies

- › For soft switching applications such as phase-shifted ZVS and LLC, Infineon recommends either 600 V CoolMOS™ CFD7 or 600 V CoolMOS™ P7 series.



# CoolMOS™ product portfolio

CoolMOS™	ThinPAK 8x8	ThinPAK 5x6	TO-Leadless	DDPAK	TO-252 DPAK	TO-263 D <sup>2</sup> PAK	TO-220	TO-220 FullPAK	TO-220 FullPAK Wide Creepage	TO-220 FullPAK Narrow Lead	TO-251 IPAK	TO-251 IPAK SL	TO-251 I <sup>2</sup> PAK	TO-247	TO-247 4pin	TO-251 IPAK SL with ISO lead standoff	SOT-223
500 V CE					✓		✓	✓		✓	✓			✓			✓
600 V CE					✓		✓	✓	✓	✓	✓	✓					✓
600 V C6/E6		✓			✓	✓	✓	✓					✓	✓			
600 V C7/G7	✓		✓	✓	✓	✓	✓	✓						✓	✓		
600 V P6	✓	✓			✓		✓	✓						✓			
600 V CFD							✓	✓					✓	✓			
600 V CFD7	✓				✓	✓	✓	✓						✓			
600 V P7	✓				✓	✓	✓	✓						✓	✓		
600 V P7S					✓		✓	✓	✓								✓
650 V CE					✓		✓	✓		✓		✓					✓
650 V C6/E6	✓	✓					✓	✓					✓	✓			
650 V C7/G7	✓		✓		✓	✓	✓	✓						✓	✓		
650 V CFD2	✓				✓	✓	✓	✓					✓	✓			
700 V CE					✓		✓	✓					✓				✓
700 V P7		✓*			✓		✓	✓		✓		✓				✓	✓
800 V CE					✓		✓	✓			✓	✓					✓
800 V P7		✓*			✓		✓	✓		✓	✓	✓		✓			✓
950 V P7					✓		✓	✓				✓					✓

□ Hard switching

■ Hard/soft switching

\* Kelvin source configuration

■ Soft switching

✓ Standard parts



<b>Hard switching</b>	650 V CoolMOS™ C7/G7:	<b>NEW!</b> Fastest switching series, best suited for high efficiency at hard switching topologies.
<b>Hard/soft switching</b>	CoolMOS™ E6: CoolMOS™ C6: CoolMOS™ P6: 600 V CoolMOS™ C7/G7: CoolMOS™ CE: 600 V CoolMOS™ P7: 700 V/800 V/950 V CoolMOS™ P7:	CoolMOS™ C3 replacement series optimized for DCM applications in PFC and PWM. Improved low load efficiency over CoolMOS™ C3. CoolMOS™ C3 replacement series. Improved low load efficiency, also with improved “rugged” diode for use in cost sensitive soft switching topologies as well as hard switching. Price/performance series, suitable for hard and soft switching. <b>NEW!</b> Fastest switching series, suitable for hard switching topologies and soft switching. Right fit for consumer applications with competitive cost, fast delivery and high quality for use in hard and soft switching topologies. Replacement for P6, price/ performance series, suitability for wide range of applications in hard and soft switching topologies Replacement for CE/C3, designed and optimized for flyback topologies
<b>Soft switching</b>	CoolMOS™ CFD: CoolMOS™ CFD2: CoolMOS™ CFD7:	Original fast body diode series suitable for hard commutation resonant soft switching topologies. CoolMOS™ CFD replacement series. Improved low load efficiency and improved fast body diode control enabling lower EMI and overshoot voltage. Suitable for hard commutation resonant soft switching topologies. <b>NEW!</b> Replacement of CoolMOS™ CFD2 for new designs, improved efficiency and BIC robustness; suitable for hard commutation resonant soft switching topologies

For more information on individual CoolMOS™ parts in the above different series, please go to [www.infineon.com/coolmos](http://www.infineon.com/coolmos)

## Where to buy

Infiniteon distribution partners and sales offices:  
[www.infineon.com/wheretobuy](http://www.infineon.com/wheretobuy)



Mobile product catalog  
Mobile app for iOS and Android.

## Service hotline

Infiniteon offers its toll-free 0800/4001 service hotline as one central number, available 24/7 in English, Mandarin and German.

- > Germany ..... 0800 951 951 951 (German/English)
- > China, mainland ..... 4001 200 951 (Mandarin/English)
- > India ..... 000 800 4402 951 (English)
- > USA ..... 1-866 951 9519 (English/German)
- > Other countries ..... 00\* 800 951 951 951 (English/German)
- > Direct access ..... +49 89 234-0 (interconnection fee, German/English)

\* Please note: Some countries may require you to dial a code other than "00" to access this international number.  
Please visit [www.infineon.com/service](http://www.infineon.com/service) for your country!

Published by  
Infineon Technologies Austria AG  
9500 Villach, Austria

© 2019 Infineon Technologies AG.  
All Rights Reserved.

Order Number: B152-10856-V1-7600-EU-EC-P  
Date: 07/2019

### Please note!

THIS DOCUMENT IS FOR INFORMATION PURPOSES ONLY AND ANY INFORMATION GIVEN HEREIN SHALL IN NO EVENT BE REGARDED AS A WARRANTY, GUARANTEE OR DESCRIPTION OF ANY FUNCTIONALITY, CONDITIONS AND/OR QUALITY OF OUR PRODUCTS OR ANY SUITABILITY FOR A PARTICULAR PURPOSE. WITH REGARD TO THE TECHNICAL SPECIFICATIONS OF OUR PRODUCTS, WE KINDLY ASK YOU TO REFER TO THE RELEVANT PRODUCT DATA SHEETS PROVIDED BY US. OUR CUSTOMERS AND THEIR TECHNICAL DEPARTMENTS ARE REQUIRED TO EVALUATE THE SUITABILITY OF OUR PRODUCTS FOR THE INTENDED APPLICATION.

WE RESERVE THE RIGHT TO CHANGE THIS DOCUMENT AND/OR THE INFORMATION GIVEN HEREIN AT ANY TIME.

### Additional information

For further information on technologies, our products, the application of our products, delivery terms and conditions and/or prices, please contact your nearest Infineon Technologies office ([www.infineon.com](http://www.infineon.com)).

### Warnings

Due to technical requirements, our products may contain dangerous substances. For information on the types in question, please contact your nearest Infineon Technologies office.

Except as otherwise explicitly approved by us in a written document signed by authorized representatives of Infineon Technologies, our products may not be used in any life-endangering applications, including but not limited to medical, nuclear, military, life-critical or any other applications where a failure of the product or any consequences of the use thereof can result in personal injury.