

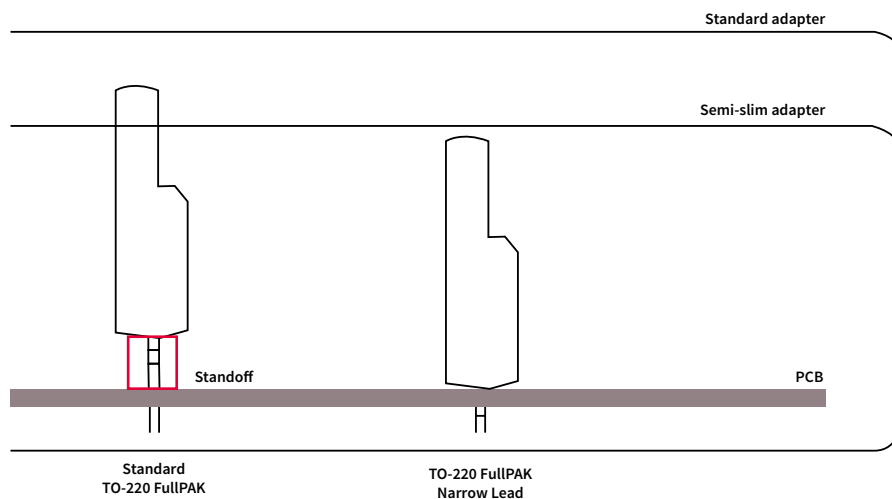


Product brief

CoolMOS™ P7 and CE SJ MOSFET in TO-220 FullPAK Narrow Lead package

Solution for height reduction in adapter and charger applications

The TO-220 FullPAK Narrow Lead package, available with P7 and CE, fully addresses the customer needs with regard to height reduction requirements in adapter and charger applications.



Key features

- > 24 percent reduction in standoff width
- > 44 percent reduction in standoff height
- > 23 percent reduction in leg width

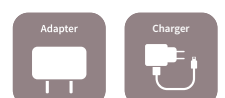
Key benefits

- > Package can be fully inserted into PCB without any issues
- > Meeting height challenges in adapter and charger applications

In standard adapter TO-220 FullPAK is inserted into PCB up to standoff, in semi-slim adapter TO-220 FullPAK needs to be fully inserted into PCB to meet height requirements.

For charger and adapter applications with power over 20 W TO-220 FullPAK is the preferred package because of its ease of handling and superior thermal performance. However, the need for height reduction in slim and semi-slim adapters forces manufacturers to fully insert TO-220 FullPAK into PCB rather than up to its standoff. This often causes yield and reliability challenges due to:

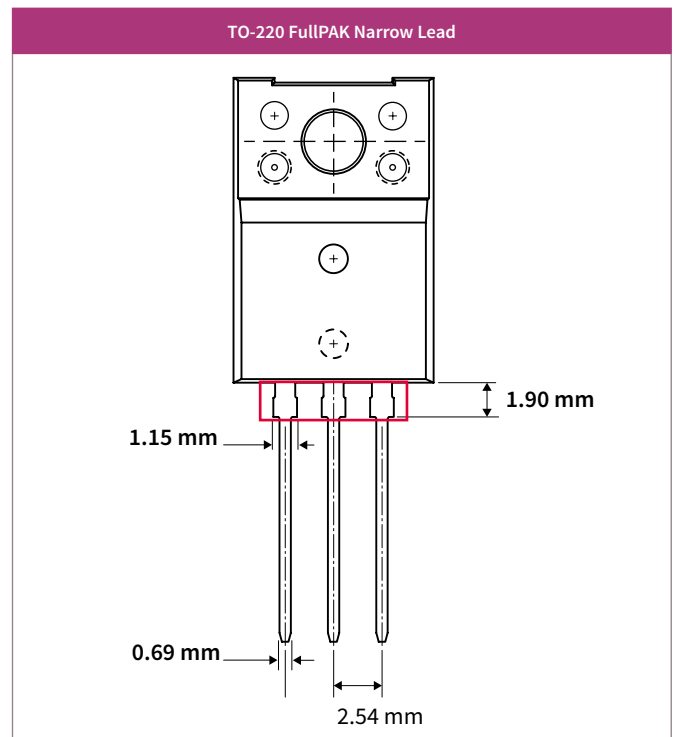
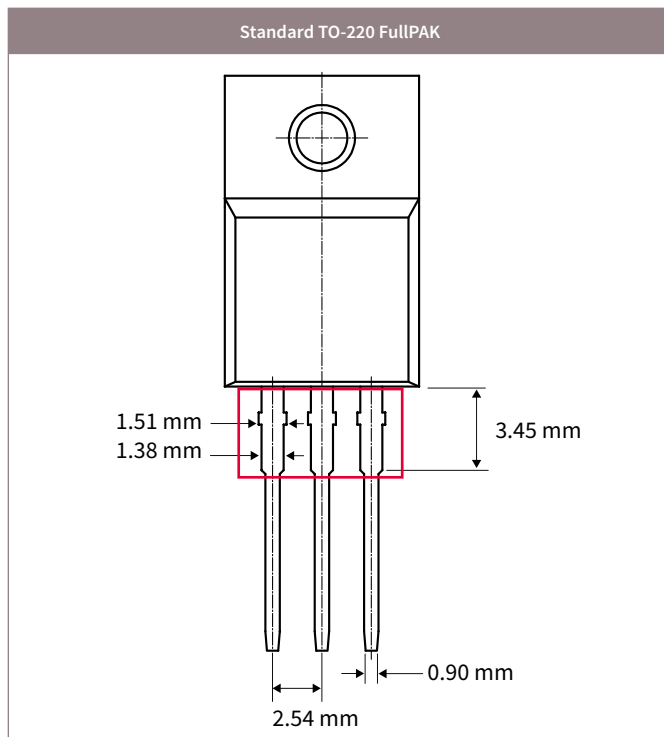
- > Significantly increased hole size on PCB to accommodate wider standoff as compared to leg
- > Decreased effective creepage distance (shortest hole-to-hole distance)
- > Increased possibility to have solder short on PCB



CoolMOS™ P7 and CE SJ MOSFET in TO-220 FullPAK Narrow Lead package

Solution for height reduction in adapter and charger applications

With fully optimized standoff width and height, the TO-220 FullPAK Narrow Lead package can be fully inserted into the PCB without any of the challenges mentioned above.



Product portfolio

$R_{ps(on)}$ [mΩ]	500 V	600 V	650 V	700 V	800 V
900				IPAN70R900P7S	
800		IPAN60R800CE			
750				IPAN70R750P7S	
650		IPAN60R650CE	IPAN65R650CE		
600				IPAN70R600P7S	
500	IPAN50R500CE				
450				IPAN70R450P7S	IPAN80R450P7
360				IPAN70R360P7S	IPAN80R360P7
280					IPAN80R280P7

Published by
Infineon Technologies Austria AG
9500 Villach, Austria

© 2018 Infineon Technologies AG.
All Rights Reserved.

Please note!

THIS DOCUMENT IS FOR INFORMATION PURPOSES ONLY AND ANY INFORMATION GIVEN HEREIN SHALL IN NO EVENT BE REGARDED AS A WARRANTY, GUARANTEE OR DESCRIPTION OF ANY FUNCTIONALITY, CONDITIONS AND/OR QUALITY OF OUR PRODUCTS OR ANY SUITABILITY FOR A PARTICULAR PURPOSE. WITH REGARD TO THE TECHNICAL SPECIFICATIONS OF OUR PRODUCTS, WE KINDLY ASK YOU TO REFER TO THE RELEVANT PRODUCT DATA SHEETS PROVIDED BY US. OUR CUSTOMERS AND THEIR TECHNICAL DEPARTMENTS ARE REQUIRED TO EVALUATE THE SUITABILITY OF OUR PRODUCTS FOR THE INTENDED APPLICATION.

WE RESERVE THE RIGHT TO CHANGE THIS DOCUMENT AND/OR THE INFORMATION GIVEN HEREIN AT ANY TIME.

Additional information

For further information on technologies, our products, the application of our products, delivery terms and conditions and/or prices, please contact your nearest Infineon Technologies office (www.infineon.com).

Warnings

Due to technical requirements, our products may contain dangerous substances. For information on the types in question, please contact your nearest Infineon Technologies office.

Except as otherwise explicitly approved by us in a written document signed by authorized representatives of Infineon Technologies, our products may not be used in any life-endangering applications, including but not limited to medical, nuclear, military, life-critical or any other applications where a failure of the product or any consequences of the use thereof can result in personal injury.