

650V CoolSET™

产品特点

650V 固定频率 CoolSET™

- 带启动单元的 650V 雪崩加强 CoolMOS™
- 主动突发模式，可达到最低待机功率要求 <50mW
- 针对过载、过热、过压的自动重启保护
- 外部自动重启使能功能
- 内置软启动和屏蔽时间
- 针对高负载跳变的可扩展屏蔽时间
- 针对低 EMI 的内置频率抖动和软驱动
- 环保铸模复合材料
- 无铅引线电镀
- 符合 RoHS 标准

Product	Frequency _(SW) [kHz]	V _{DS(breakdown)} [V]	R _{DS(on)} [Ω]	Power _(Universal) [W]	Package
ICE3BR4765J	65	650	4.7	18	DIP-8
ICE3BR1765J	65	650	1.7	31	DIP-8
ICE3BR0665J	65	650	0.6	49	DIP-8
ICE3BR4765JZ	65	650	4.7	18	DIP-7
ICE3BR1765JZ	65	650	1.7	30	DIP-7
ICE3BR0665JZ	65	650	0.6	47	DIP-7
ICE3BR4765JG	65	650	4.7	17	DSO-12
ICE3A1065ELJ	100	650	3.0	16	DIP-8
ICE3A2065ELJ	100	650	1.0	28	DIP-8
ICE2QR4765	–	650	4.7	19	DIP-8
ICE2QR1765	–	650	1.7	33	DIP-8
ICE2QR0665	–	650	0.6	50	DIP-8

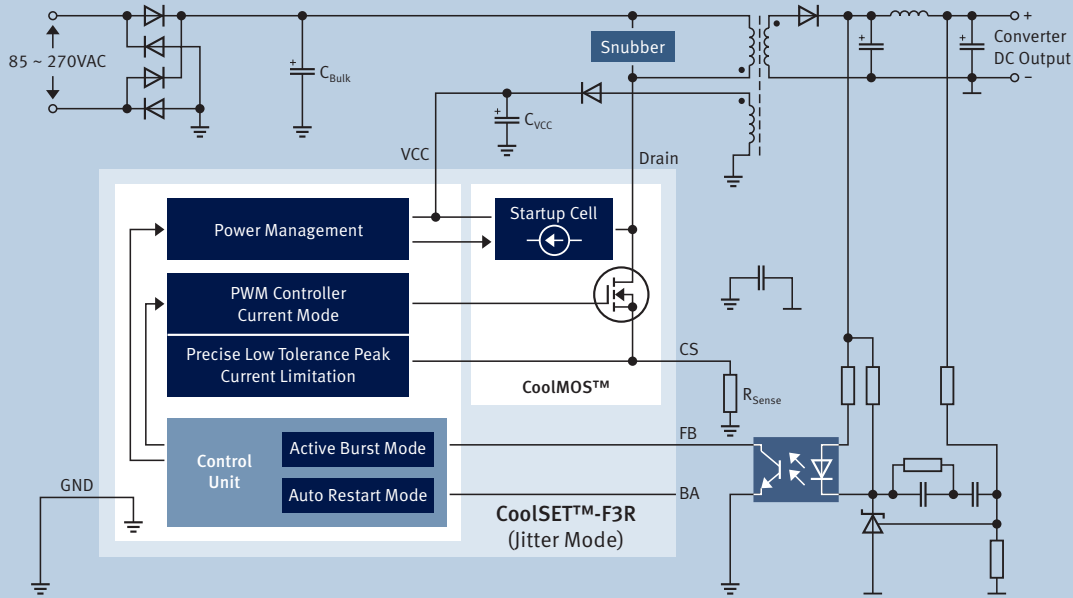
产品特点

650V 准谐振 CoolSET™

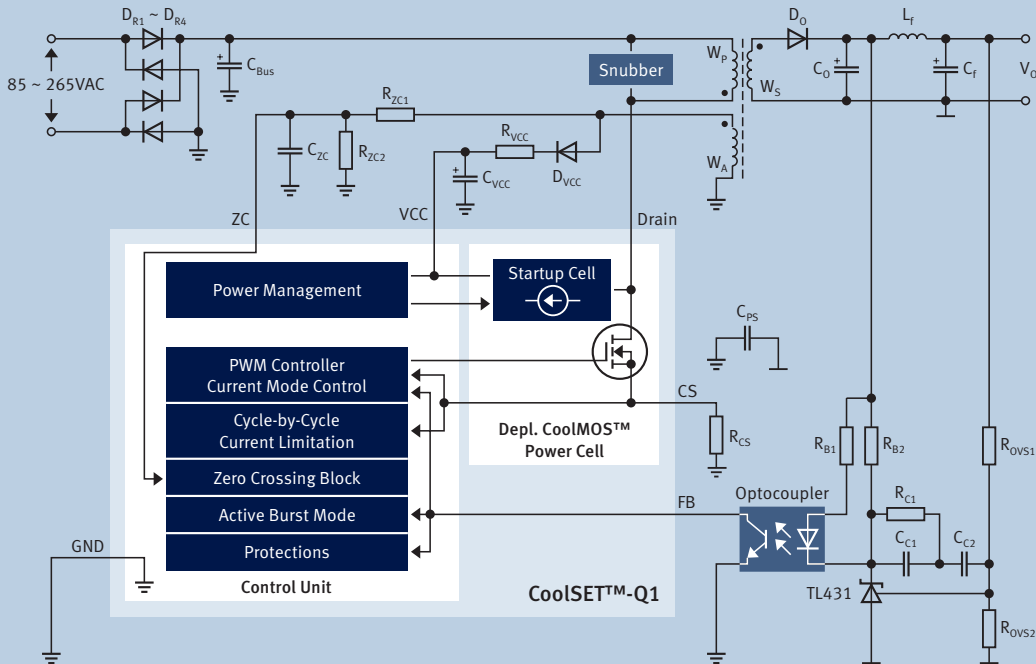
- 带启动单元的 650V 雪崩加强 CoolMOS™
- 在极低负载下仍处于准谐振工作状态
- 针对低待机输入功率 <0.1W 的主动突发模式工作状态
- 降载时的数字降频功能，可降低开关损耗
- 内置数字软启动
- 限流点校正和逐周期峰值电流限制
- 最大导通，关断时间限制
- 用于 VCC 过压和欠压保护的自动重启模式
- 用于过载保护的自动重启模式
- 用于过热保护的自动重启模式
- 用于可调输出过压保护和变压器绕组短路保护的门锁模式

650V CoolSET™

应用电路图 – 650V 固定频率 CoolSET™



应用电路图 – 650V 准谐振 CoolSET™



Published by
Infineon Technologies AG
85579 Neuburg, Germany

© 2010 Infineon Technologies AG.
All Rights Reserved.

Visit us:
www.infineon.com

Order Number: B121-H9553-X-X-5D00
Date: 12 / 2010

ATTENTION PLEASE!

The information given in this document shall in no event be regarded as a guarantee of conditions or characteristics ("Beschaffenheitsgarantie"). With respect to any examples or hints given herein, any typical values stated herein and/or any information regarding the application of the device, Infineon Technologies hereby disclaims any and all warranties and liabilities of any kind, including without limitation warranties of non-infringement of intellectual property rights of any third party.

INFORMATION

For further information on technology, delivery terms and conditions and prices please contact your nearest Infineon Technologies Office (www.infineon.com).

WARNINGS

Due to technical requirements components may contain dangerous substances. For information on the types in question please contact your nearest Infineon Technologies Office. Infineon Technologies Components may only be used in life-support devices or systems with the express written approval of Infineon Technologies, if a failure of such components can reasonably be expected to cause the failure of that life-support device or system, or to affect the safety or effectiveness of that device or system. Life support devices or systems are intended to be implanted in the human body, or to support and/or maintain and sustain and/or protect human life. If they fail, it is reasonable to assume that the health of the user or other persons may be endangered.