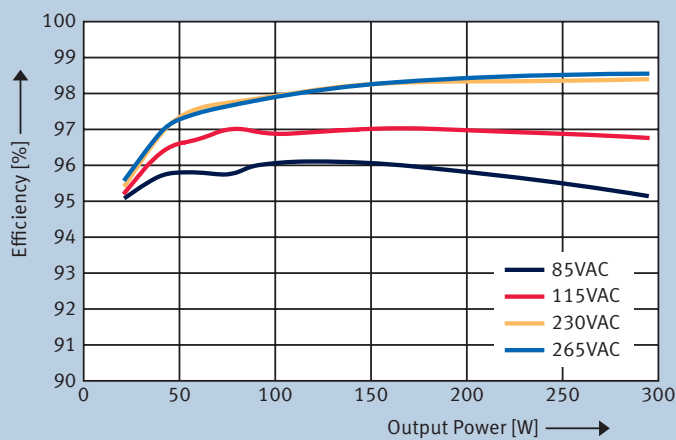


Continuous Conduction Mode Power Factor Correction IC

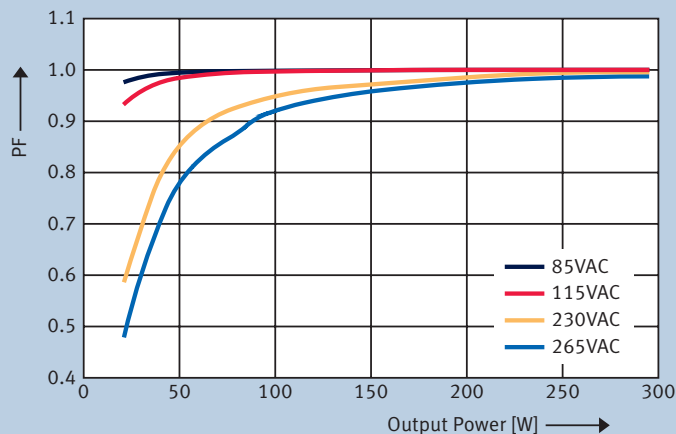
Product Highlights

- High efficiency over the whole load range
- Lowest count of external components
- Accurate and adjustable switching frequency
- Bulk voltage good signal for inrush relay control or PWM IC enabling
- Integrated digital voltage loop compensation
- Fast output dynamic response during load jump
- External synchronization
- Extra low peak current limitation
- SO8 and SO14
- Leadfree, RoHS compliant

Output Power vs Efficiency

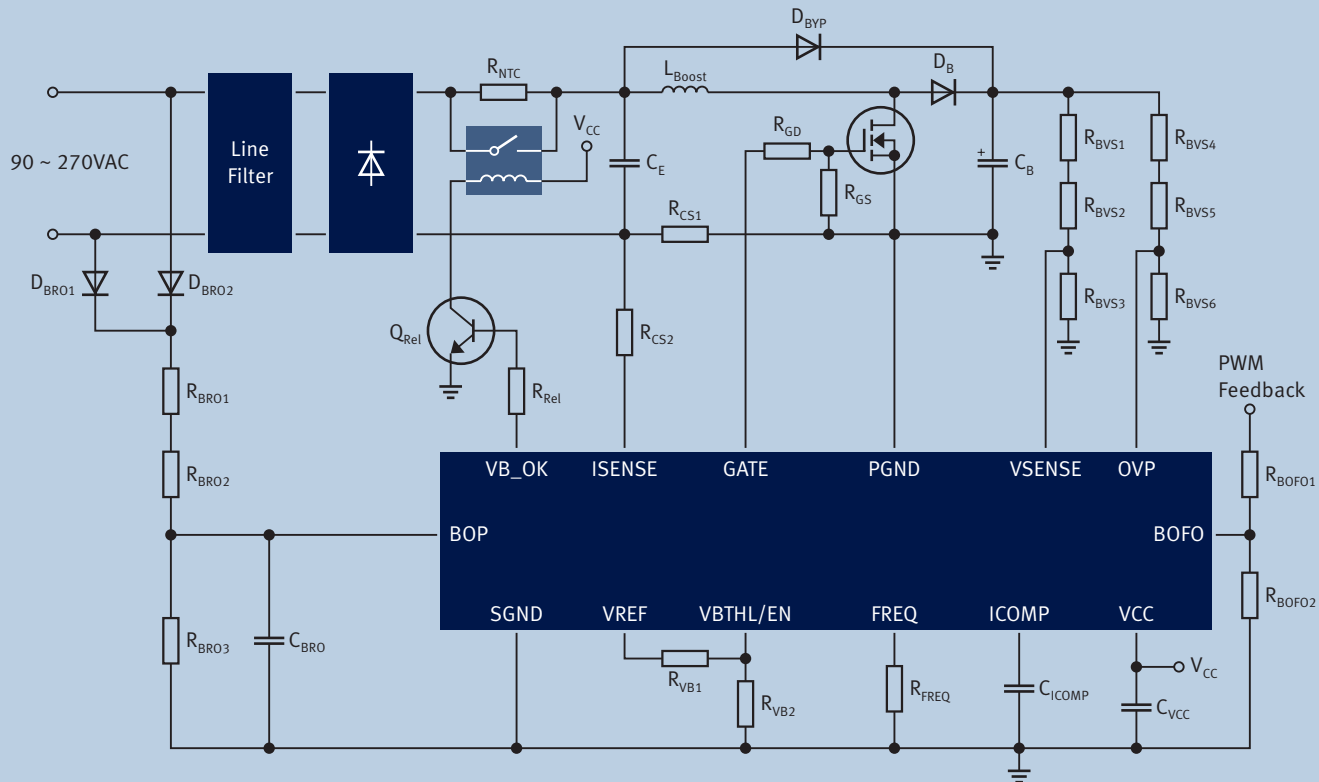


Output Power vs Power Factor



Continuous Conduction Mode Power Factor Correction IC

Application Diagram – CCM PFC



Product	Frequency _(SW)	Current Drives [A]	Features	Package
ICE3PCS01G	Adjustable	0.5	OVP+Brown-out	DSO-14
ICE3PCS02G	Adjustable	0.5	OVP	DSO-8
ICE3PCS03G	Adjustable	0.5	Brown-out	DSO-8

Published by
Infineon Technologies AG
85579 Neubiberg, Germany

© 2010 Infineon Technologies AG.
All Rights Reserved.

Visit us:
www.infineon.com

Order Number: B121-H9548-X-X-7600
Date: 12 / 2010

ATTENTION PLEASE!

The information given in this document shall in no event be regarded as a guarantee of conditions or characteristics ("Beschaffenheitsgarantie"). With respect to any examples or hints given herein, any typical values stated herein and/or any information regarding the application of the device, Infineon Technologies hereby disclaims any and all warranties and liabilities of any kind, including without limitation warranties of non-infringement of intellectual property rights of any third party.

INFORMATION

For further information on technology, delivery terms and conditions and prices please contact your nearest Infineon Technologies Office (www.infineon.com).

WARNINGS

Due to technical requirements components may contain dangerous substances. For information on the types in question please contact your nearest Infineon Technologies Office. Infineon Technologies Components may only be used in life-support devices or systems with the express written approval of Infineon Technologies, if a failure of such components can reasonably be expected to cause the failure of that life-support device or system, or to affect the safety or effectiveness of that device or system. Life support devices or systems are intended to be implanted in the human body, or to support and/or maintain and sustain and/or protect human life. If they fail, it is reasonable to assume that the health of the user or other persons may be endangered.