

## Product brief

# Power PROFET™

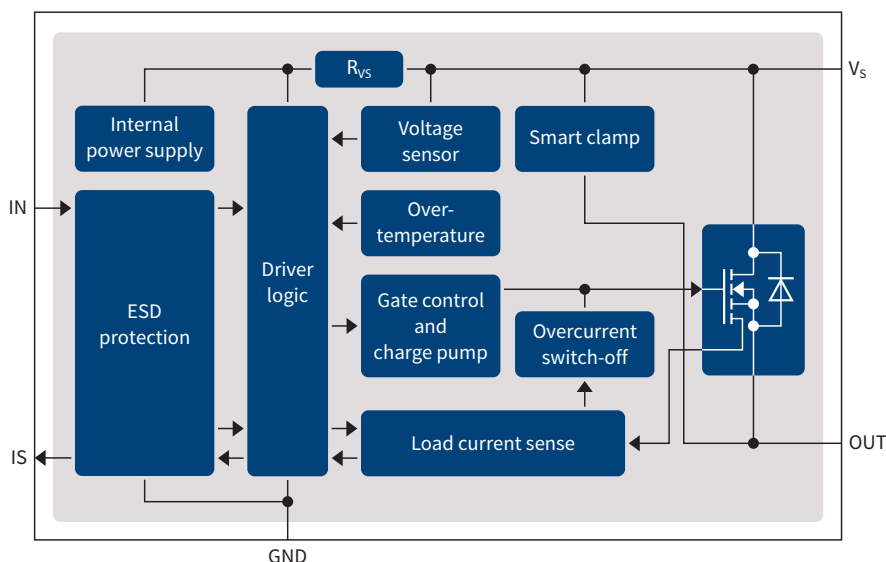
Benchmark low-ohmic smart switch with high inrush current for motor starters

Power PROFET™ BTS50010-1TAE is a smart high-side switch designed to drive currents up to 40 A DC in 12 V systems. With a  $R_{DS(on)}$  as low as 1.0 m $\Omega$ , the device is packaged in a D<sup>2</sup>PAK (TO263-7). The benchmark energy robustness and inrush current capability up to 250 A supports the requirements of motor starters for motorcycle and scooter engines. BTS50010-1TAE also addresses automotive, industrial and consumer applications.

BTS50010-1TAE replaces the starter relay offering higher levels of robustness and reliability, supporting millions of switching cycles and high short circuit robustness for short cables (< 2 m). Additionally, a system of BTS50010-1TAE plus load can be used as central load dump clamping, limiting the peak voltage to < 60 V. BTS50010-1TAE includes built-in diagnostic and protection features. Therefore, there is no need of external short circuit protection nor components for load current measurement such as shunt/PTC resistors. This saves PCB area and enables faster development cycles.

Safety and energy efficiency regulations worldwide force the electrification of different functions in two wheelers (e.g. EFI – Electric Fuel Injection). This provides a great opportunity to integrate in these electrified modules additional electronics and functions such as the starter relay. BTS50010-1TAE supports the electrification of starter relay simplifying the overall system architecture and the total system cost.

### Block diagram



### Key features

- > High-side switch for 12 V systems
- > Ultra-low  $R_{DS(on)}$  1.0 m $\Omega$
- > High inrush current up to 250 A
- > Benchmark energy capability  
 $E_{AR}$  460 mJ at 40 A,  $E_{AS}$  4000 mJ at 40 A
- > Built-in diagnostic and protection
- > Overload protection
- > Undervoltage protection
- > Short circuit protection
- > Clamp voltage  $28\text{ V} < V_{DS(CL)} < 46\text{ V}$
- > Standard SMD package TO263-7 (D<sup>2</sup>PAK)

### Key benefits

- > High mechanical and electrical reliability (> 1 Mio switching cycles)
- > Increased system robustness
- > Space savings due to small form factor and PCB integration

### Key applications

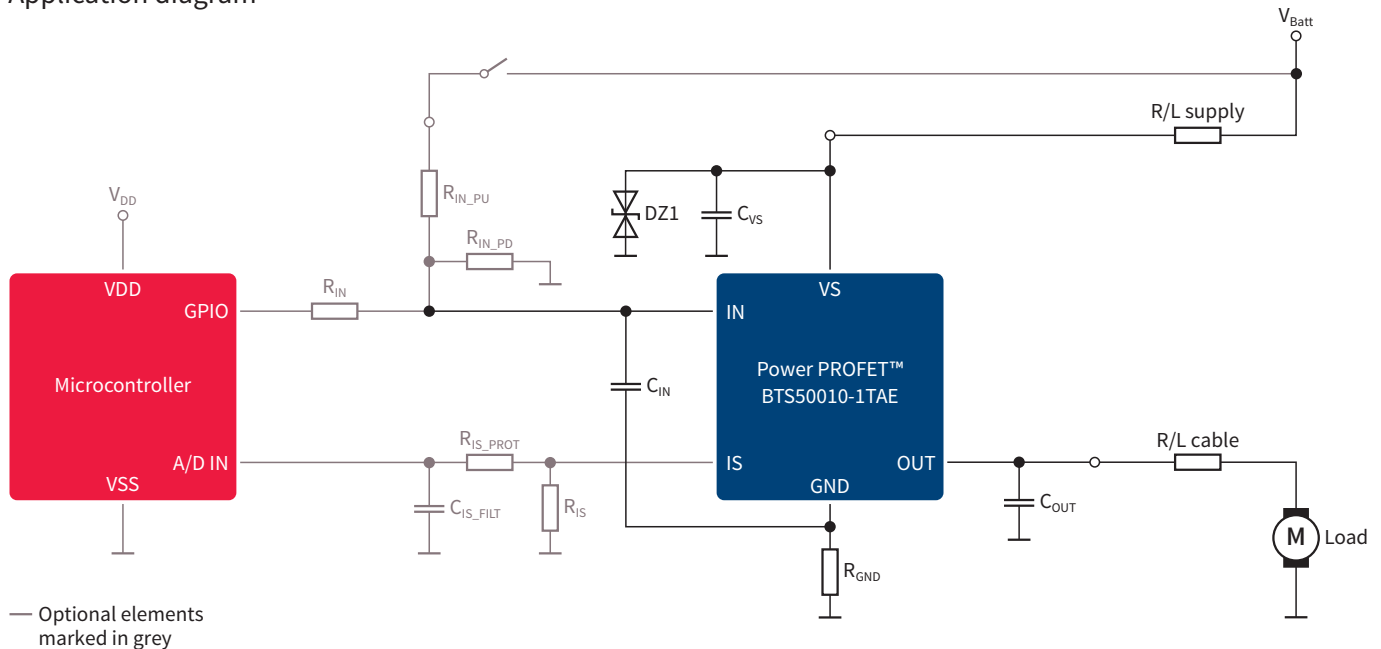
- > Motorcycle and scooter starter relay
- > Relay and fuse replacement in automotive applications with > 5.5 V and low inductance
- > Starters for small motors and engines: lawn mowers, chainsaws
- > Inductive and capacitive loads for 12 V CAV, industrial and commercial inductive and capacitive loads
- > Relay and fuse replacement



# Power PROFET™

Benchmark low-ohmic smart switch with high inrush current for motor starters

## Application diagram



## Product table

Type	$R_{DS(on)}$ (typ) at $T_J = 25^\circ\text{C}$ [m $\Omega$ ]	$I_{L(NOM)}$ [A]	$I_{L(SC)}$ (min) [A]	$E_{AR}$ at $I_{L(NOM)}$ [mJ]	Nominal operating voltage [V]	Extended operating voltage [V]	Ordering code	Package	Status
BTS50010-1TAE	1.0	40	250	460	8 ... 18	5.5 ... 28	SP001666132	TO263-7 (D <sup>2</sup> PAK)	In production

Published by  
Infineon Technologies AG  
81726 Munich, Germany

© 2018 Infineon Technologies AG.  
All Rights Reserved.

### Please note!

THIS DOCUMENT IS FOR INFORMATION PURPOSES ONLY AND ANY INFORMATION GIVEN HEREIN SHALL IN NO EVENT BE REGARDED AS A WARRANTY, GUARANTEE OR DESCRIPTION OF ANY FUNCTIONALITY, CONDITIONS AND/OR QUALITY OF OUR PRODUCTS OR ANY SUITABILITY FOR A PARTICULAR PURPOSE. WITH REGARD TO THE TECHNICAL SPECIFICATIONS OF OUR PRODUCTS, WE KINDLY ASK YOU TO REFER TO THE RELEVANT PRODUCT DATA SHEETS PROVIDED BY US. OUR CUSTOMERS AND THEIR TECHNICAL DEPARTMENTS ARE REQUIRED TO EVALUATE THE SUITABILITY OF OUR PRODUCTS FOR THE INTENDED APPLICATION.

WE RESERVE THE RIGHT TO CHANGE THIS DOCUMENT AND/OR THE INFORMATION GIVEN HEREIN AT ANY TIME.

### Additional information

For further information on technologies, our products, the application of our products, delivery terms and conditions and/or prices, please contact your nearest Infineon Technologies office ([www.infineon.com](http://www.infineon.com)).

### Warnings

Due to technical requirements, our products may contain dangerous substances. For information on the types in question, please contact your nearest Infineon Technologies office.

Except as otherwise explicitly approved by us in a written document signed by authorized representatives of Infineon Technologies, our products may not be used in any life-endangering applications, including but not limited to medical, nuclear, military, life-critical or any other applications where a failure of the product or any consequences of the use thereof can result in personal injury.