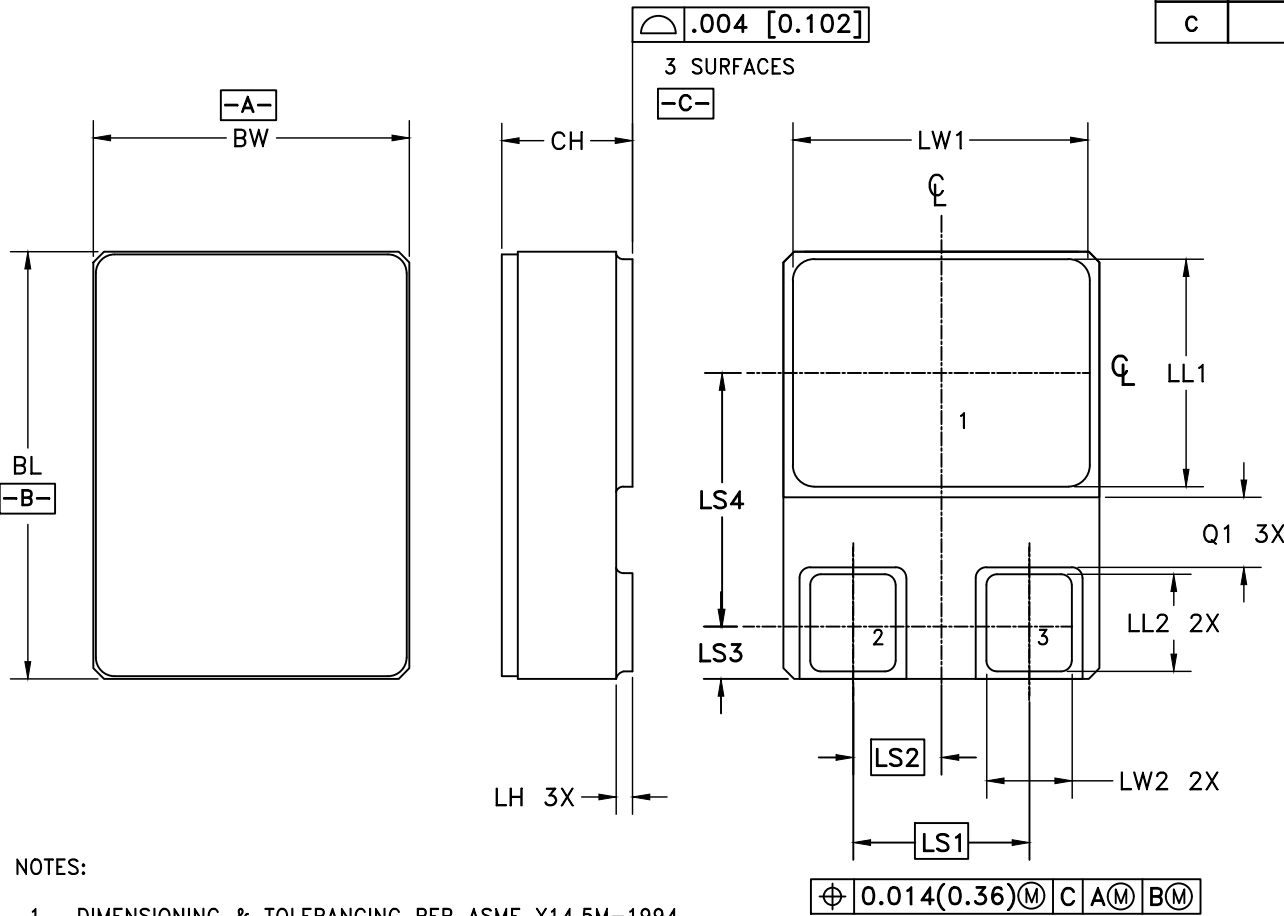


REV.	DESCRIPTION	ECN	DATE
C	CHANGE PER ECN	1120_09649	7-31-23



Dimensions				
Symbol	Inches		Millimeters	
	Min	Max	Min	Max
BL	0.395	0.405	10.04	10.28
BW	0.291	0.301	7.4	7.64
CH		0.122		3.09
LH	0.008	0.022	0.20	0.55
LW1	0.271	0.281	6.88	7.14
LW2	0.075	0.085	1.91	2.16
LL1	0.208	0.218	5.28	5.54
LL2	0.087	0.097	2.21	2.46
LS1	.165 BSC		4.19 BSC	
LS2	.083 BSC		2.10 BSC	
LS3	.053 BSC		1.35 BSC	
LS4	.234 BSC		5.93 BSC	
Q1	0.06		0.152	

NOTES:

1. DIMENSIONING & TOLERANCING PER ASME Y14.5M-1994.
2. CONTROLLING DIMENSION: INCH.
3. DIMENSIONS ARE SHOWN IN INCHES [MILLIMETERS].
4. DIMENSION TOLERANCE ±.005.
5. STANDARD FINAL LEAD FINISH IS SOLDER ALLOY 63%Sn 37%Pb.
6. DIMENSIONS APPLY BEFORE SOLDER FINISH.



TITLE: SMD-0.5e with ceramic lid	
DRAWING NO. D101007G-WEB	REV C