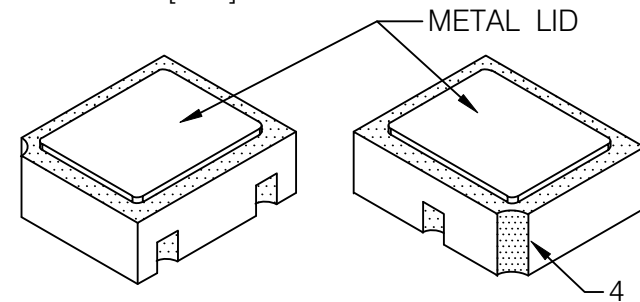
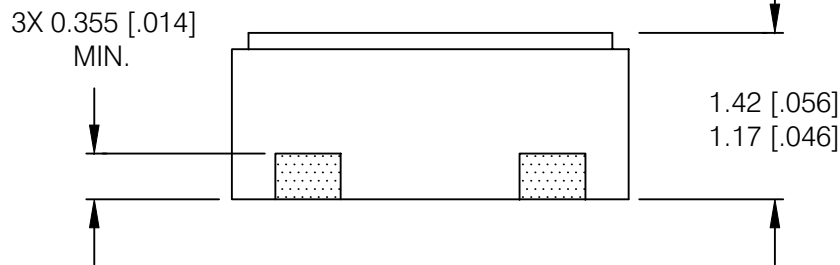
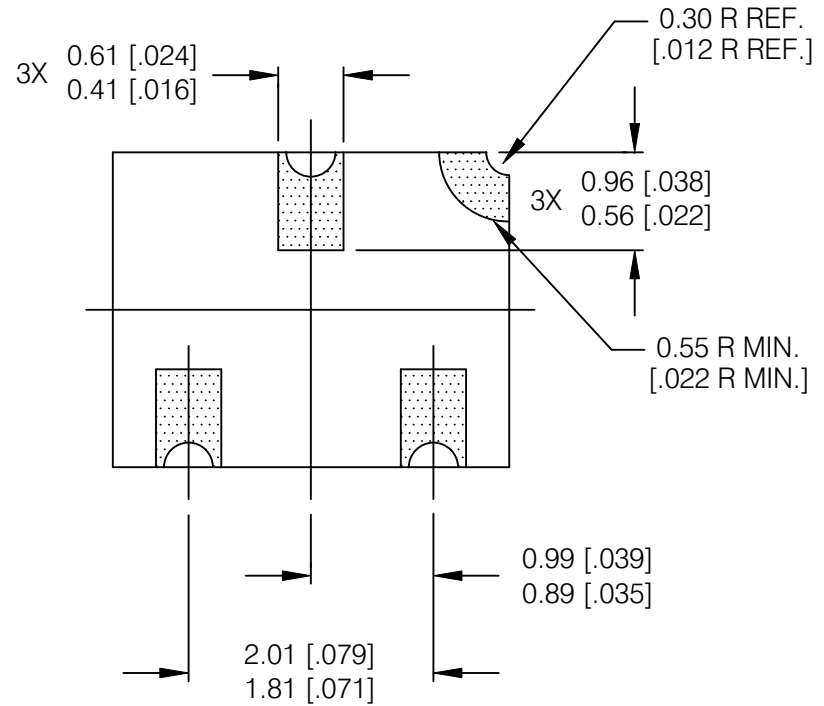
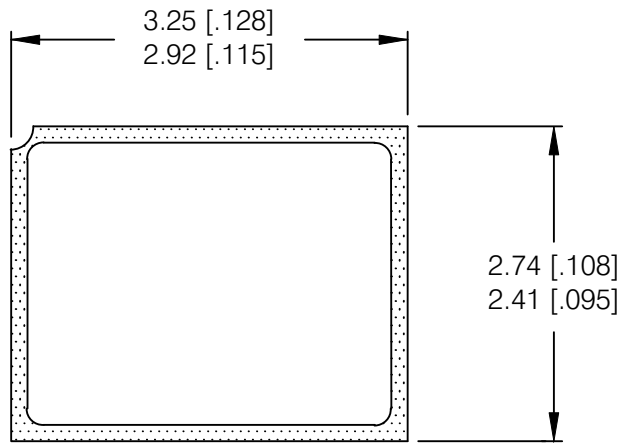


REV.	DESCRIPTION	ECN	DATE
B	CHANGE PER ECN	1120_08548	4-20-21



NOTES:

1. DIMENSIONING & TOLERANCING PER ASME Y14.5M-1994
2. CONTROLLING DIMENSION: INCH.
3. DIMENSIONS ARE SHOWN IN MILLIMETERS [INCHES].
4. HATCHED AREAS ON PACKAGE DENOTE METALIZATION AREAS.
5. STANDARD FINAL FINISH ON ALL TERMINALS IS SOLDER ALLOY 63%Sn 37%Pb.
6. PAD 4 IS ELECTRICALLY CONNECTED TO THE SEAL RING.

IOR HiRel
An Infineon Technologies Company

TITLE: UB PACKAGE OUTLINE
4 PAD WITH METAL LID

DRAWING NO.
D100914G-WEB

REV B