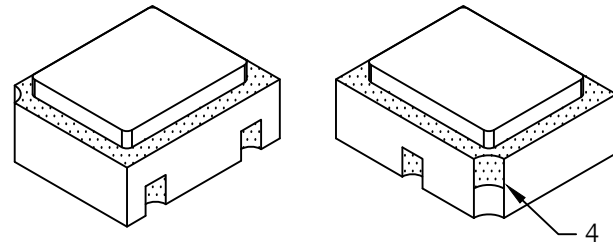
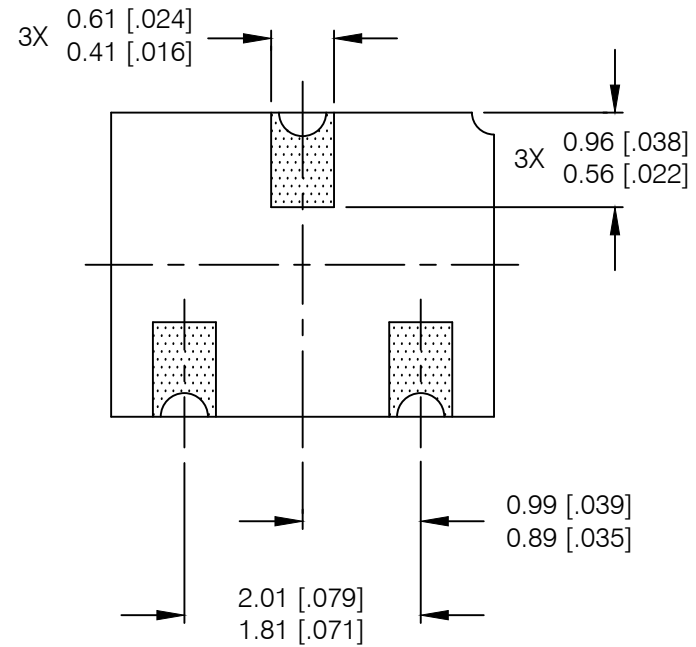
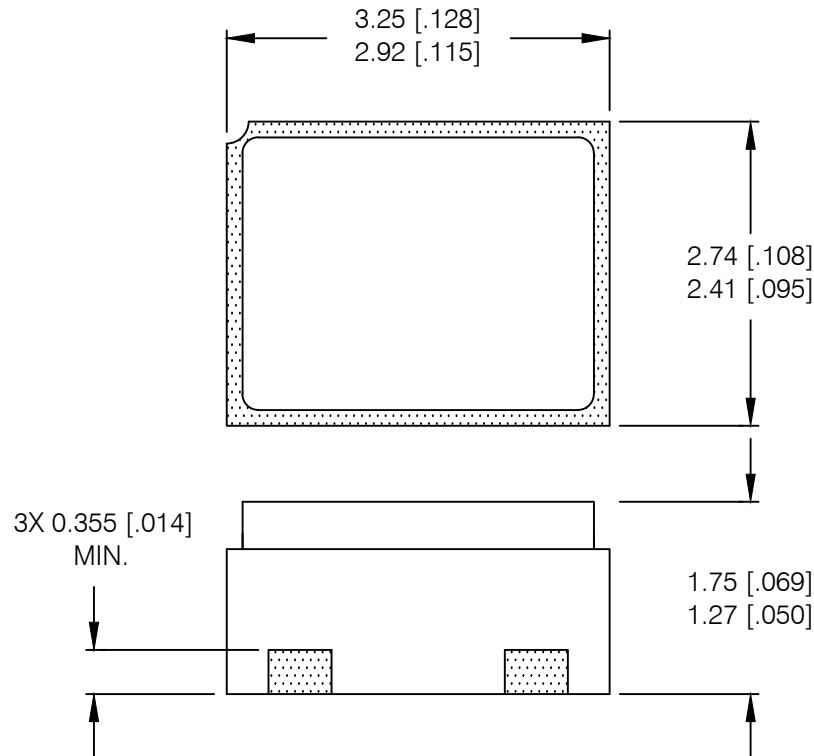


REV.	DESCRIPTION	ECN	DATE
C	INITIAL RELEASE	1120_ER6904	4-3-20



NOTES:

1. DIMENSIONING & TOLERANCING PER ASME Y14.5M-1994
2. CONTROLLING DIMENSION: INCH.
3. DIMENSIONS ARE SHOWN IN MILLIMETERS [INCHES].
4. HATCHED AREAS ON PACKAGE DENOTE METALIZATION AREAS.
5. STANDARD FINAL FINISH ON ALL TERMINALS IS SOLDER ALLOY 63%Sn 37%Pb.

IOR HiRel
An Infineon Technologies Company

TITLE: UB PACKAGE OUTLINE
WITH CERAMIC LID

DRAWING NO.
D100872G-WEB

REV C