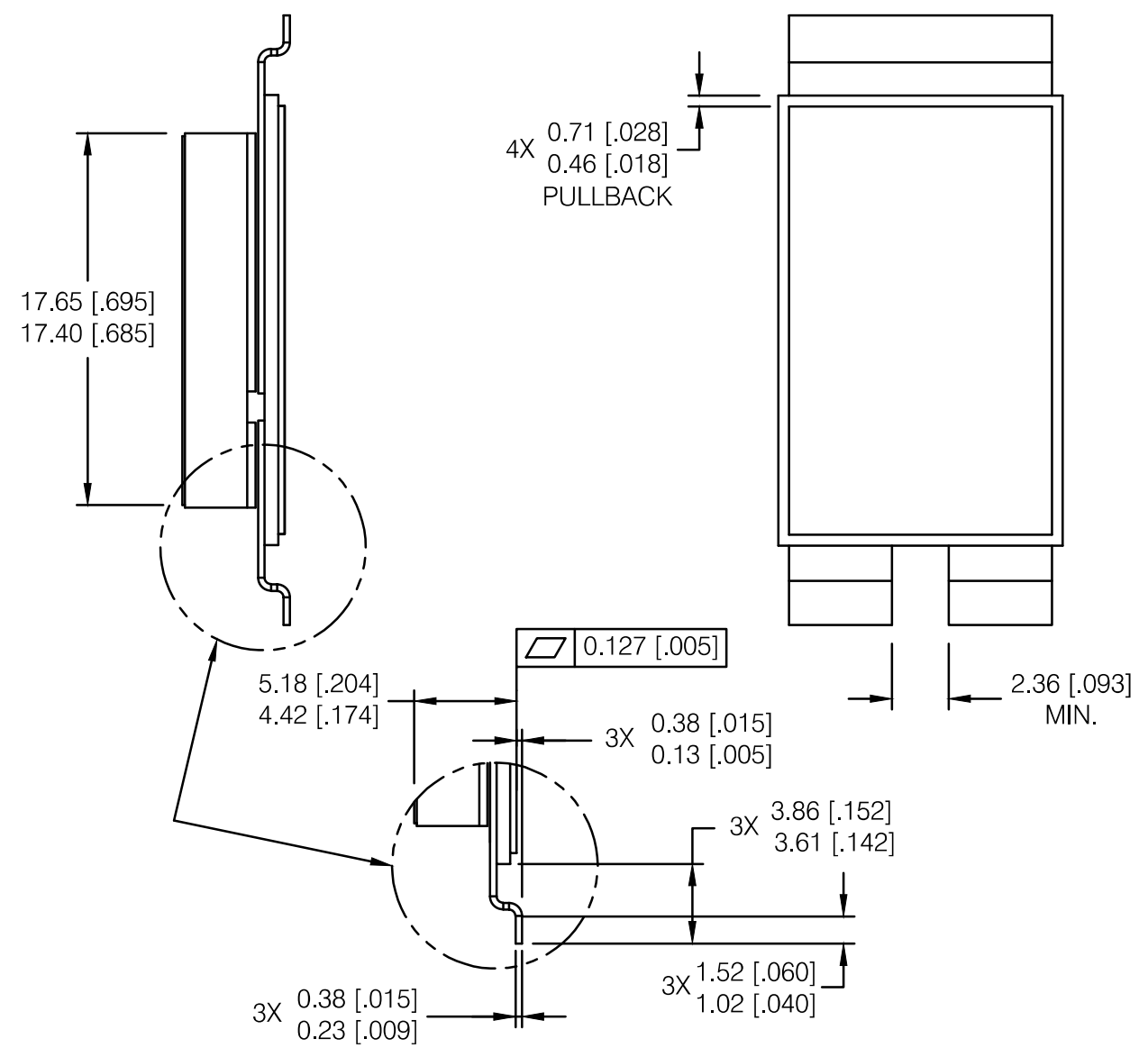
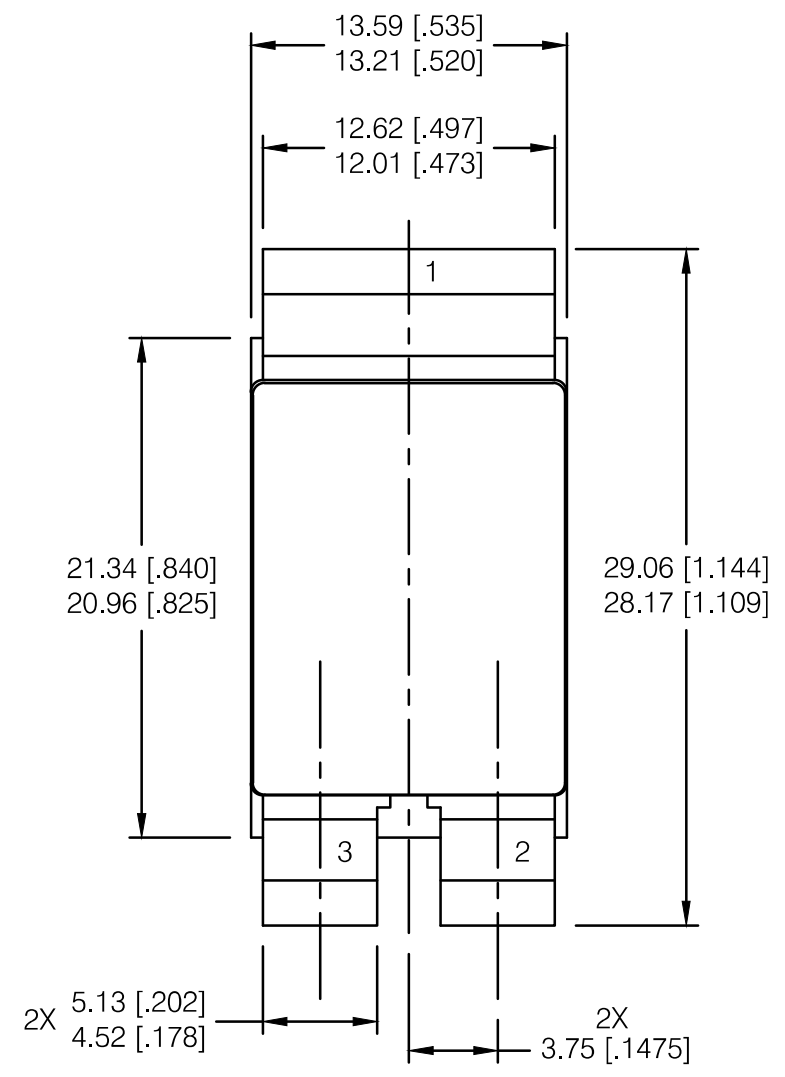


REV.	DESCRIPTION	ECN	DATE
F	CHANGE PER ECN	1120_09327	10-26-22



- NOTES:
1. DIMENSIONING & TOLERANCING PER ASME Y14.5M-1994.
  2. CONTROLLING DIMENSION: INCH
  3. DIMENSIONS ARE SHOWN IN MILLIMETERS [INCHES].
  4. STANDARD FINAL FINISH ON ALL TERMINALS IS 100%Au.



TITLE: SMD-2, SINGLE CARRIER, OUTLINE	
DRAWING NO. D100781G-WEB	REV F