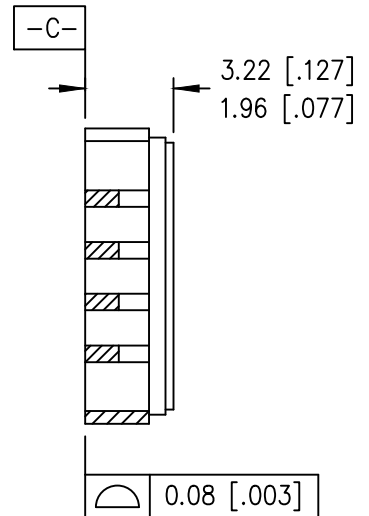
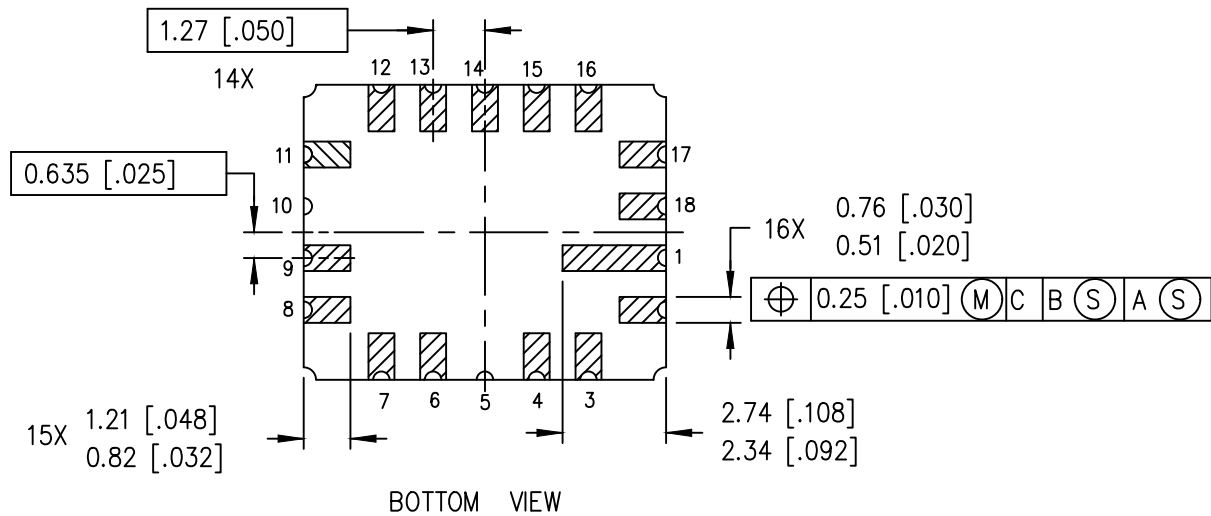
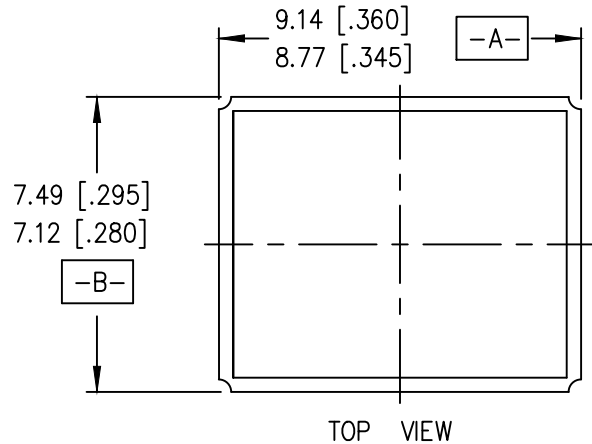


REV.	DESCRIPTION	ECN	DATE
A	INITIAL RELEASE	1120_ER6904	4-3-20



NOTES:

1. DIMENSIONING & TOLERANCING PER ANSI Y14.5M-1982.
2. CONTROLLING DIMENSION: INCH.
3. DIMENSIONS ARE SHOWN IN MILLIMETERS [INCHES].
4. STANDARD FINAL FINISH ON ALL TERMINALS IS SOLDER ALLOY 63%Sn 37%Pb.

IOR HiRel
An Infineon Technologies Company

TITLE:
18LCC CIC PACKAGE OUTLINE

DRAWING NO.
D100722G-WEB

REV A