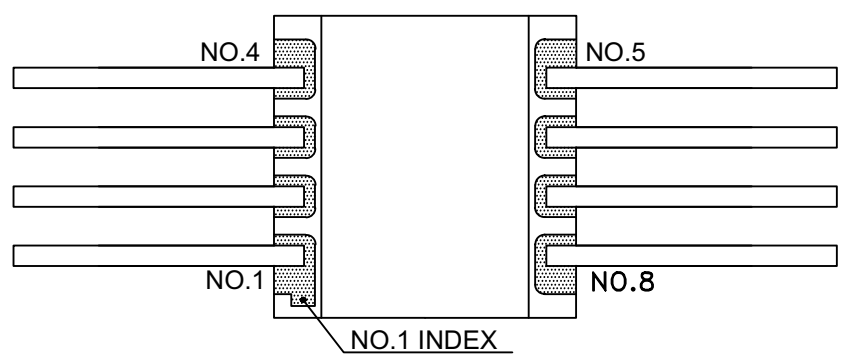
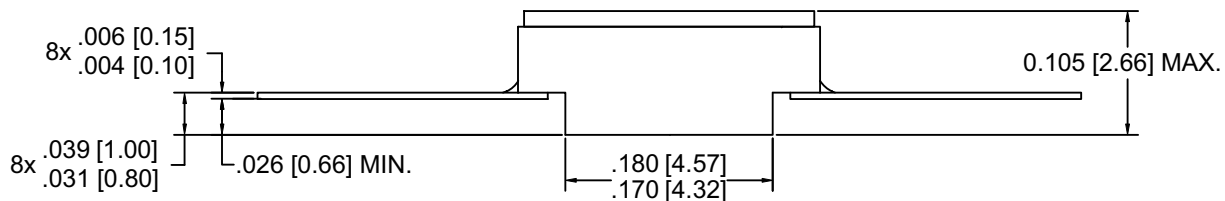
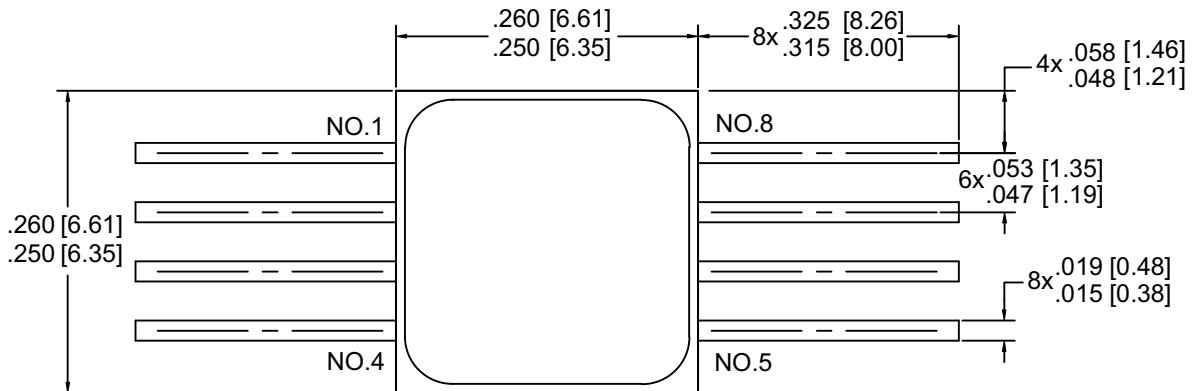


PART NO. D100999G	REV.	DESCRIPTION	ECN	DATE
	A	INITIAL RELEASE	1120_ER7304	1-20-22



- NOTES:
1. DIMENSIONING & TOLERANCING IN ACCORDANCE WITH LATEST ASME Y14.5.
 2. CONTROLLING DIMENSION: INCH.
 3. DIMENSIONS ARE SHOWN IN INCHES [MILLIMETERS].
 4. STANDARD FINAL FINISH ON ALL TERMINALS IS SOLDER ALLOY 63%Sn 37%Pb

Approvals Drawn By <u>R. GALLANT</u> Name <u>R. GALLANT</u> Signature <u>R. Gallant</u> Date <u>1-20-22</u> APPROVALS ON FILE	IR HiRel An Infineon Technologies Company 205 Crawford Street Leominster, Ma. 01453	TITLE: CASE OUTLINE WEB: 8L FLATPACK	
		DRAWING NO. D100999-WEB	
This is proprietary information of IR HiRel and it is understood that this will not be divulged to a third party or used in any way prejudicial to the interest of IR HiRel.	UNLESS OTHERWISE SPECIFIED DIMENSIONS ARE IN INCHES TOLERANCES ARE: XXX = ± .005 XX = ± .01 ANGLES = ± .5°	SCALE NONE	REV. A
		CODE ID 69210	SHT. OF 1 1