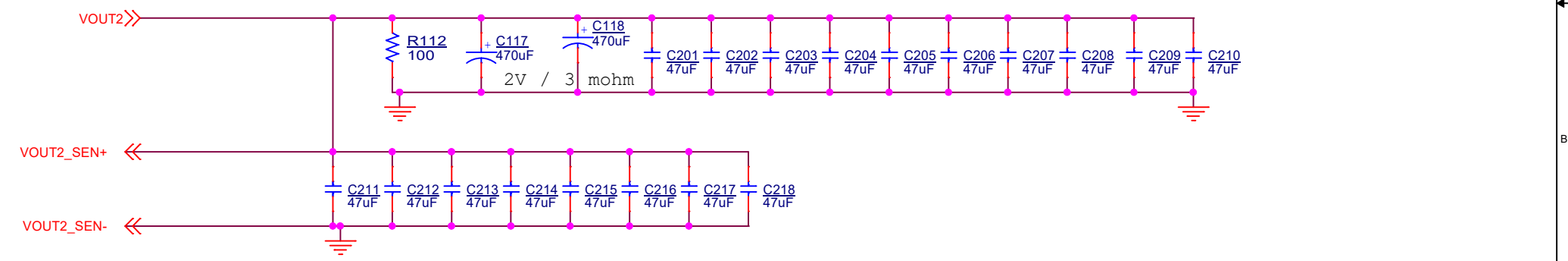
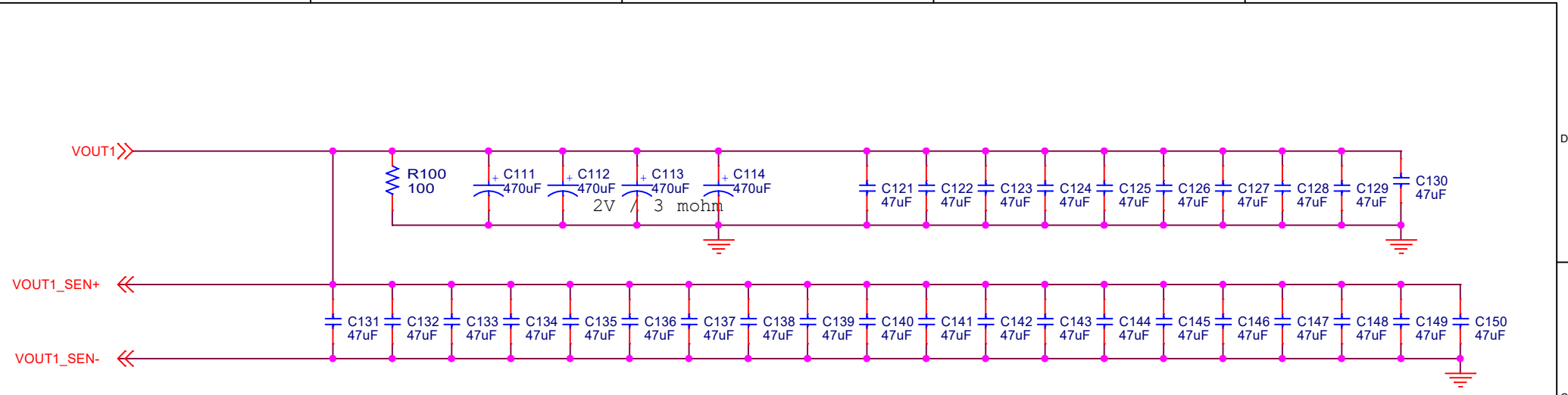


Title		
IR35215_TDA21472 - 2+1 Phases 0V72 Core + 1V2 DDR4		
Size	Document Number	Rev
A	IR35215 Acadia Controller	0
Date:	Tuesday, September 25, 2018	Sheet 1 of 3



Title		
IR35215_TDA21472 - 2+1 Phases 0V72Core + 1V2 DDR4		
Size	Document Number	Rev
Custom	Output Caps	0
Date:	Tuesday, September 25, 2018	Sheet 3 of 3