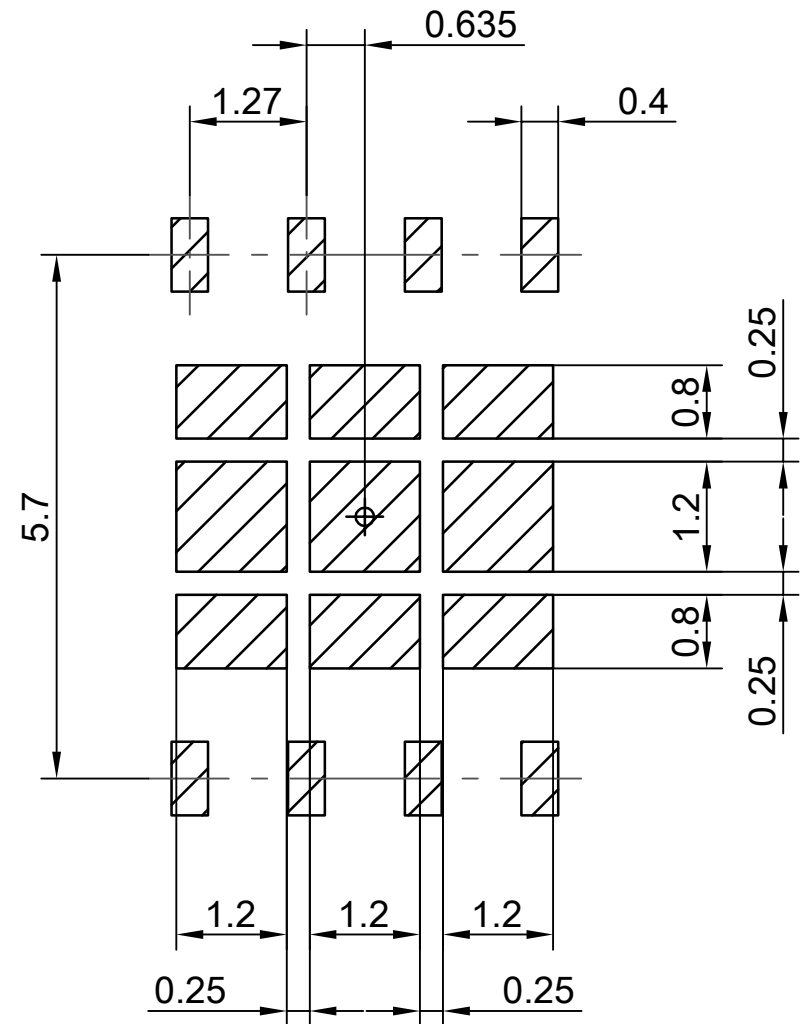
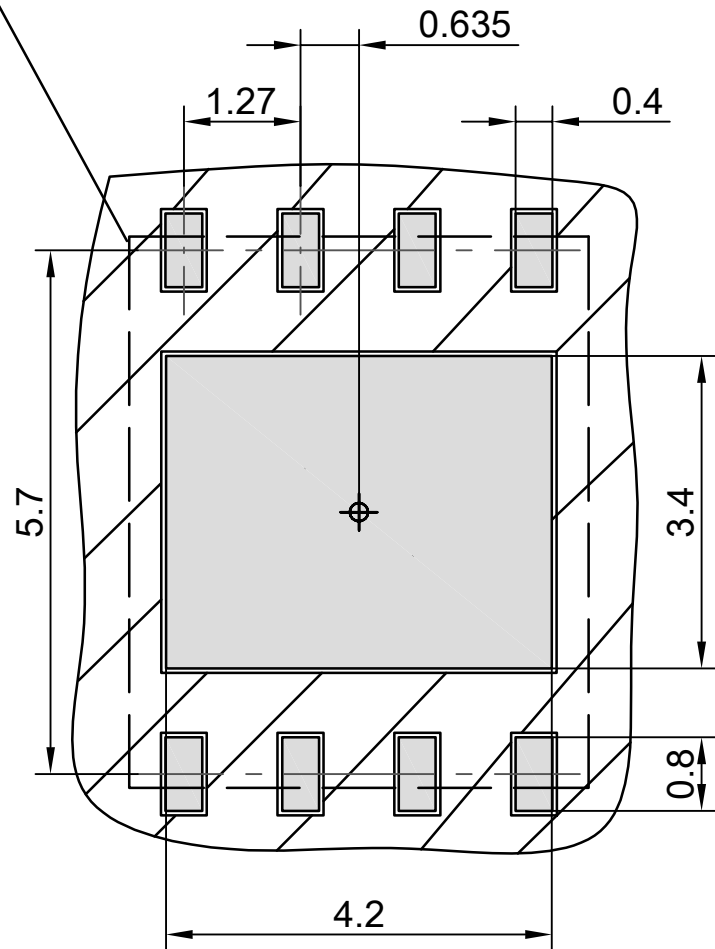
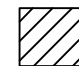


Package Outline 5x6



 copper

 solder mask

 stencil apertures

ALL DIMENSIONS ARE IN UNITS MM