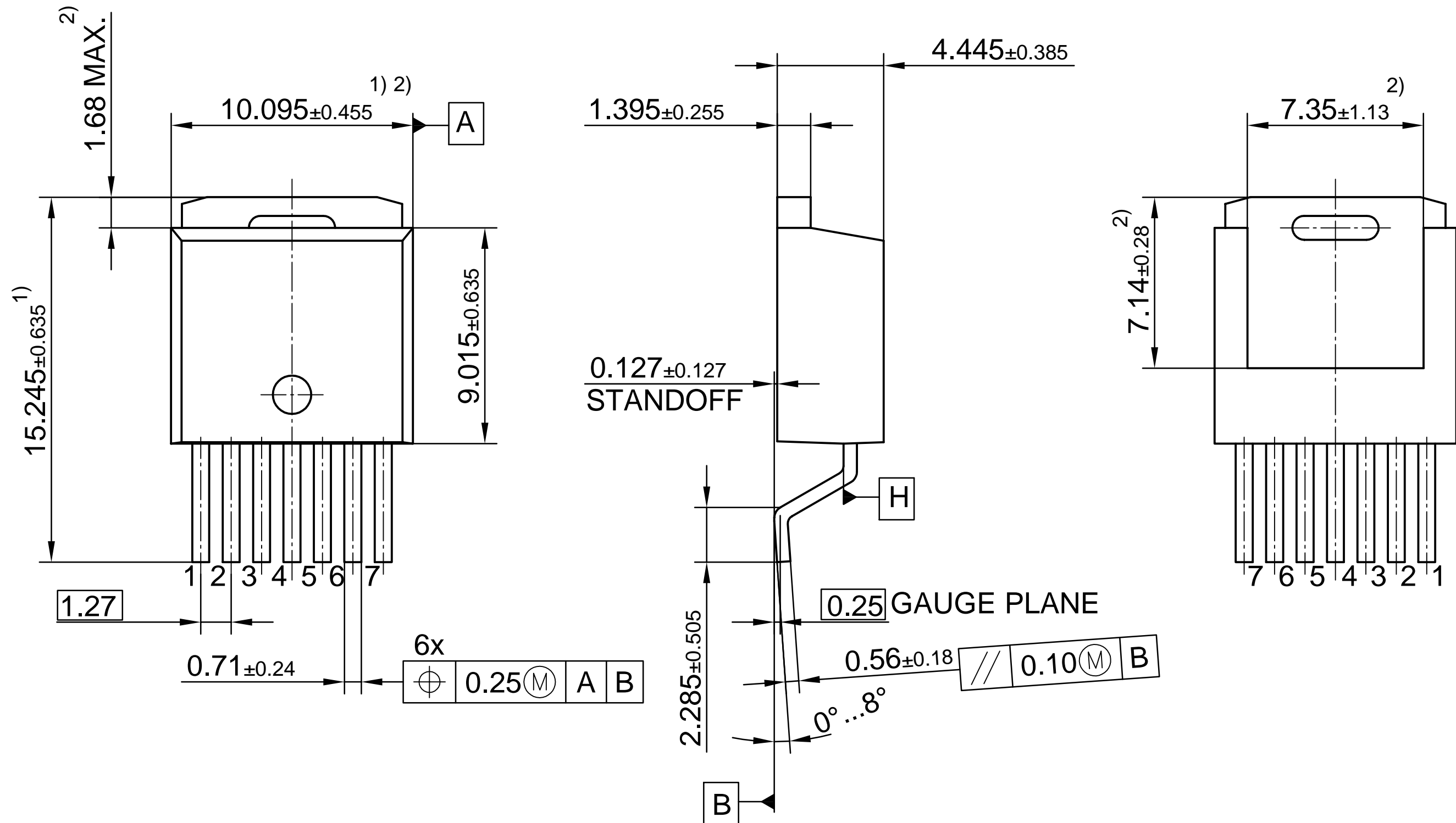
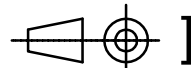


BOTTOM VIEW



1) DIMENSIONS DO NOT INCLUDE MOLD FLASH, MOLD FLASH SHALL NOT EXCEED 0.127 PER SIDE, THESE DIMENSION ARE MEASURED AT THE OUTMOST EXTREMES OF PLASTIC BODY AT DATUM H
 2) THERMAL PAD CONTOUR IS OPTIONAL, DATUM A & B TO BE DETERMINED AT DATUM PLANE H
 ALL DIMENSIONS ARE IN UNITS MM
 THE DRAWING IS IN COMPLIANCE WITH ISO 128 & PROJECTION METHOD 1 []