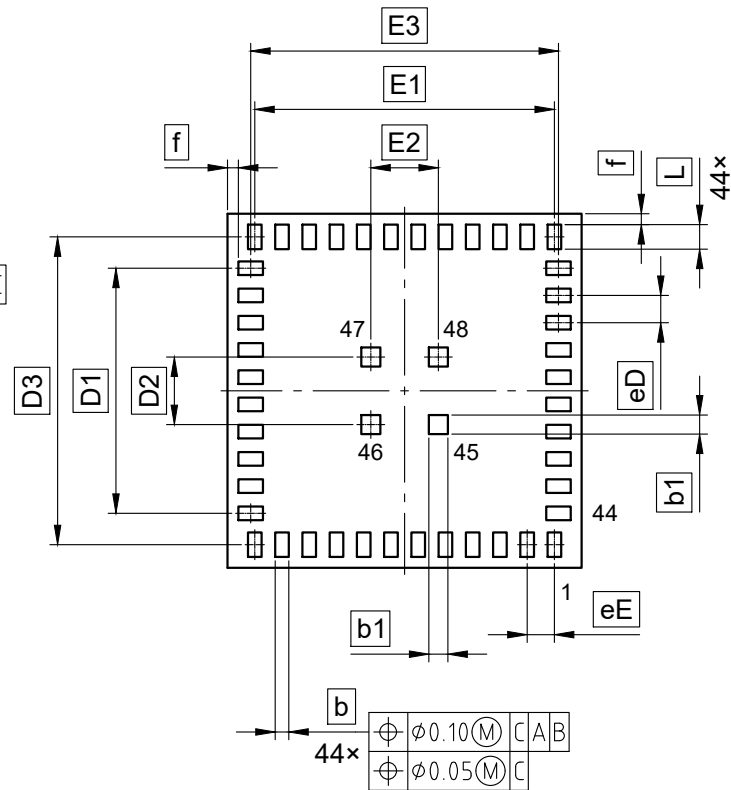



Bottom view



SYMBOL	DIMENSIONS		
	MIN.	NOM.	MAX.
A	-	-	1.20
D	6.50 BSC		
E	6.50 BSC		
D1	4.50 BSC		
E1	5.50 BSC		
D2	1.24 BSC		
E2	1.24 BSC		
D3	5.65 BSC		
E3	5.65 BSC		
b	0.25 BSC		
b1	0.35 BSC		
L	0.45 BSC		
f	0.20 BSC		
eD	0.50 BSC		
eE	0.50 BSC		

All dimensions are in units mm

The drawing is in compliance with ISO 128-30, Projection Method 1 [  ]

Drawing according to ISO 8015, general tolerances ISO 2768-mK