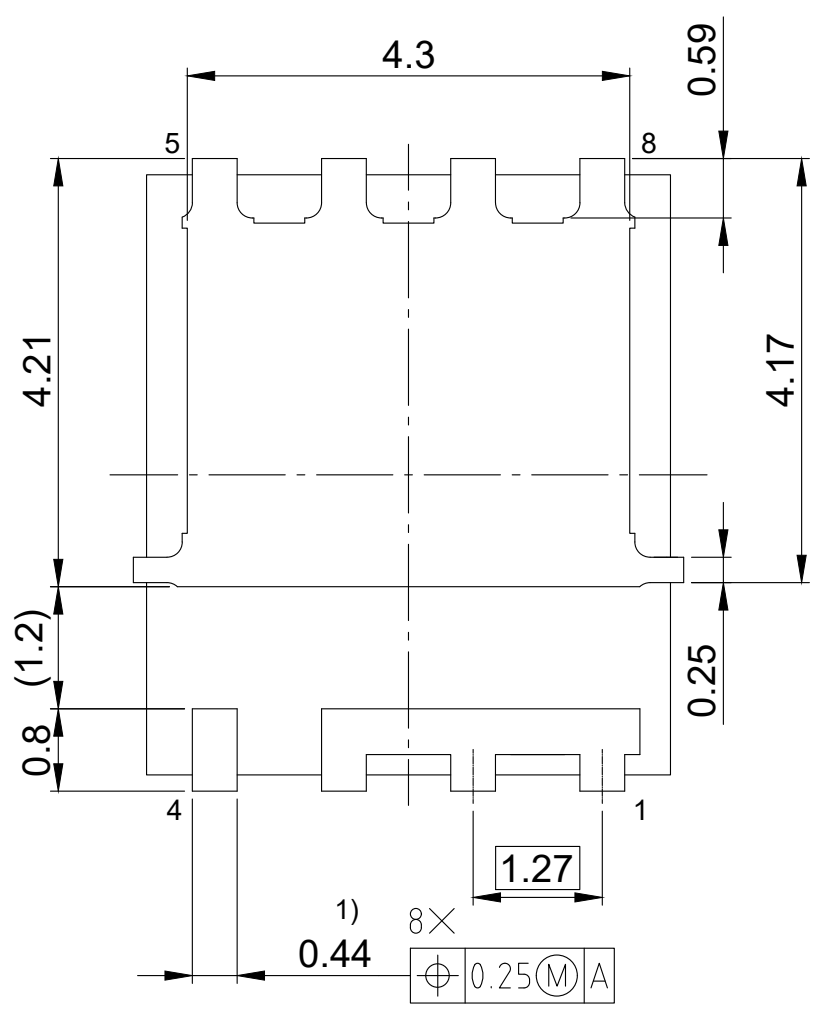
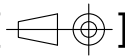


Bottom view



- 1) Excluded mold flash.
- 2) Removal on mold gate: intrusion 0.1mm, protusion 0.1mm
- 3) Lead length up to anti flash line.
- 4) All metal surfaces are plated, except area of cut.

All dimensions are in units mm

The drawing is in compliance with ISO 128-30, Projection Method 1 [  ]

Drawing according to ISO 8015, general tolerances  $\pm 0.1; \pm 1^\circ 30'$