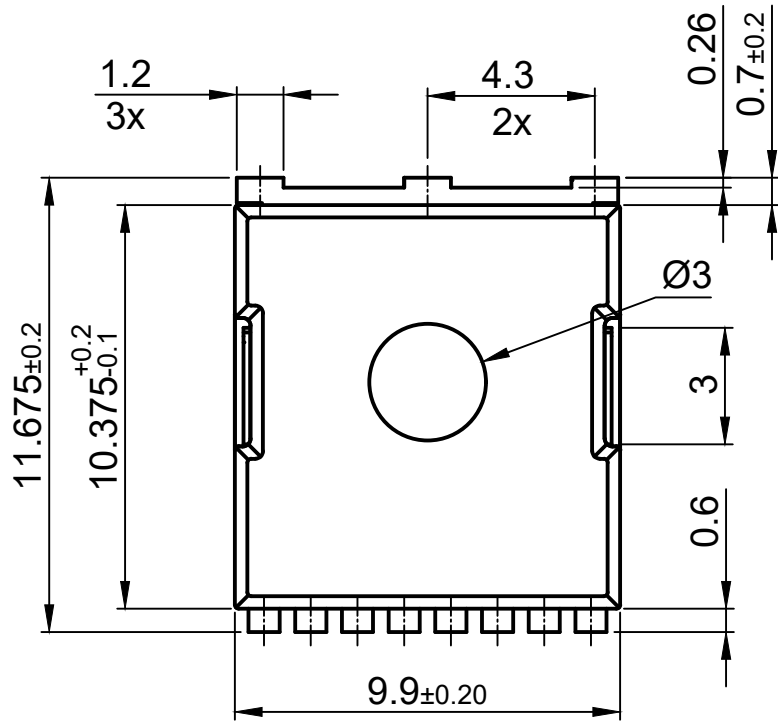
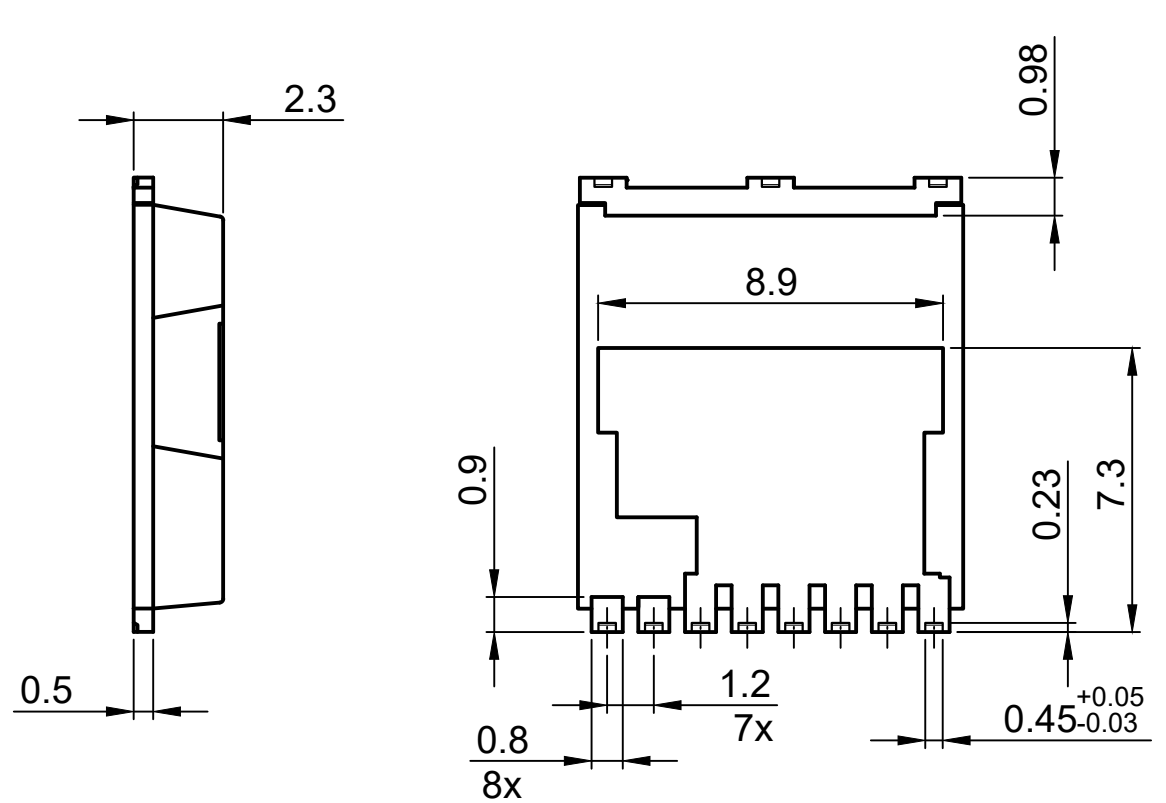



TOP VIEW



BOTTOM VIEW



All dimensions are in units mm

The drawing is in compliance with ISO 128-30, Projection Method 1 []