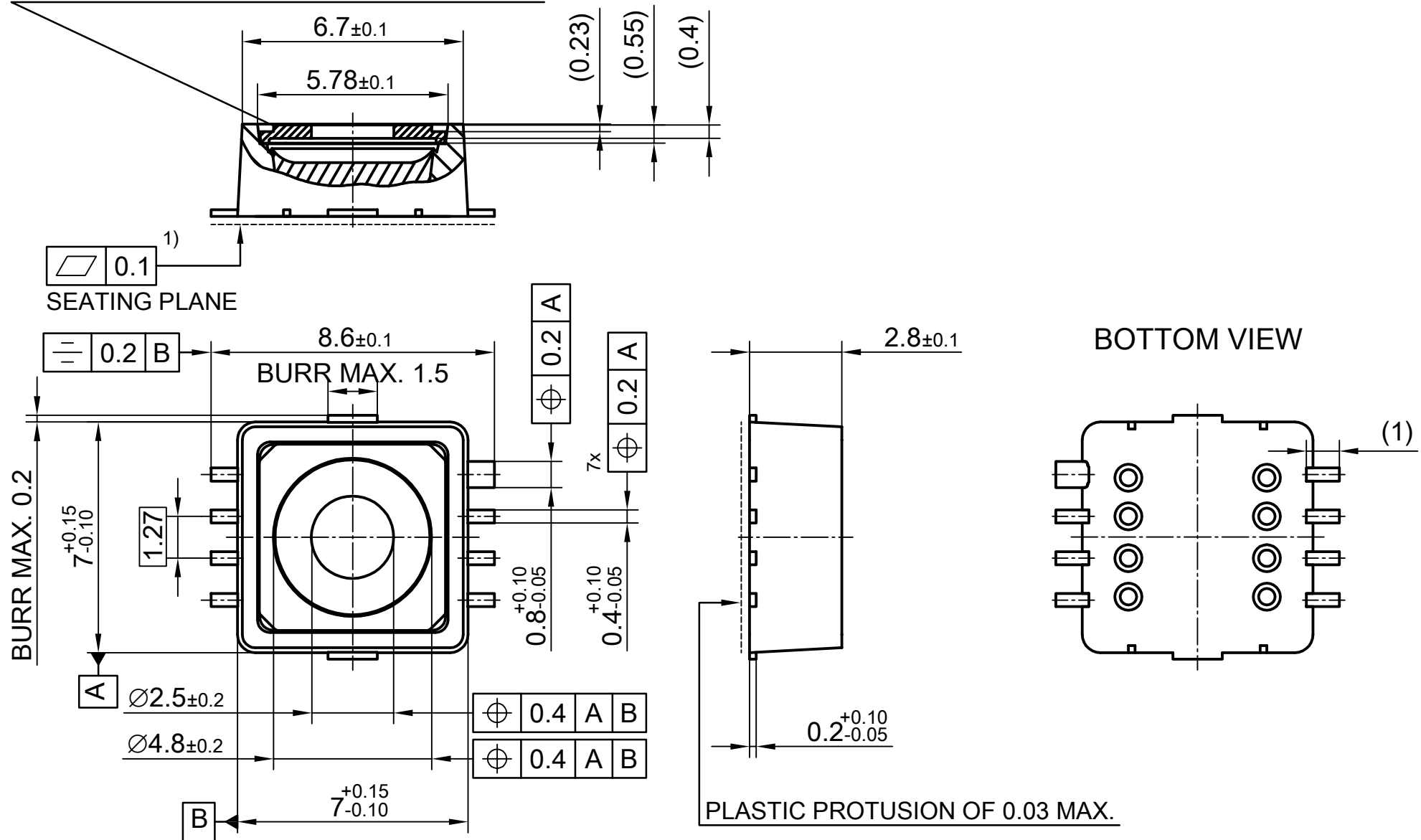


OVERHANG OF COVER IS NOT ALLOWED



OUTER DIMENSION DOES NOT INCLUDE PROTUSION OR INTRUSION OF 0.2 MAX. PER SIDE

1) VALID FOR THE WHOLE SEATING PLANE INCLUDED TIEBAR AREA

ALL DIMENSIONS ARE IN UNITS MM

THE DRAWING IS IN COMPLIANCE WITH ISO 128 & PROJECTION METHOD 1 []