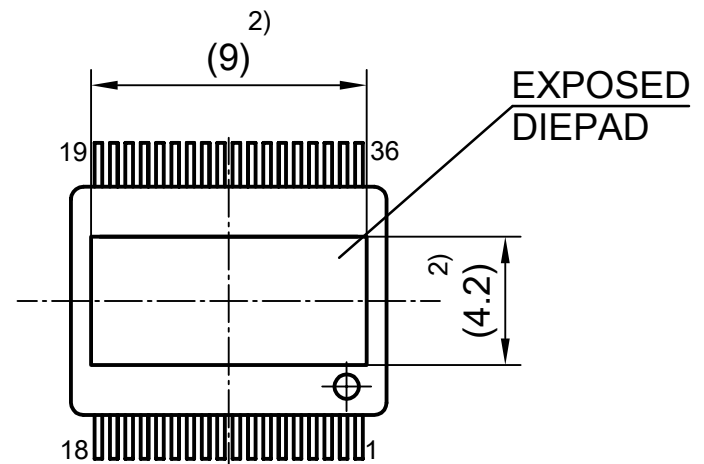


BOTTOM VIEW



- 1) DOES NOT INCLUDE PLASTIC OR METAL PROTRUSION OF  $0.15 \text{ MAX.}$  PER SIDE
- 2) EXPOSED DIEPAD DIMENSIONS EXCLUDING MOLD FLASH OF  $0.3 \text{ MM MAX.}$  PER SIDE
- 3) DOES NOT INCLUDE DAMBAR PROTUSION OF  $0.05 \text{ MAX.}$  PER SIDE

ALL DIMENSIONS ARE IN UNITS MM

THE DRAWING IS IN COMPLIANCE WITH ISO 128 & PROJECTION METHOD 1 [  ]