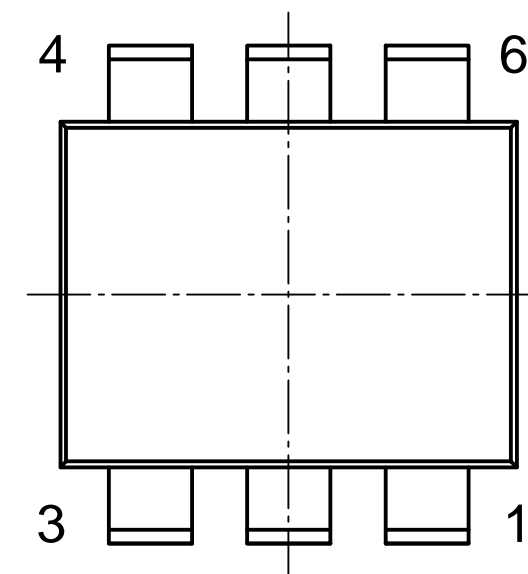
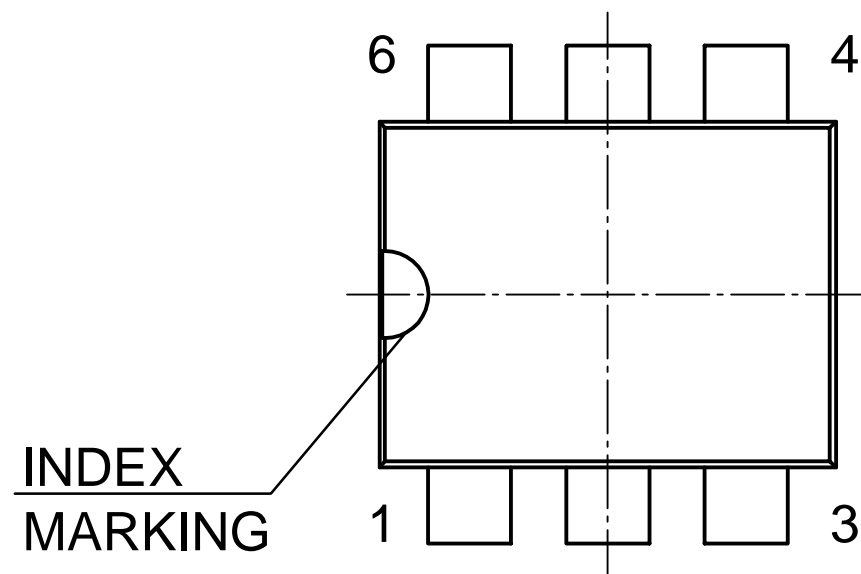
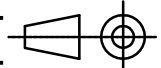


BOTTOM VIEW



1) DIMENSION DOES NOT INCLUDE MOLD PROTRUSIONS, MOLD PROTRUSIONS SHALL NOT EXCEED 0.25
 ALL DIMENSIONS ARE IN UNITS MM
 THE DRAWING IS IN COMPLIANCE WITH ISO 128 & PROJECTION METHOD 1 []