



Please note that Cypress is an Infineon Technologies Company.

The document following this cover page is marked as “Cypress” document as this is the company that originally developed the product. Please note that Infineon will continue to offer the product to new and existing customers as part of the Infineon product portfolio.

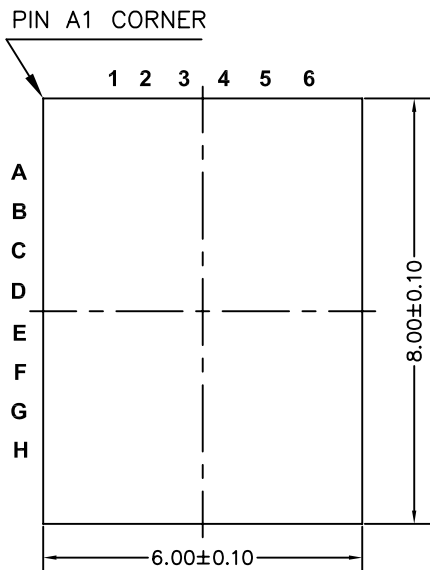
Continuity of document content

The fact that Infineon offers the following product as part of the Infineon product portfolio does not lead to any changes to this document. Future revisions will occur when appropriate, and any changes will be set out on the document history page.

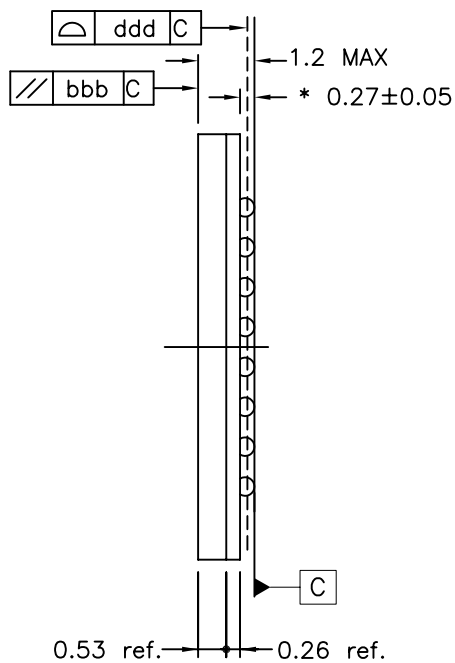
Continuity of ordering part numbers

Infineon continues to support existing part numbers. Please continue to use the ordering part numbers listed in the datasheet for ordering.

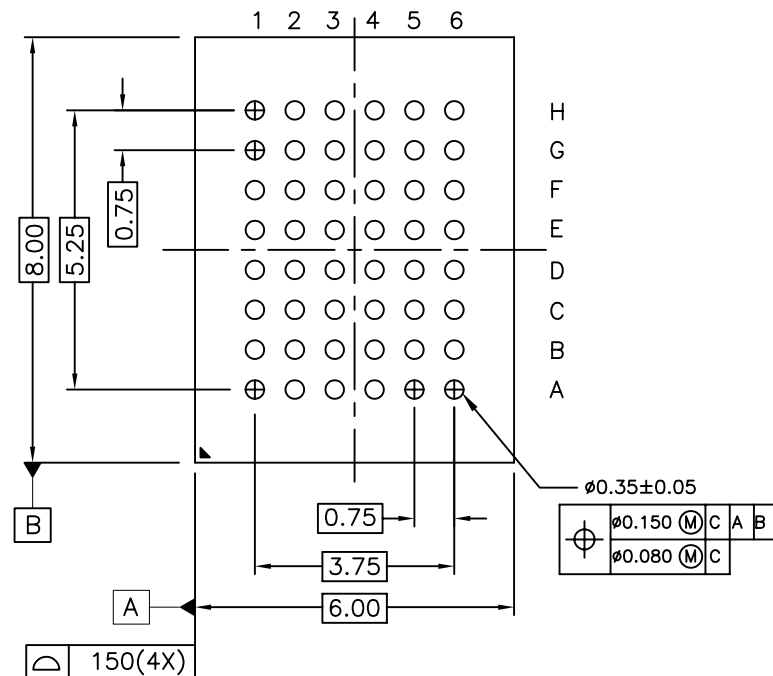
TOP VIEW



SIDE VIEW




BOTTOM VIEW



NOTES :

1. DIMENSIONS ARE IN MILLIMETERS
2. REFERENCE JEDEC STD : MO-216
3. * 0.32 ± 0.05 FOR RAMTRON DEVICES

 CYPRESS Company Confidential		TITLE PACKAGE OUTLINE, 48L FBGA 6X8X1.2 MM BA48M/BK48M (0.35MM BALL DIAMETER)	
		SPEC NO. 001-85259	REV *A
SCALE: 1:1		SHEET 1 OF 2	

THIS DRAWING CONTAINS INFORMATION WHICH IS THE PROPRIETARY PROPERTY OF CYPRESS SEMICONDUCTOR CORPORATION. THIS DRAWING IS RECEIVED IN CONFIDENCE AND ITS CONTENTS MAY NOT BE DISCLOSED WITHOUT WRITTEN CONSENT OF CYPRESS SEMICONDUCTOR CORPORATION.

PACKAGE CODE(S) BA48M/BK48M

1

2

3

4

5

6

A

A

B

B

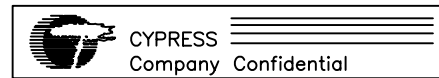
C

C

D

D

Rev.	ECN No.	Origin of Change	Description of Change
**	3910002	EDCA/JVP	NEW RELEASE
*A	3925978	ROWI/QAD	CHANGE STAND OFF VALUE TO 0.27±0.05 CHANGED BALL DIAMETER TO 0.35 ADDED NOTE NUMBER 3



CYPRESS
Company Confidential

TITLE
PACKAGE OUTLINE, 48L FBGA 6X8X1.2 MM BA48M/BK48M
(0.35MM BALL DIAMETER)

SPEC NO. 001-85259 REV *A

SCALE: 1:1 SHEET 2 OF 2

THIS DRAWING CONTAINS INFORMATION WHICH IS THE PROPRIETARY PROPERTY OF CYPRESS SEMICONDUCTOR CORPORATION. THIS DRAWING IS RECEIVED IN CONFIDENCE AND ITS CONTENTS MAY NOT BE DISCLOSED WITHOUT WRITTEN CONSENT OF CYPRESS SEMICONDUCTOR CORPORATION.

PACKAGE CODE(S)

BA48M/BK48M

1

2

3

4

5

6