



Please note that Cypress is an Infineon Technologies Company.

The document following this cover page is marked as “Cypress” document as this is the company that originally developed the product. Please note that Infineon will continue to offer the product to new and existing customers as part of the Infineon product portfolio.

Continuity of document content

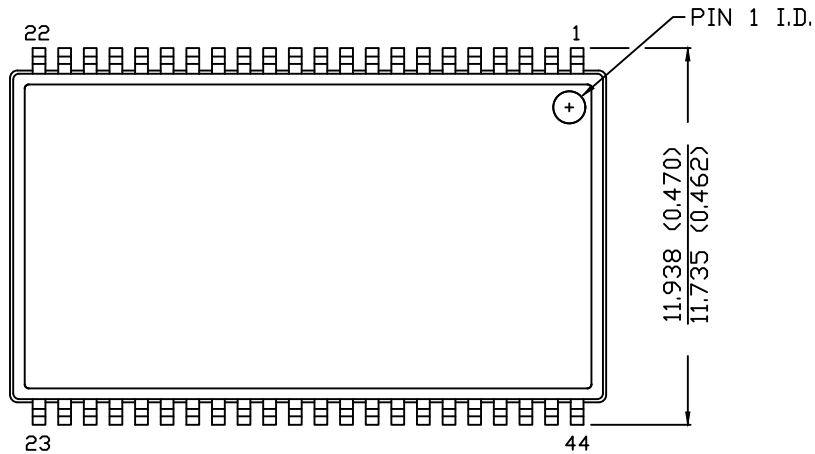
The fact that Infineon offers the following product as part of the Infineon product portfolio does not lead to any changes to this document. Future revisions will occur when appropriate, and any changes will be set out on the document history page.

Continuity of ordering part numbers

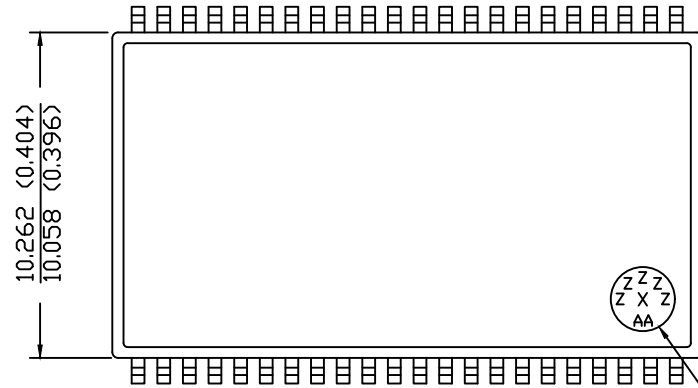
Infineon continues to support existing part numbers. Please continue to use the ordering part numbers listed in the datasheet for ordering.

44 Lead TSOP TYPE II – STANDARD

REVISIONS						
PAGE	ZONE	REV	ECN	DESCRIPTION	DATE	APPROVED
		**	46426	NEW RELEASE	10/08/96	
		*A	49487	CHG. TITLE	06/11/97	
1	-	*B	2779866	CHANGED TO STANDARD DRAWING TEMPLATE	10/07/09	TSV
1	-			CHANGED TITE FROM 44LD TSOP II PKG OUTLINE TO PACKAGE OUTLINE 44L TSOP Z44-II		
1	-	*C	2889922	CHANGE EJECTOR PIN TO EJECTOR MARK, ADD NOTES ON THE EJECTOR MARK	03/10/10	TSV
1	-	*D	3351957	Corrected the template title from Package Outline to Package outline	08/23/11	TSV
1	-	*E	3722534	ADDED "PKG WEIGHT: REFER TO PMDD SPEC."	08/24/12	QAD
1	-	*F	6883111	CHANGE POD SPEC TITLE TO PACKAGE OUTLINE 44 LEAD TSOP(II) 18.4 X 10.2 X 1.194 MM ZW44A	05/18/20	CMG

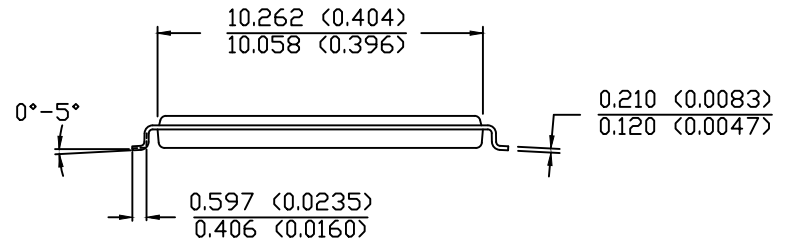
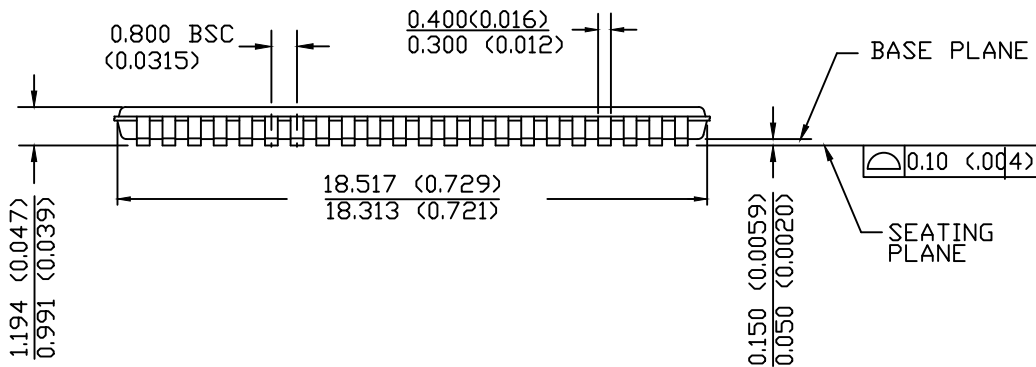


TOP VIEW



BOTTOM VIEW

EJECTOR MARK (OPTIONAL)
CAN BE LOCATED ANYWHERE IN THE BOTTOM PKG



DIMENSION IN MM (INCH) MAX MIN.
PKG WEIGHT: REFER TO PMDD SPEC

UNLESS OTHERWISE SPECIFIED ALL DIMENSIONS ARE IN MILLIMETERS STANDARD TOLERANCES ON: DECIMALS .XX ± 0.05 .XXX ± .XXXX + ANGLES ± 1°	DESIGNED BY HTN / BSC	DATE 06/11/97	
	DRAWN BY KOTA	DATE 05/18/20	
	CHECKED BY CMG	DATE 05/18/20	
	APPROVED BY CMG	DATE 05/18/20	
MATERIAL DEFAULT TEXT	APPROVED BY LKSU	DATE 05/18/20	TITLE PACKAGE OUTLINE 44 LEAD TSOP(II) 18.4 X 10.2 X 1.194 MM ZW44A
FINISH DEFAULT TEXT	APPROVED BY BSC	DATE 05/18/20	SIZE A PART NO. Z44-II DWG NO 51-85087 REV *F

THIS DRAWING CONTAINS INFORMATION WHICH IS THE PROPRIETARY PROPERTY OF CYPRESS SEMICONDUCTOR CORPORATION. THIS DRAWING IS RECEIVED IN CONFIDENCE AND ITS CONTENTS MAY NOT BE DISCLOSED WITHOUT WRITTEN CONSENT OF CYPRESS SEMICONDUCTOR CORPORATION.