



Please note that Cypress is an Infineon Technologies Company.

The document following this cover page is marked as “Cypress” document as this is the company that originally developed the product. Please note that Infineon will continue to offer the product to new and existing customers as part of the Infineon product portfolio.

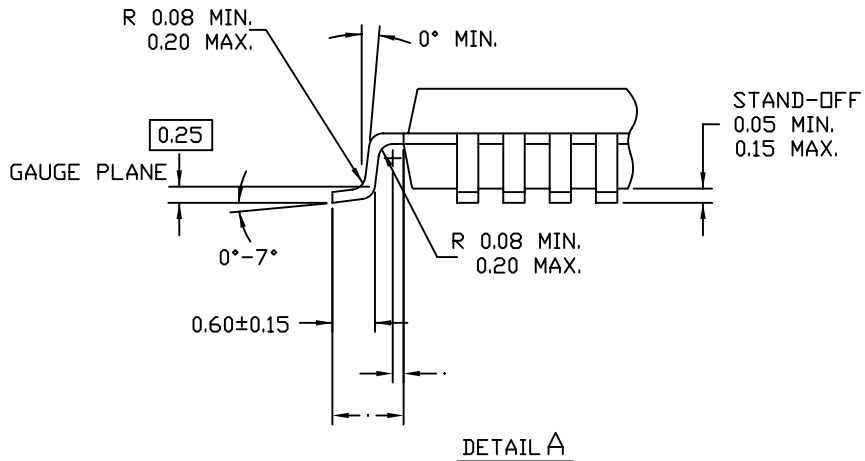
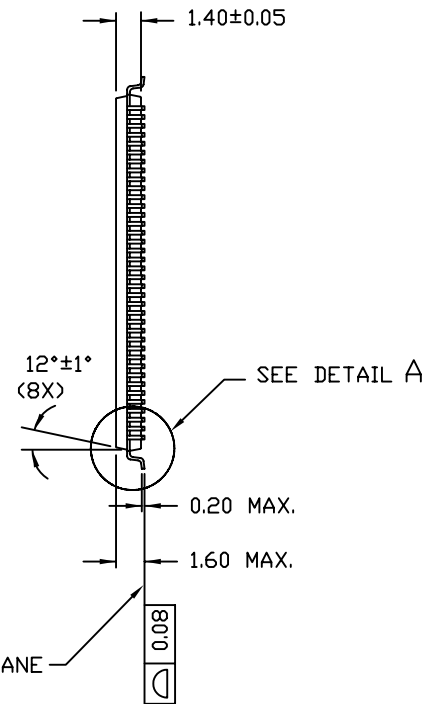
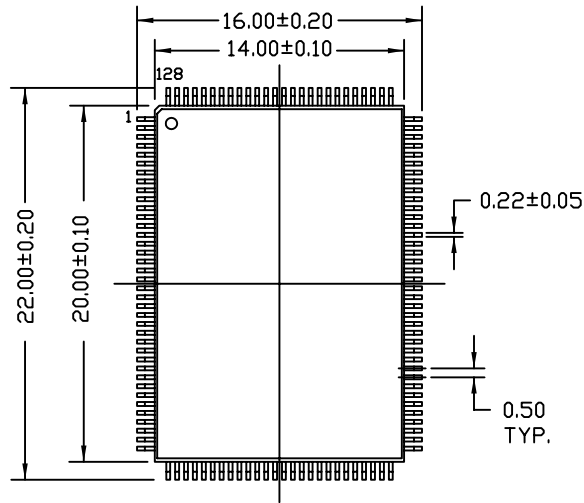
Continuity of document content

The fact that Infineon offers the following product as part of the Infineon product portfolio does not lead to any changes to this document. Future revisions will occur when appropriate, and any changes will be set out on the document history page.

Continuity of ordering part numbers

Infineon continues to support existing part numbers. Please continue to use the ordering part numbers listed in the datasheet for ordering.

128 Lead Thin Plastic Quad Flatpack 14 X 20 X 1.4mm - A128




- NOTE:
1. JEDEC STD REF MS-026
 2. BODY LENGTH DIMENSION DOES NOT INCLUDE MOLD PROTRUSION/END FLASH
MOLD PROTRUSION/END FLASH SHALL NOT EXCEED 0.0098 in (0.25 mm) PER SIDE
BODY LENGTH DIMENSIONS ARE MAX PLASTIC BODY SIZE INCLUDING MOLD MISMATCH
 3. DIMENSIONS IN MILLIMETERS

		CYPRESS Company Confidential	
TITLE PACKAGE OUTLINE, 128LD TQFP 14X20X1.4 MM A128RA			
SPEC NO. 51-85101		REV *F	
SCALED TO FIT	N/A	SHEET 1 OF 2	

THIS DRAWING CONTAINS INFORMATION WHICH IS THE PROPRIETARY PROPERTY OF CYPRESS SEMICONDUCTOR CORPORATION. THIS DRAWING IS RECEIVED IN CONFIDENCE AND ITS CONTENTS MAY NOT BE DISCLOSED WITHOUT WRITTEN CONSENT OF CYPRESS SEMICONDUCTOR CORPORATION.

PACKAGE CODE(S)
A128RA

Rev.	ECN No.	Origin of Change	Description of Change
**	57402		NEW RELEASE
*A	65790		REDRAW PKG. BY SCALE
*B	111405		ADD CHAMFER NOTE
*C	412838		ADD NOTES: -JEDEC REFERENCE MS-026 & -MOLD PROTRUSION/END FLASH INFORMATION
*D	2826118		Changed template & Title from 128LD TQFP (14 X 20 X 1.4) PKG OUTLINE to PACKAGE OUTLINE, 128LD TQFP 14X20X1.4 MM A128RA.
*E	3146096		ECN SUNSET NO CHANGE
*F	4257179	KTQAD/ XANC	SUNSET REVIEW. CHANGED DRAWING TEMPLATE.

 CYPRESS Company Confidential	
TITLE PACKAGE OUTLINE, 128LD TQFP 14X20X1.4 MM A128RA	
SPEC NO. 51-85101	REV *F
SCALED TO FIT	N/A
SHEET 2 OF 2	

THIS DRAWING CONTAINS INFORMATION WHICH IS THE PROPRIETARY PROPERTY OF CYPRESS SEMICONDUCTOR CORPORATION. THIS DRAWING IS RECEIVED IN CONFIDENCE AND ITS CONTENTS MAY NOT BE DISCLOSED WITHOUT WRITTEN CONSENT OF CYPRESS SEMICONDUCTOR CORPORATION.

PACKAGE
CODE(S)

A128RA

1

2

3

4

5

6