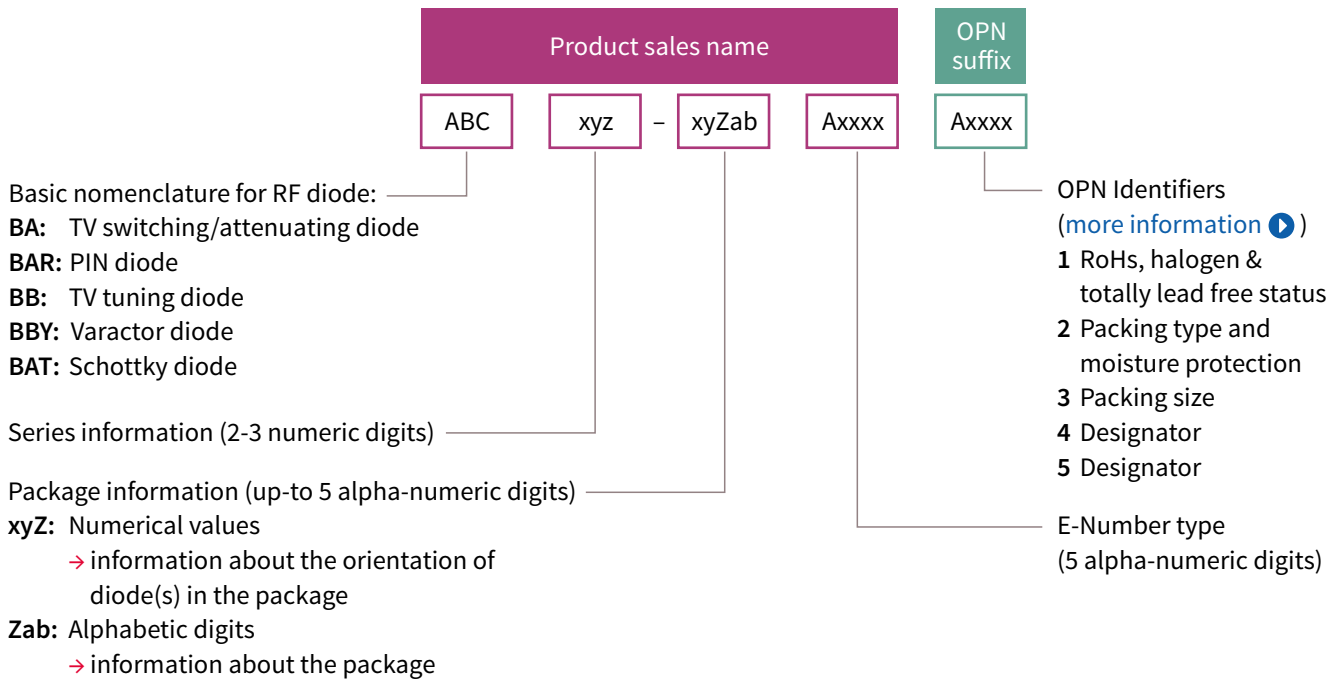


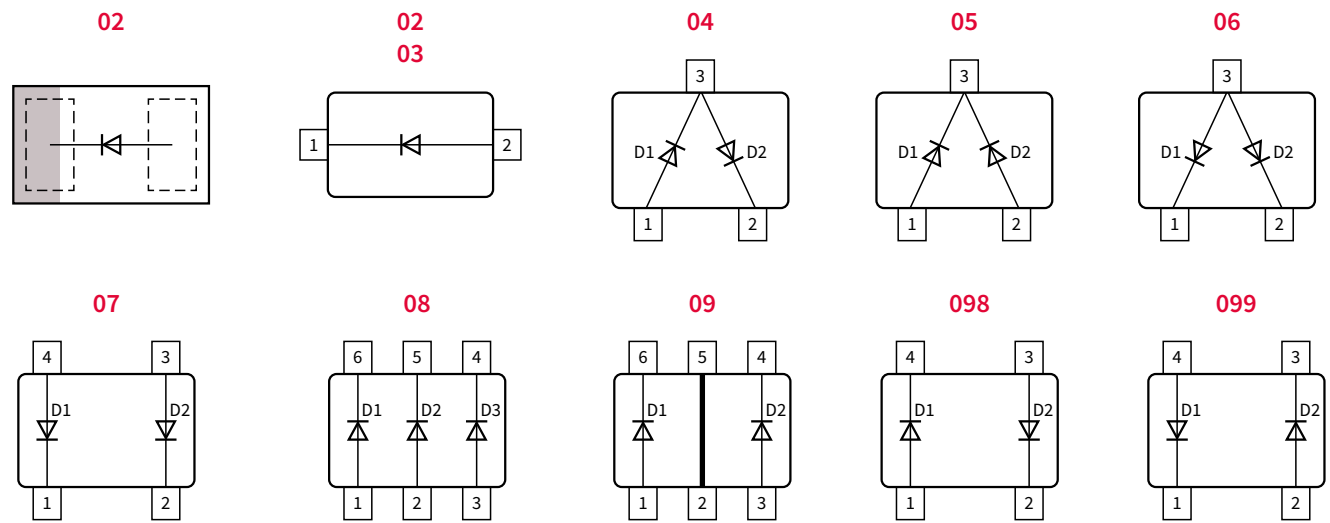
OPN (Orderable Part Number) structure

RF diodes



xyZab → Package information (up-to 5 Alpha-numeric digits):

xyZ: Numerical values
→ information about the orientation of diode(s) in the package



Zab: Alphabetic digits
→ information about the package

Package code	Package name	Package code	Package name
02EL	PG-TSLP-2-19	02V	PG-SC79-2-1
02LRH	PG-TSLP-2-7	03W	PG-SOD323-2-1
02L	PG-TSSLP-2-1	04 / 05 / 06	PG-SOT23-3-x
02ELS	PG-TSSLP-2-3	04W / 05W / 06W	PG-SOT323-3-1
		07 / 099 / 099R	PG-SOT143-4-x

Information about reel size and packaging materials (standard usage)

E-number	Additional product info
E6327	Standard reel size
E6433	Larger reel size
E6762	Unsaun wafer (non-packaged device)
E6814	Reel size 1×3 k
H6127	Reel size 1×8 k (2 mm pitch on tape); Halogen free; Copper wiring
H6327	Standard reel size; Halogen free
H6433	Larger reel; Halogen free
H6814	Reel size 1×3 k; Halogen free ; Copper wiring
H7908	Material comes from whole wafer; Reel size 1×3 k; Halogen free; Copper wiring