

# LITIX™ Linear TLE4242G Demoboard TLE4242G Manual

January 2019  
V1.0



# Agenda

1

Board description

2

Quick start

3

Schematic and layout

# Agenda

1

Board description

2

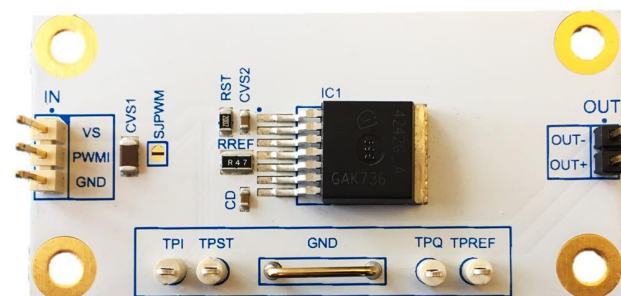
Quick start

3

Schematic and layout

# Board description

- › Equipped with one LITIX™ Linear TLE4242G device
- › Output current set  $\sim 370$  mA
- › Supported supply voltage range: 8V – 16V
- › Possibility to control with external PWM signal
- › Connector for external load
- › 6cm x 3cm 2-layer FR4 PCB with 35 $\mu$ m copper



# Agenda

1

Board description

2

Quick start

3

Schematic and layout

# Quick start

- › Connect power supply to VS/PWMI and GND (voltage between 8V – 16V)
  - Alternatively close SJPWM to connect only VS to supply
  
- › Connect external LED load (e.g.  $V_f \sim 7V$ ) to OUT+ and OUT- with  $I_{LED} > 370 \text{ mA}$
  
- › Enable power supply

# Agenda

1

Board description

2

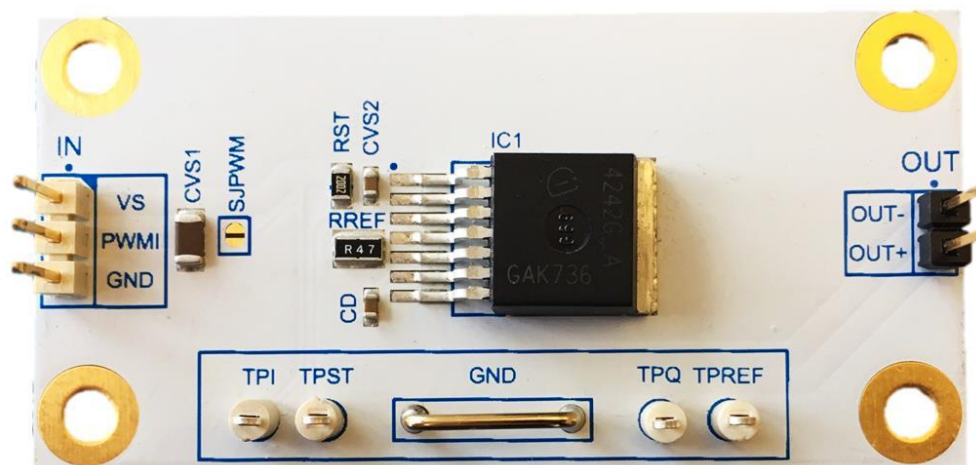
Quick start

3

Schematic and layout

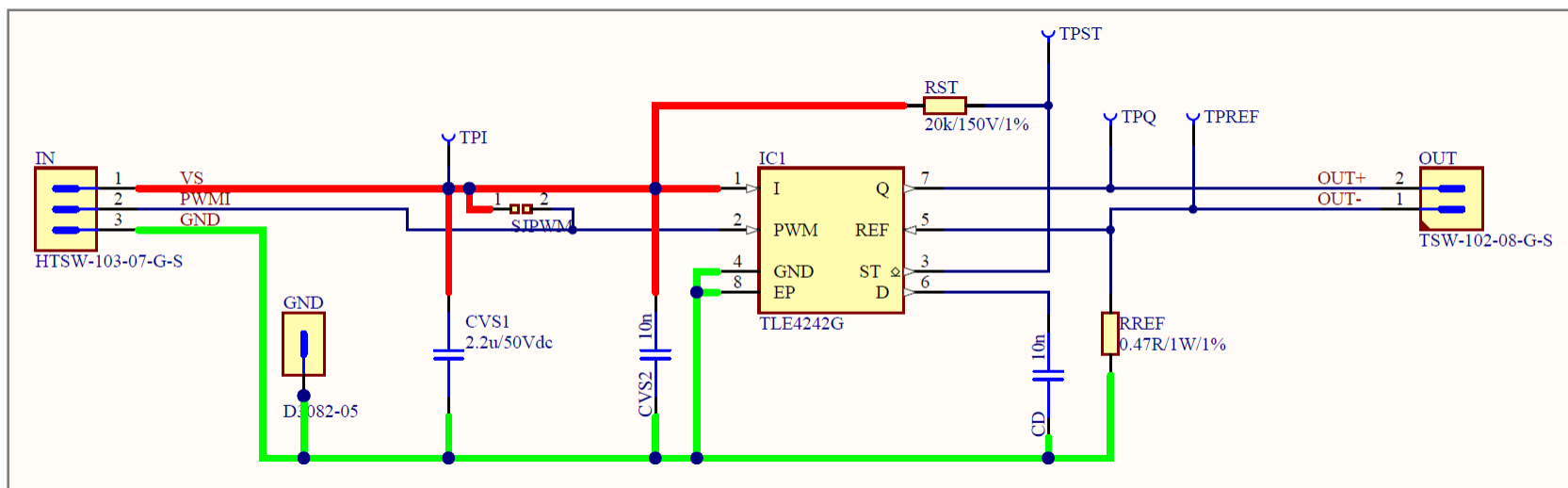
# Schematic and layout

- › The schematic and layout designs are shown in the following pages



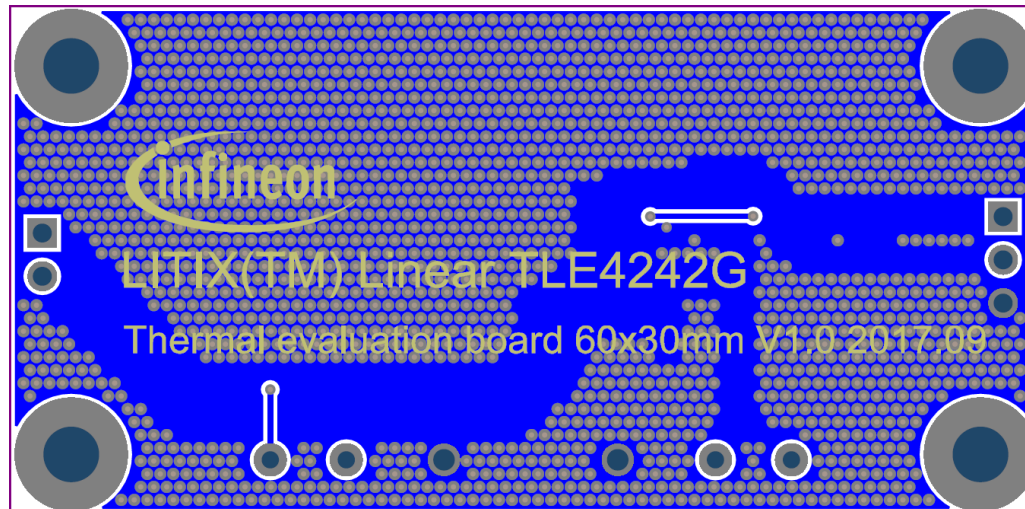
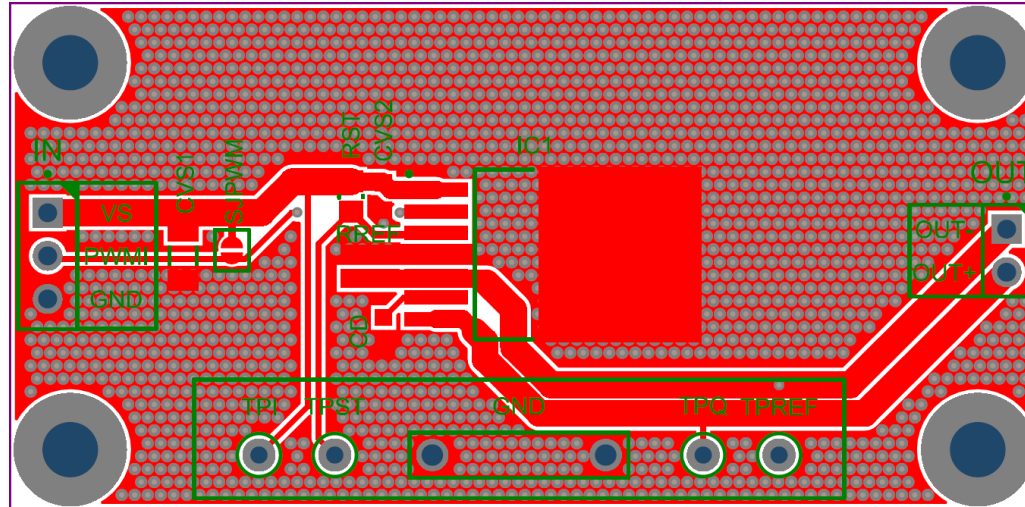


# Schematic



# PCB Layout

## Top and bottom layer





Part of your life. Part of tomorrow.

