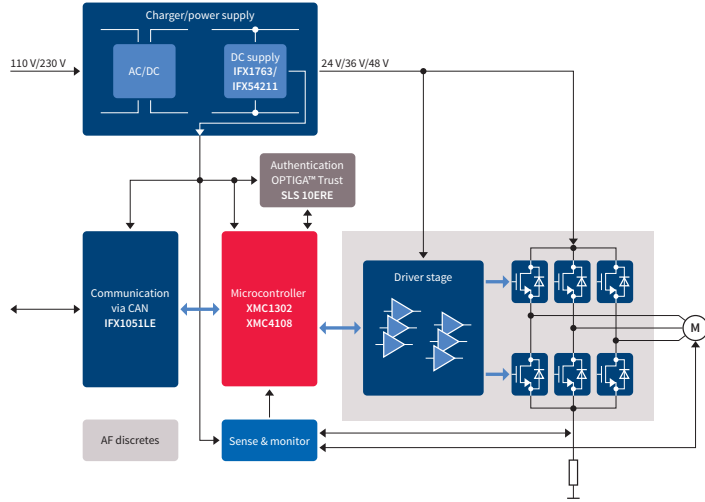
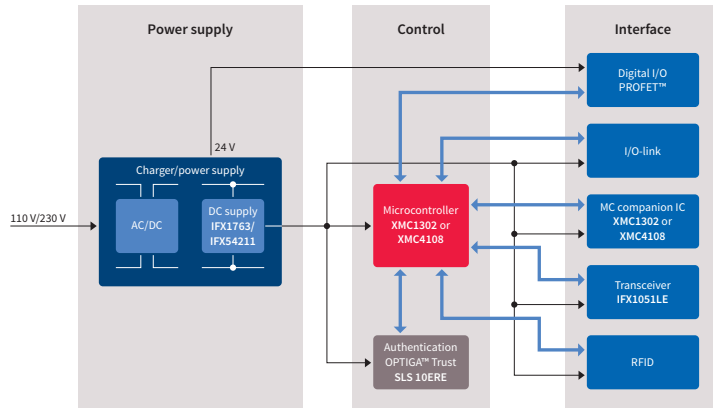


Industrial control products

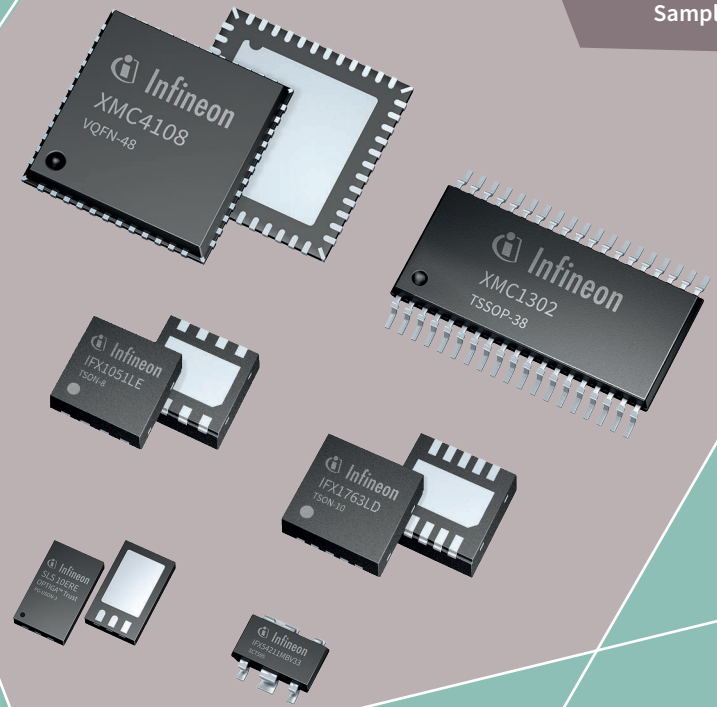
Example application for servo motor



Example application for industrial and building control via PLC



Sample Kit – microcontroller, power supply, communication and authentication ICs



Industrial control products

Microcontroller, power supply, communication and authentication ICs



www.infineon.com/industrial-standard

www.infineon.com/smart-card-ic

www.infineon.com/XMC-development-tools



Samples included

XMC1302 T038X0032

Member of the XMC1000 32-bit ARM® powered MCU portfolio

- › Optimized for motor control and digital power conversion applications using ARM® Cortex®-M0
- › 64 MHz MATH Co-processor (DIV, COS, SIN, ARCTAN) programmable hardware interconnect matrix, Position Interface (POSIF)
- › Up to 64-bit timer/PWM (CCU8) with shadow transfer/asymmetric PWM/dead-time/fractional clock divider
- › External event trigger for very cost efficient sensor less FOC motors



XMC4108 Q48K64

Member of the XMC4000 32-bit ARM® powered MCU portfolio

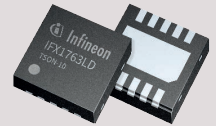
- › Powered by ARM® Cortex®-M4 with DSP, FPU, DMA, MPU and programmable hardware interconnect matrix
- › Core and peripherals running @ 80 MHz clock speed at 125 °C ambient temperature
- › CAN 2.0B with FIFO or e.g. Quad-SPI
- › 2x 12-bit ADCs, 2x 12-bit DAC, 3x CCU4/8 timer/PWM, 64 kB flash with ECC, 20 kB RAM



IFX1763LD V

Wide input range low noise 500 mA LDO

- › Low noise down to 24 μ V RMS (BW = 10 Hz to 100 kHz)
- › Low quiescent current: 30 μ A
- › Wide input voltage range: 1.8 V to 20 V
- › Low dropout voltage: 320 mV
- › Adjustable version with output from 1.22 V to 20 V



IFX54211MBV33

High PSRR low dropout 150 mA LDO

- › Output voltage 3.3 V at accuracy of \pm 3%
- › Extended input voltage operating range of 2.7 V to 18 V
- › Low dropout voltage: typ. 290 mV
- › Very low quiescent current: typ. 50 μ A
- › Very high PSRR: typ. 63 dB at 10 kHz



IFX1051LE

High-speed CAN transceiver – flexible data rate compatible

- › CAN data transmission rates from 1 kbit/s up to 2 Mbit/s
- › Receive - only mode
- › Compatible w. 3.3 V μ C interface
- › Optimized Electromagnetic Compatibility (EMC) and for high immunity against EMI
- › Compliant to ISO 11898



SLS 10ERE

OPTIGA™ Trust security product for authentication and brand protection

- › Strong asymmetric cryptography with unique key pair per chip
- › Turn-key solution including host side software for easy integration
- › 3.5 kbit user NVM
- › Session key feature
- › Size optimized USON-3 package (2 x 3 mm)

