

IRHLF7S7214 (2N7610T2)

PD-97833D

Radiation Hardened Logic Level Power MOSFET Thru-Hole TO-205AF (TO-39) 250V, 3.3A, N-channel, R7 Technology

Features

- 5V CMOS and TTL compatible
- Fast switching
- Single event effect (SEE) hardened
- Low total gate charge
- Simple drive requirements
- Light weight
- Hermetically sealed
- ESD rating: Class 1B per MIL-STD-750, Method 1020

Potential Applications

- DC-DC converter
- Motor drives

Product Validation

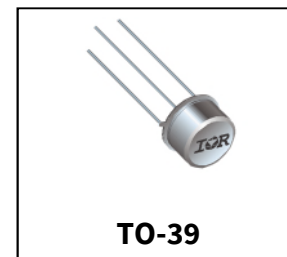
Qualified according to MIL-PRF-19500 for space applications

Description

IR HiRel R7 S-Line Logic Level Power MOSFETs provide simple solution to interfacing CMOS and TTL control circuits to power devices in space and other radiation environments. The threshold voltage remains within acceptable operating limits over the full operating temperature and post radiation. This is achieved while maintaining single event gate rupture and single event burnout immunity. The device is ideal when used to interface directly with most logic gates, linear IC's, micro-controllers, and other device types that operate from a 3.3-5V source. It may also be used to increase the output current of a PWM, voltage comparator or an operational amplifier where the logic level drive signal is available.

Product Summary

- BV_{DSS} : 250V
- I_D : 3.3A
- $R_{DS(on),max}$: 1.0Ω
- $Q_{G,max}$: 18nC



Ordering Information

Table 1 **Ordering options**

Part number	Package	Screening Level	TID Level
IRHLF7S7214	TO-39	COTS	100 krad(Si)
IRHLF7S7214SCS	TO-39	S-Level	100 krad(Si)
IRHLF7S3214	TO-39	COTS	300 krad(Si)
IRHLF7S3214SCS	TO-39	S-Level	300 krad(Si)

Table of contents

Table of contents

Features	1
Potential Applications.....	1
Product Validation.....	1
Description	1
Ordering Information.....	1
Table of contents.....	2
1 Absolute Maximum Ratings	3
2 Device Characteristics	4
2.1 Electrical Characteristics (Pre-Irradiation).....	4
2.2 Source-Drain Diode Ratings and Characteristics (Pre-Irradiation)	5
2.3 Thermal Characteristics	5
2.4 Radiation Characteristics.....	5
2.4.1 Electrical Characteristics — Post Total Dose Irradiation	5
2.4.2 Single Event Effects — Safe Operating Area.....	6
3 Electrical Characteristics Curves (Pre-irradiation)	7
4 Test Circuits (Pre-irradiation)	11
5 Package Outline.....	12
Revision history.....	13

Absolute Maximum Ratings

1 Absolute Maximum Ratings

Table 2 Absolute Maximum Ratings (Pre-Irradiation)

Symbol	Parameter	Value	Unit
$I_{D1} @ V_{GS} = 4.5V, T_C = 25^\circ C$	Continuous Drain Current	3.3	A
$I_{D2} @ V_{GS} = 4.5V, T_C = 100^\circ C$	Continuous Drain Current	2.1	A
$I_{DM} @ T_C = 25^\circ C$	Pulsed Drain Current ¹	13.2	A
$P_D @ T_C = 25^\circ C$	Maximum Power Dissipation	22.7	W
	Linear Derating Factor	0.18	W/°C
V_{GS}	Gate-to-Source Voltage	± 10	V
E_{AS}	Single Pulse Avalanche Energy ²	29	mJ
I_{AR}	Avalanche Current ¹	3.3	A
E_{AR}	Repetitive Avalanche Energy ¹	2.3	mJ
dv/dt	Peak Diode Reverse Recovery ³	3.29	V/ns
T_J T_{STG}	Operating Junction and Storage Temperature Range	-55 to +150	°C
	Lead Temperature	300 (0.063 in. /1.6 mm from case for 10s)	
	Weight	0.98 (Typical)	g

¹ Repetitive Rating; Pulse width limited by maximum junction temperature.

² $V_{DD} = 50V$, starting $T_J = 25^\circ C$, $L = 5.4mH$, Peak $I_L = 3.3A$, $V_{GS} = 10V$

³ $I_{SD} \leq 3.3A$, $di/dt \leq 372A/\mu s$, $V_{DD} \leq 250V$, $T_J \leq 150^\circ C$

Device Characteristics

2 Device Characteristics

2.1 Electrical Characteristics (Pre-Irradiation)

Table 3 Static and Dynamic Electrical Characteristics @ $T_j = 25^\circ\text{C}$ (Unless Otherwise Specified)

Symbol	Parameter	Min.	Typ.	Max.	Unit	Test Conditions
BV_{DSS}	Drain-to-Source Breakdown Voltage	250	—	—	V	$V_{GS} = 0V, I_D = 250\mu A$
$\Delta BV_{DSS}/\Delta T_J$	Breakdown Voltage Temp. Coefficient	—	0.22	—	V/ $^\circ\text{C}$	Reference to $25^\circ\text{C}, I_D = 1.0\text{mA}$
$R_{DS(on)}$	Static Drain-to-Source On-State Resistance	—	—	1.0	Ω	$V_{GS} = 4.5V, I_{D2} = 2.1A^1$
$V_{GS(th)}$	Gate Threshold Voltage	1.0	—	2.0	V	$V_{DS} = V_{GS}, I_D = 250\mu A$
$\Delta V_{GS(th)}/\Delta T_J$	Gate Threshold Voltage Coefficient	—	-5.2	—		
G_{fs}	Forward Transconductance	2.5	—	—	S	$V_{DS} = 15V, I_{D2} = 2.1A^1$
I_{DSS}	Zero Gate Voltage Drain Current	—	—	1.0	μA	$V_{DS} = 200V, V_{GS} = 0V$
		—	—	15		$V_{DS} = 200V, V_{GS} = 0V, T_J = 125^\circ\text{C}$
I_{GSS}	Gate-to-Source Leakage Forward	—	—	100	nA	$V_{GS} = 10V$
	Gate-to-Source Leakage Reverse	—	—	-100		$V_{GS} = -10V$
Q_G	Total Gate Charge	—	—	18	nC	$I_{D1} = 3.3A$
Q_{GS}	Gate-to-Source Charge	—	—	5.0		$V_{DS} = 125V$
Q_{GD}	Gate-to-Drain ('Miller') Charge	—	—	12		$V_{GS} = 4.5V$
$t_{d(on)}$	Turn-On Delay Time	—	—	27	ns	$I_{D1} = 3.3A^{**}$ $V_{DD} = 125V$ $R_G = 7.5\Omega$ $V_{GS} = 5.0V$
t_r	Rise Time	—	—	57		
$t_{d(off)}$	Turn-Off Delay Time	—	—	45		
t_f	Fall Time	—	—	55		
$L_s + L_D$	Total Inductance	—	7.0	—	nH	Measured from Drain lead (6mm / 0.25 in from package) to Source lead (6mm/ 0.25 in from package) with Source wire internally bonded from Source pin to Drain pin
C_{iss}	Input Capacitance	—	611	—	pF	$V_{GS} = 0V$
C_{oss}	Output Capacitance	—	62	—		$V_{DS} = 25V$
C_{rss}	Reverse Transfer Capacitance	—	0.64	—		$f = 1.0\text{MHz}$
R_G	Gate Resistance	—	8.0	—	Ω	$f = 1.0\text{MHz}, \text{open drain}$

** Switching speed maximum limits are based on manufacturing test equipment and capability.

¹ Pulse width $\leq 300 \mu s$; Duty Cycle $\leq 2\%$

Device Characteristics

2.2 Source-Drain Diode Ratings and Characteristics (Pre-Irradiation)

Table 4 Source-Drain Diode Characteristics

Symbol	Parameter	Min.	Typ.	Max.	Unit	Test Conditions
I_S	Continuous Source Current (Body Diode)	—	—	3.3	A	
I_{SM}	Pulsed Source Current (Body Diode) ¹	—	—	13.2	A	
V_{SD}	Diode Forward Voltage	—	—	1.2	V	$T_J = 25^\circ\text{C}$, $I_S = 3.3\text{A}$, $V_{GS} = 0\text{V}$ ²
t_{rr}	Reverse Recovery Time	—	—	371	ns	$T_J = 25^\circ\text{C}$, $I_F = 3.3\text{A}$, $V_{DD} \leq 25\text{V}$
Q_{rr}	Reverse Recovery Charge	—	—	1.05	μC	$di/dt = 100\text{A}/\mu\text{s}$
t_{on}	Forward Turn-On Time	Intrinsic turn-on time is negligible (turn-on is dominated by $L_S + L_D$)				

2.3 Thermal Characteristics

Table 5 Thermal Resistance

Symbol	Parameter	Min.	Typ.	Max.	Unit
$R_{\theta JC}$	Junction-to-Case	—	—	5.5	$^\circ\text{C}/\text{W}$

2.4 Radiation Characteristics

IR HiRel radiation hardened MOSFETs are tested to verify their radiation hardness capability. The hardness assurance program at IR HiRel is comprised of two radiation environments. Every manufacturing lot is tested for total ionizing dose (per notes 3 and 4) using the TO-3 package. Both pre- and post-irradiation performance are tested and specified using the same drive circuitry and test conditions in order to provide a direct comparison.

2.4.1 Electrical Characteristics — Post Total Dose Irradiation

Table 6 Electrical Characteristics @ $T_J = 25^\circ\text{C}$, Post Total Dose Irradiation^{3, 4}

Symbol	Parameter	Up to 300 krad (Si) ⁵		Unit	Test Conditions
		Min.	Max.		
BV_{DSS}	Drain-to-Source Breakdown Voltage	250	—	V	$V_{GS} = 0\text{V}$, $I_D = 250\mu\text{A}$
$V_{GS(th)}$	Gate Threshold Voltage	1.0	2.0	V	$V_{DS} = V_{GS}$, $I_D = 250\mu\text{A}$
I_{GSS}	Gate-to-Source Leakage Forward	—	100	nA	$V_{GS} = 10\text{V}$
	Gate-to-Source Leakage Reverse	—	-100		$V_{GS} = -10\text{V}$
I_{DSS}	Zero Gate Voltage Drain Current	—	1.0	μA	$V_{DS} = 200\text{V}$, $V_{GS} = 0\text{V}$
$R_{DS(on)}$	Static Drain-to-Source On-State Resistance (TO-3) ²	—	0.88	Ω	$V_{GS} = 4.5\text{V}$, $I_{D2} = 2.1\text{A}$
$R_{DS(on)}$	Static Drain-to-Source On-State Resistance (TO-39) ²	—	1.0	Ω	$V_{GS} = 4.5\text{V}$, $I_{D2} = 2.1\text{A}$
V_{SD}	Diode Forward Voltage	—	1.2	V	$V_{GS} = 0\text{V}$, $I_F = 3.3\text{A}$

¹ Repetitive Rating; Pulse width limited by maximum junction temperature.

² Pulse width $\leq 300\mu\text{s}$; Duty Cycle $\leq 2\%$

³ Total Dose Irradiation with V_{GS} Bias. $V_{GS} = 10\text{V}$ applied and $V_{DS} = 0$ during irradiation per MIL-STD-750, Method 1019, condition A.

⁴ Total Dose Irradiation with V_{DS} Bias. $V_{DS} = 200\text{V}$ applied and $V_{GS} = 0$ during irradiation per MIL-STD-750, Method 1019, condition A.

⁵ Part numbers IRHLF7S7214 and IRHLF7S3214

IRHLF7S7214 (2N7610T2)

Radiation Hardened Logic Level Power MOSFET Thru-Hole (TO-39)

Device Characteristics

2.4.2 Single Event Effects — Safe Operating Area

IR HiRel radiation hardened MOSFETs have been characterized in heavy ion environment for Single Event Effects (SEE). Single Event Effects characterization is illustrated in Fig. 1 and Table 7.

Table 7 Typical Single Event Effects Safe Operating Area

ION	LET (MeV·cm ² /mg)	Energy (MeV)	Range (μm)	V _{DS} (V)			
				V _{GS} = 0V	V _{GS} = -1V	V _{GS} = -5V	V _{GS} = -7V
Kr	35 ± 5%	580 ± 5%	70 ± 5%	250	250	250	250
Xe	60 ± 7.5%	1050 ± 5%	79 ± 5%	250	250	—	—

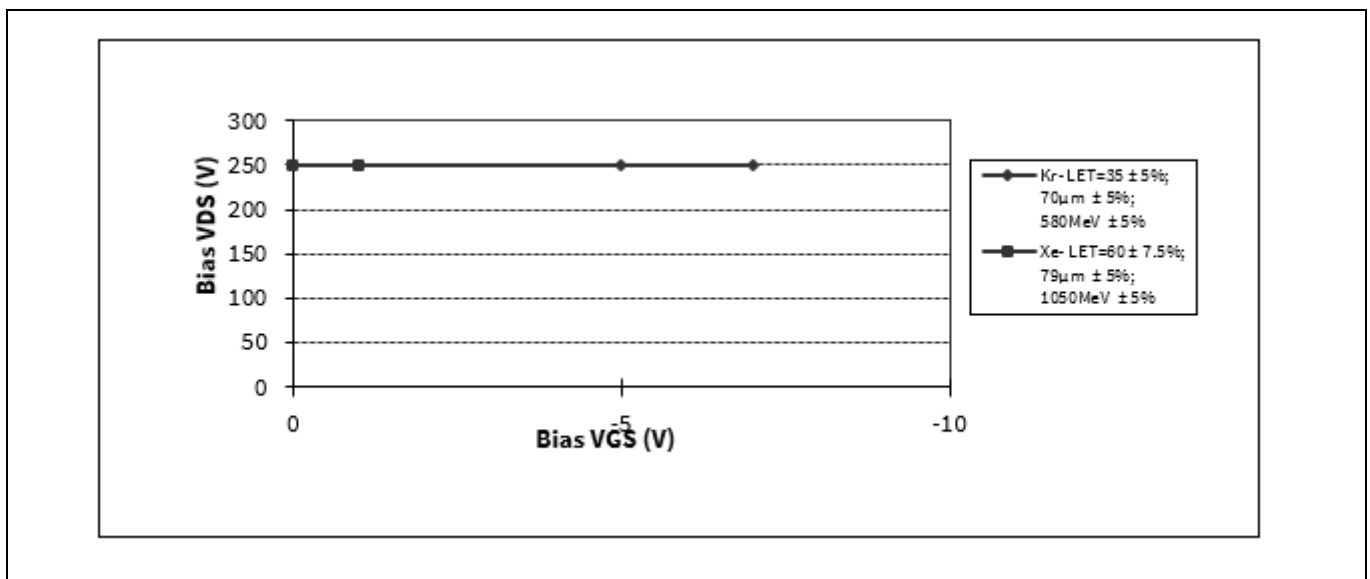


Figure 1 Typical Single Event Effect, Safe Operating Area

Electrical Characteristics Curves (Pre-irradiation)

3 Electrical Characteristics Curves (Pre-irradiation)

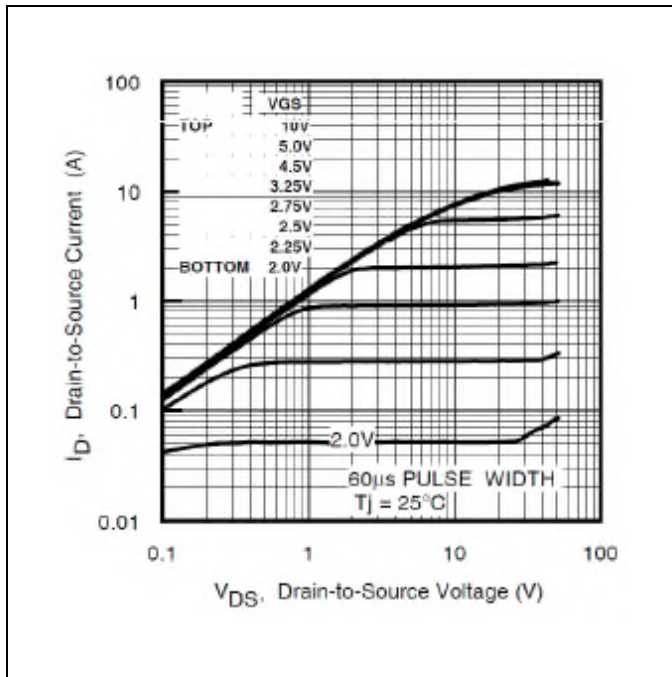


Figure 2 Typical Output Characteristics

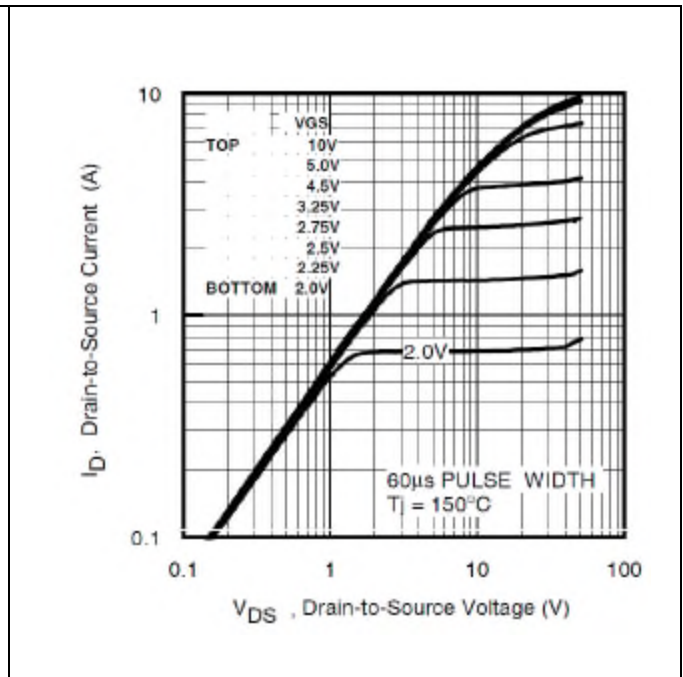


Figure 3 Typical Output Characteristics

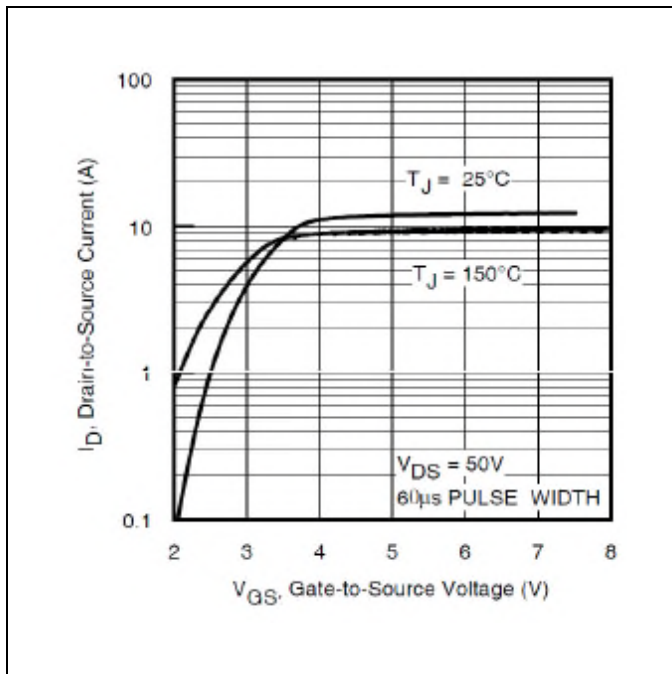


Figure 4 Typical Transfer Characteristics

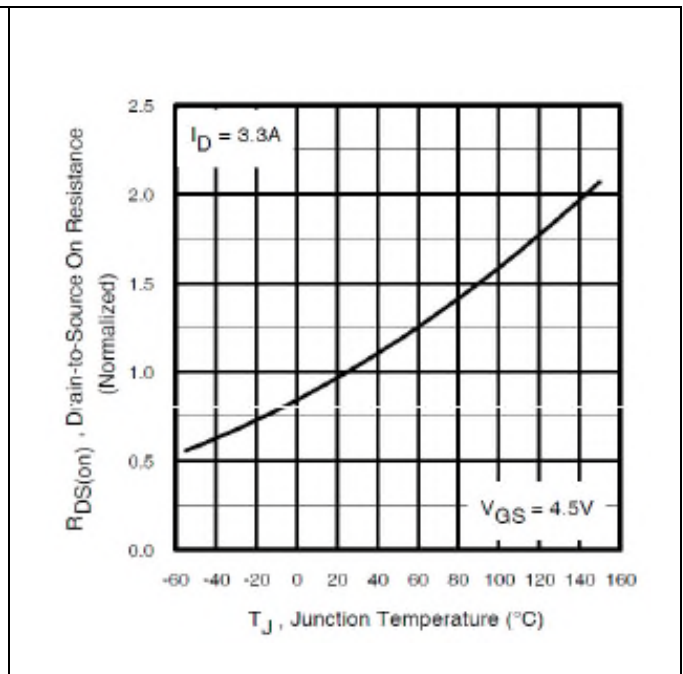


Figure 5 Normalized On-Resistance Vs. Temperature

IRHLF7S7214 (2N7610T2)

Radiation Hardened Logic Level Power MOSFET Thru-Hole (TO-39)

Electrical Characteristics Curves (Pre-irradiation)

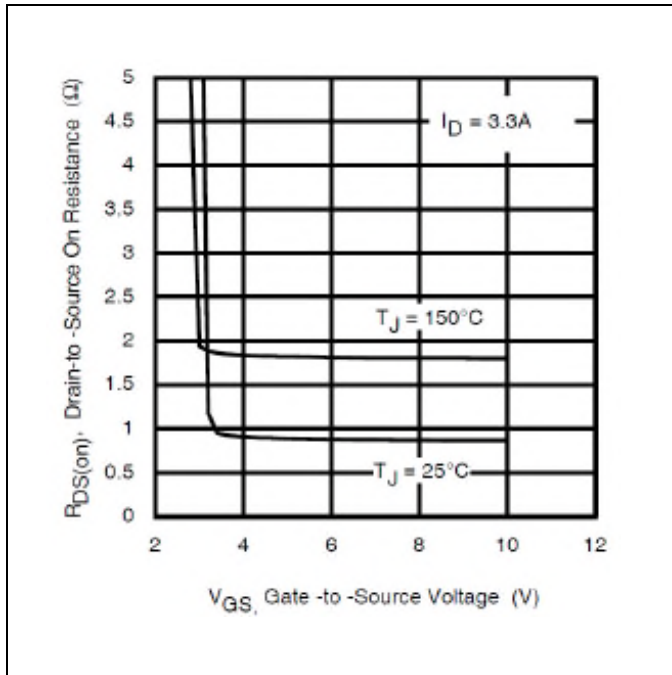


Figure 6 Typical On-Resistance Vs Gate Voltage

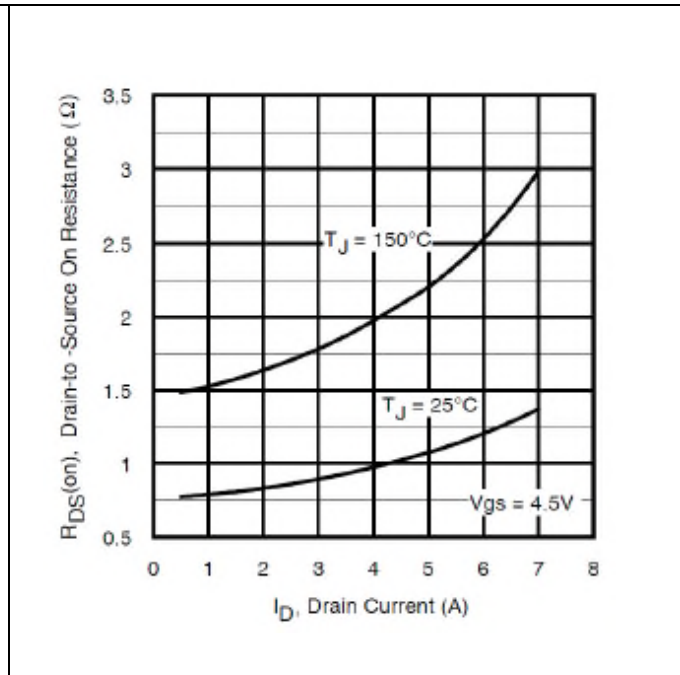


Figure 7 Typical On-Resistance Vs Drain Current

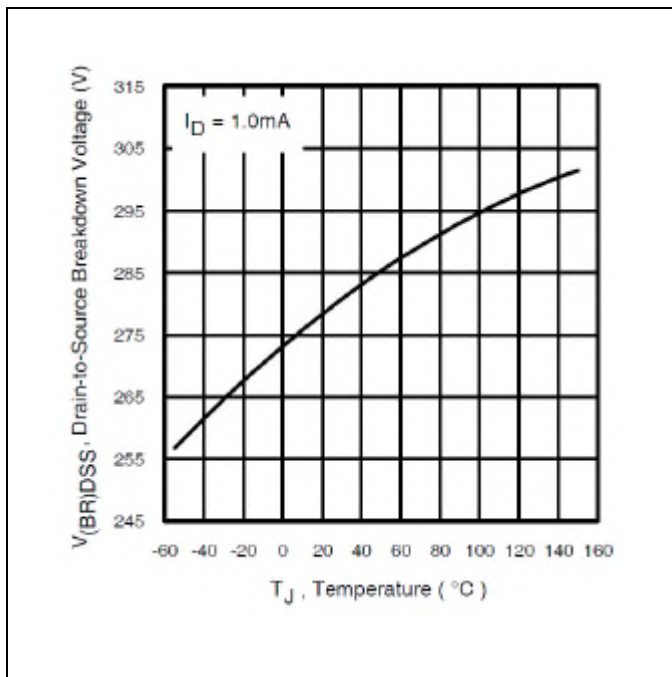


Figure 8 Typical Drain-to Source Breakdown Voltage Vs. Temperature

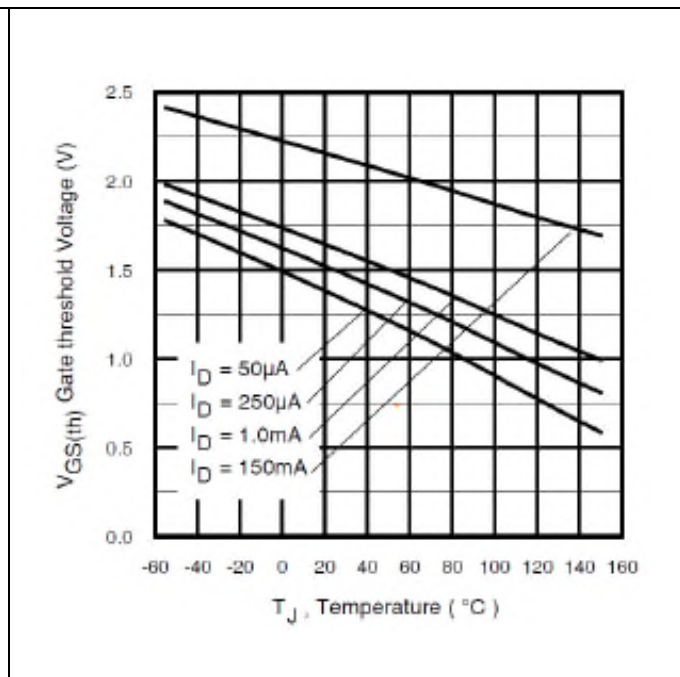


Figure 9 Typical Threshold Voltage Vs Temperature

IRHLF7S7214 (2N7610T2)

Radiation Hardened Logic Level Power MOSFET Thru-Hole (TO-39)

Electrical Characteristics Curves (Pre-irradiation)

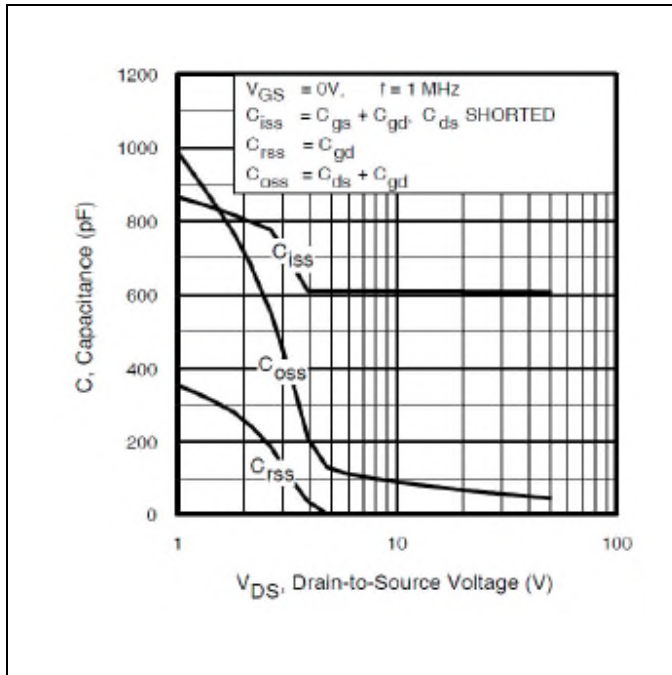


Figure 10 Typical Capacitance Vs. Drain-to-Source Voltage

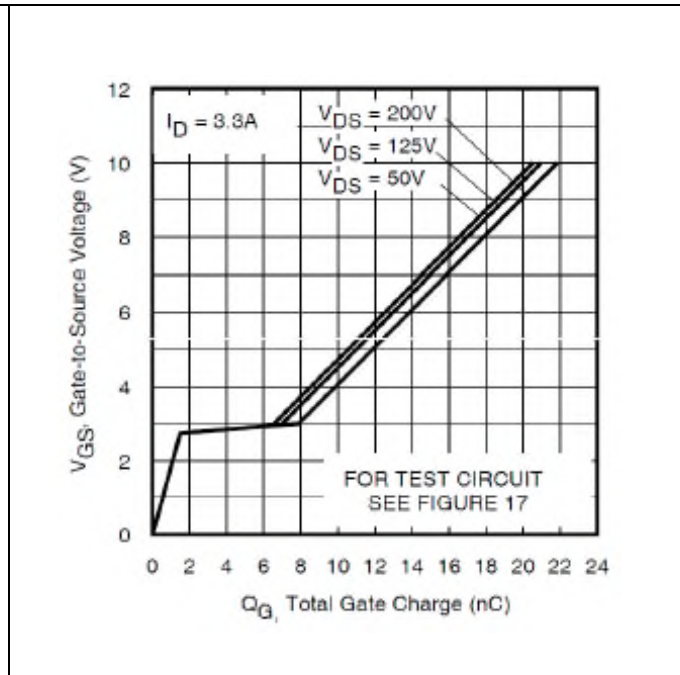


Figure 11 Typical Gate Charge Vs. Gate-to-Source Voltage

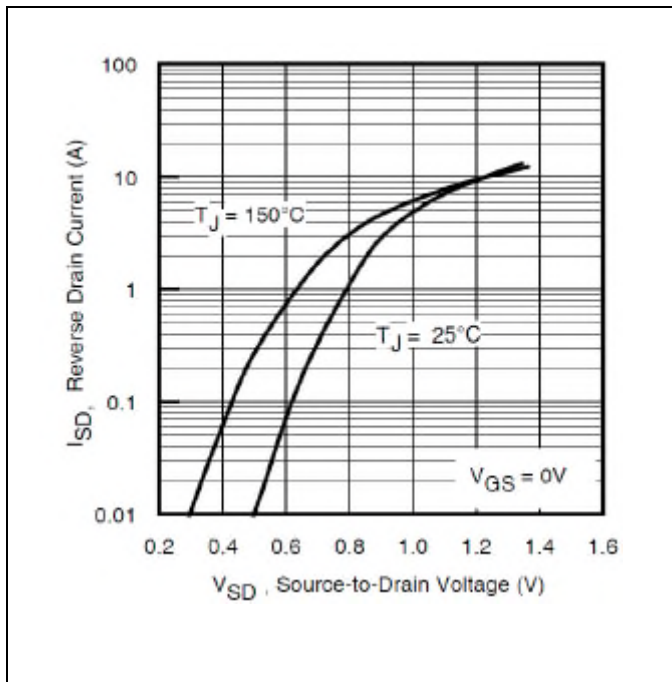


Figure 12 Typical Source-Drain Diode Forward Voltage

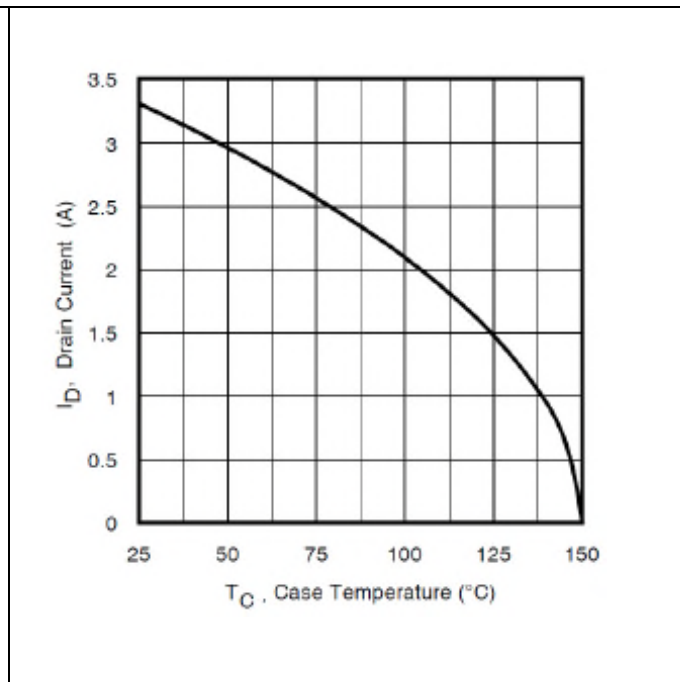


Figure 13 Maximum Drain Current Vs. Case Temperature

IRHLF7S7214 (2N7610T2)

Radiation Hardened Logic Level Power MOSFET Thru-Hole (TO-39)

Electrical Characteristics Curves (Pre-irradiation)

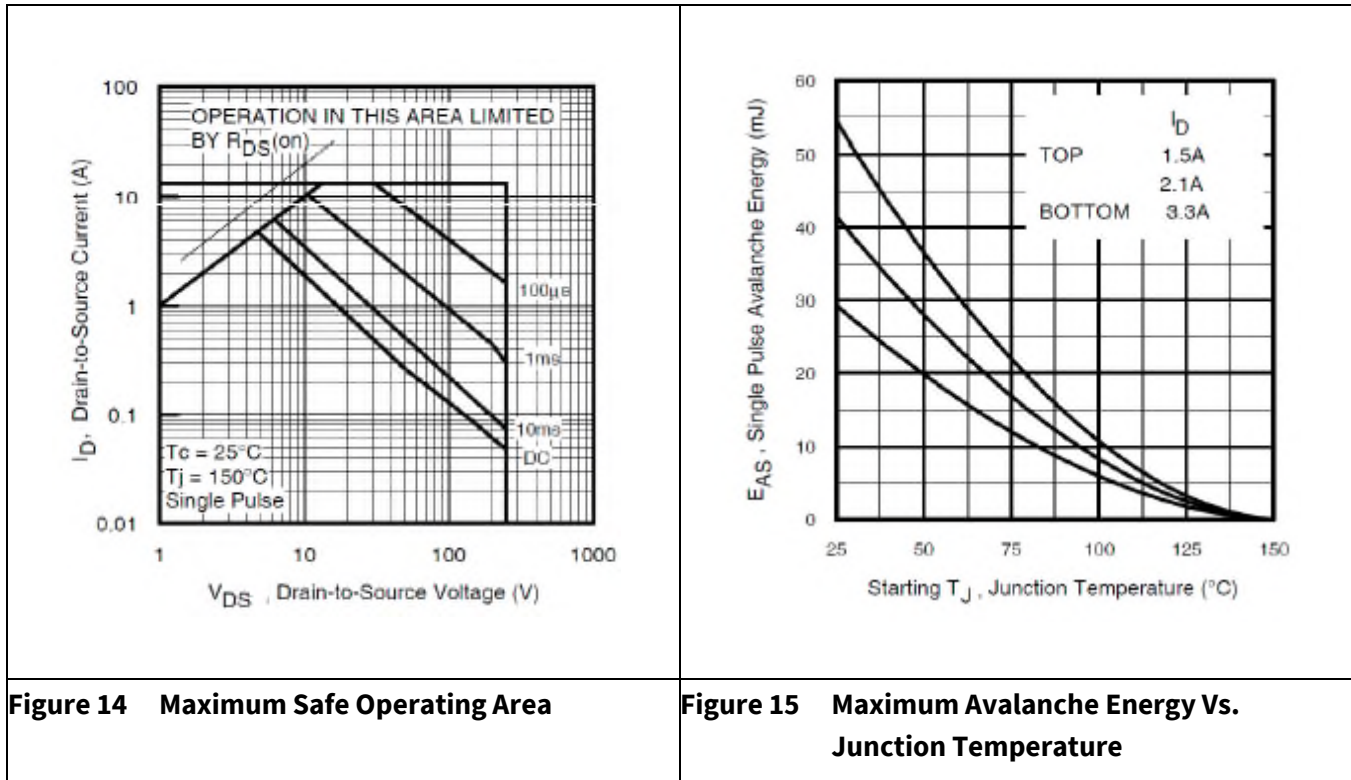


Figure 14 Maximum Safe Operating Area

Figure 15 Maximum Avalanche Energy Vs. Junction Temperature

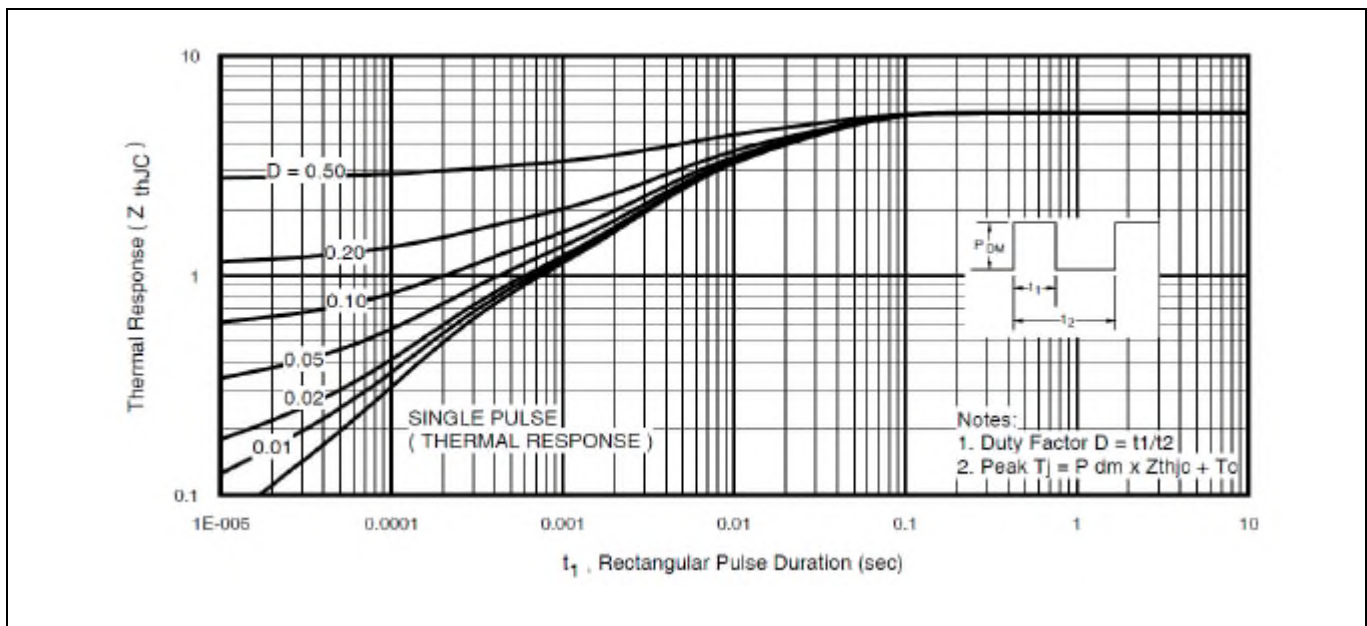


Figure 16 Maximum Effective Transient Thermal Impedance, Junction-to-Case

IRHLF7S7214 (2N7610T2)

Radiation Hardened Logic Level Power MOSFET Thru-Hole (TO-39)

Test Circuits (Pre-irradiation)

4 Test Circuits (Pre-irradiation)

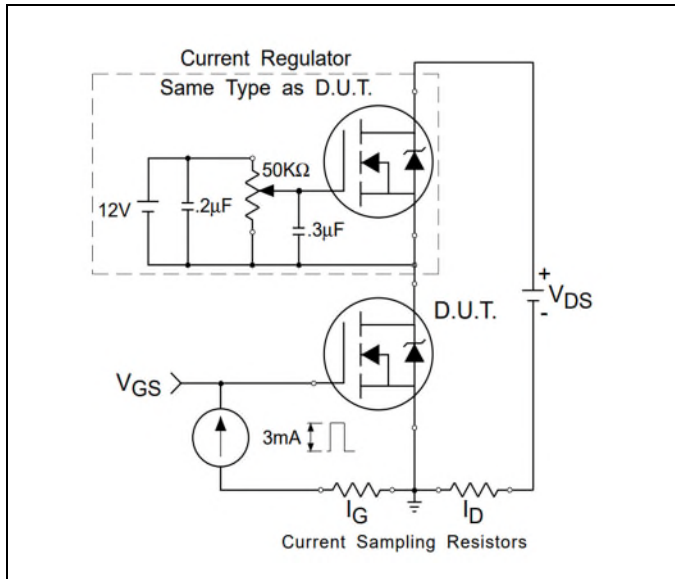


Figure 17 Gate Charge Test Circuit

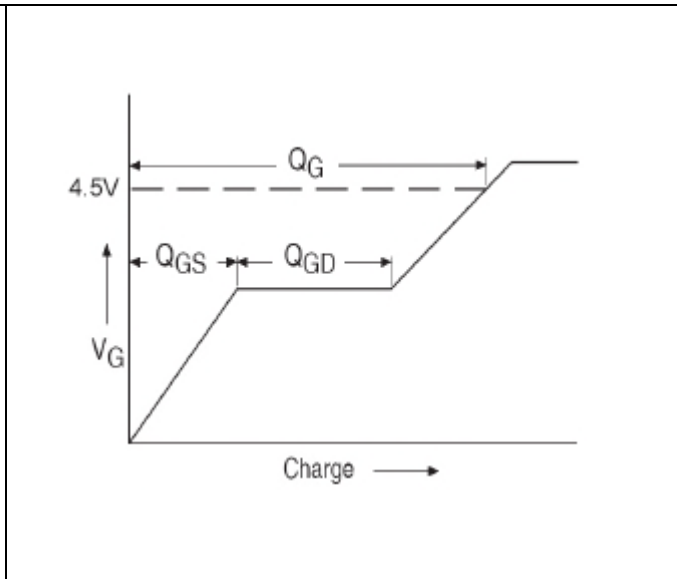


Figure 18 Gate Charge Waveform

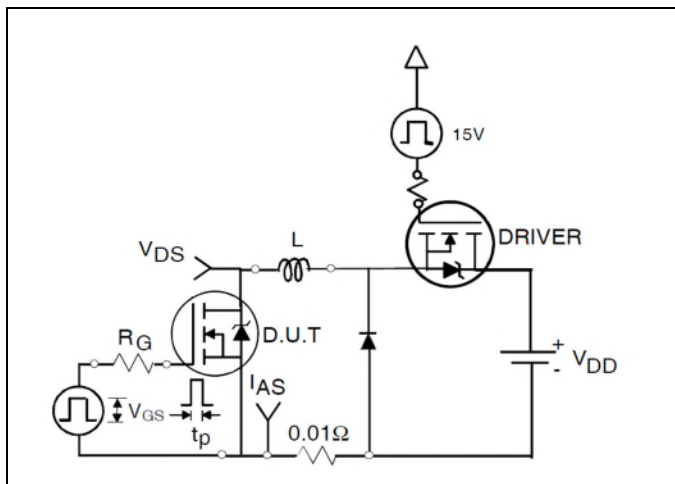


Figure 19 Unclamped Inductive Test Circuit

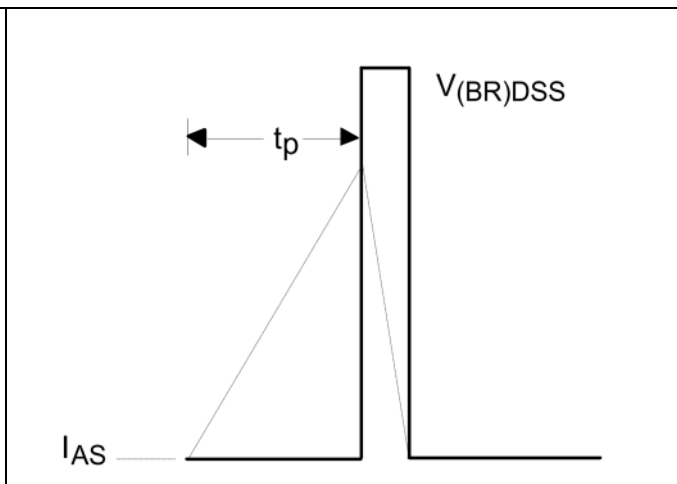


Figure 20 Unclamped Inductive Waveform

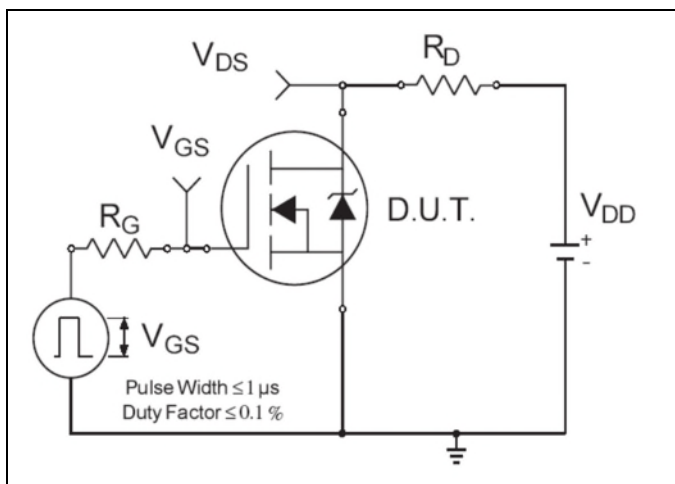


Figure 21 Switching Time Test Circuit

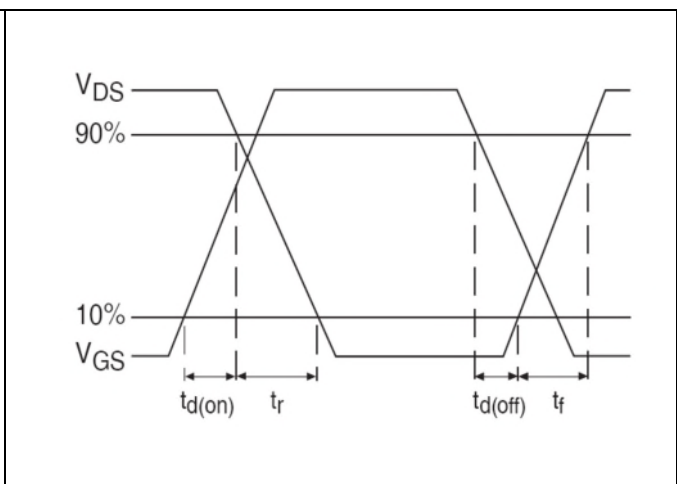


Figure 22 Switching Time Waveforms

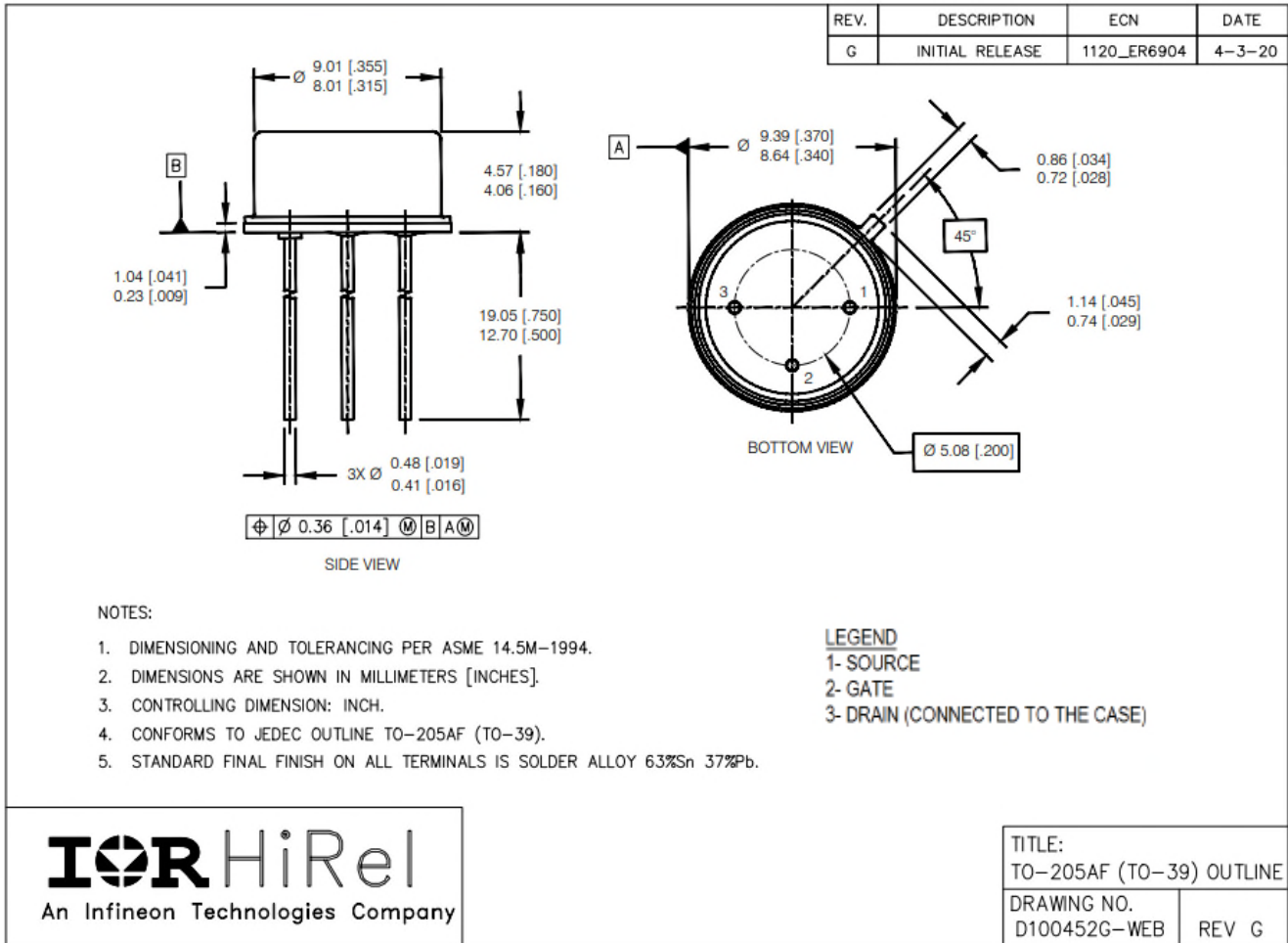
IRHLF7S7214 (2N7610T2)

Radiation Hardened Logic Level Power MOSFET Thru-Hole (TO-39)

Package Outline

5 Package Outline

Note: For the most updated package outline, please see the website: [TO-39](#)



Revision history

Document version	Date of release	Description of changes
	02/24/2016	Datasheet (PD-97833)
Rev A	12/04/2018	Updated based on ECN-1120-06255
Rev B	10/23/2020	Updated based on ECN-1120-08221
Rev C	04/27/2021	Updated based on ECN-1120-08546
Rev D	01/06/2023	Updated based on ECN-1120-09176

Trademarks

All referenced product or service names and trademarks are the property of their respective owners.

Edition 2023-01-06

Published by

**International Rectifier HiRel Products,
Inc.**

**An Infineon Technologies company
El Segundo, California 90245 USA**

**© 2023 Infineon Technologies AG.
All Rights Reserved.**

**Do you have a question about this
document?**

Email: erratum@infineon.com

Document reference

IMPORTANT NOTICE

The information given in this document shall in no event be regarded as a guarantee of conditions or characteristics ("Beschaffheitsgarantie").

With respect to any examples, hints or any typical values stated herein and/or any information regarding the application of the product, Infineon Technologies hereby disclaims any and all warranties and liabilities of any kind, including without limitation warranties of non-infringement of intellectual property rights of any third party.

In addition, any information given in this document is subject to customer's compliance with its obligations stated in this document and any applicable legal requirements, norms and standards concerning customer's products and any use of the product of Infineon Technologies in customer's applications.

The data contained in this document is exclusively intended for technically trained staff. It is the responsibility of customer's technical departments to evaluate the suitability of the product for the intended application and the completeness of the product information given in this document with respect to such application.

For further information on the product, technology, delivery terms and conditions and prices please contact your nearest Infineon Technologies office (www.infineon.com).

WARNINGS

Due to technical requirements components may contain dangerous substances. For information on the types in question please contact your nearest International Rectifier HiRel Products, Inc., an Infineon Technologies company, office.

International Rectifier HiRel Components may only be used in life-support devices or systems with the expressed written approval of International Rectifier HiRel Products, Inc., an Infineon Technologies company, if failure of such components can reasonably be expected to cause the failure of that life-support device or system, or to affect the safety and effectiveness of that device or system.

Life support devices or systems are intended to be implanted in the human body, or to support and/or maintain and sustain and/or protect human life. If they fail, it is reasonable to assume that the health of the user or other persons may be endangered.