

## Product Brief

# HybridPACK™ Light

## FS200R07A5E3\_S6

The HybridPACK™ Light is a very compact six-pack module (705V/200A) targeting automotive inverter applications with power levels up to 20kW. The module is based on established solder and screw interconnections known from HybridPACK™ 1. Improved stray inductance and blocking voltage offer lowest conduction and switching losses especially at inverter maximum ratings.

The HybridPACK™ power module family is optimized for hybrid and electric vehicles. The modules are based on Infineon's long-term experience developing IGBT power modules and Trench-Field-Stop IGBTs including matching diodes with enhanced softness. Intense research efforts of new material combinations and assembly technologies enable leading thermal and electrical performance at highest reliability and mechanical robustness.

### Applications

- Main inverter and generator for hybrid and electric vehicles up to 20kW
- Generator inverter for range extenders

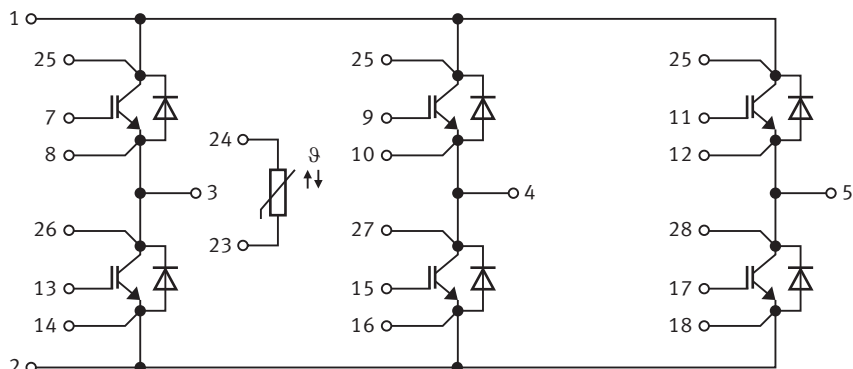
### Key Features

- 705V Trench-Field-Stop IGBT with matching emitter controlled diodes
- 35% smaller size (ref. HP1)
- 25% lower stray inductance (ref. HP1)

### Key Benefits

- Extended inverter maximum ratings
- Very compact and cost efficient inverter designs
- Easy replacement of HP1 200A possible

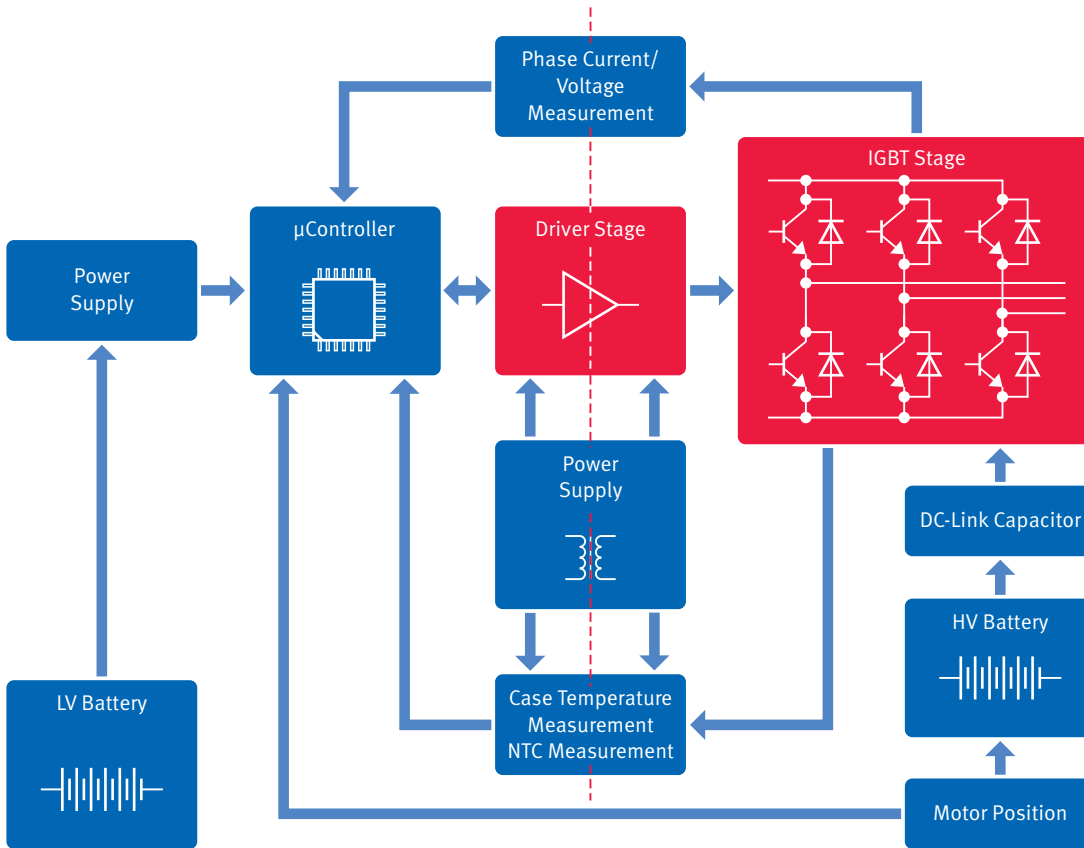
### Circuit Diagram



# HybridPACK™ Light

FS200R07A5E3\_S6

## Application Block Diagram



Application example for a main inverter application

## Product Summary

Type	Description	Ordering Code	Product Status
FS200R07A5E3_S6	HybridPACK™ Light	SP001150884	In development

Published by  
Infineon Technologies AG  
85579 Neubiberg, Germany

© 2014 Infineon Technologies AG.  
All Rights Reserved.

Visit us:  
[www.infineon.com](http://www.infineon.com)

Order Number: B136-H9904-X-X-7600  
Date: 05 / 2014

### Attention please!

The information given in this document shall in no event be regarded as a guarantee of conditions or characteristics ("Beschaffheitsgarantie"). With respect to any examples or hints given herein, any typical values stated herein and/or any information regarding the application of the device, Infineon Technologies hereby disclaims any and all warranties and liabilities of any kind, including without limitation warranties of non-infringement of intellectual property rights of any third party.

### Information

For further information on technology, delivery terms and conditions and prices please contact your nearest Infineon Technologies Office ([www.infineon.com](http://www.infineon.com)).

### Warnings

Due to technical requirements components may contain dangerous substances. For information on the types in question please contact your nearest Infineon Technologies Office. Infineon Technologies Components may only be used in life-support devices or systems with the express written approval of Infineon Technologies, if a failure of such components can reasonably be expected to cause the failure of that life-support device or system, or to affect the safety or effectiveness of that device or system. Life support devices or systems are intended to be implanted in the human body, or to support and/or maintain and sustain and/or protect human life. If they fail, it is reasonable to assume that the health of the user or other persons may be endangered.