



## Product brief

# High-current PROFET™

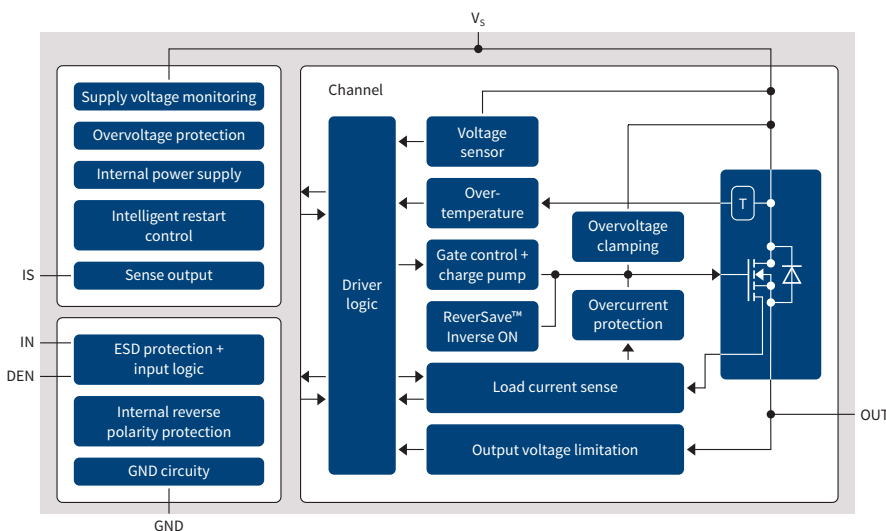
Benchmark low-ohmic smart switches for automotive heating and power distribution

The new high-current PROFET™ high-side smart switch family is designed to drive currents up to 20 A DC in 12 V automotive applications. With a  $R_{DS(on)}$  range from 2 mΩ to 8 mΩ, the devices come in very small footprint package TSDSO-14, offering pin-compatibility across the whole family. The benchmark power density supports the trend towards low ohmic designs to reduce overall system power consumption in order to meet CO<sub>2</sub> emission reduction targets.

A shared feature set and functionality that scales with the  $R_{DS(on)}$  of each device provides a broad design flexibility and enables cost optimized system solutions. High-current PROFET™ handle high inrush currents, have best-in-class current sense accuracy and support PWM, being suitable to control a wide span of high current loads. A switching cycle capability > 1 million cycles addresses the reliability requirements of “start-stop” systems. Best-in-class diagnosis and protection features such as short circuit or overtemperature protection are integrated.

Typical target applications are heating loads such as seat heaters, PTC heaters, glow plugs, rear defoggers or windshield deicers and also inductive and capacitive loads such as DC motors, starter relays, horns, pumps or fans found in body control modules and relay boxes.

### Block diagram



### Key features

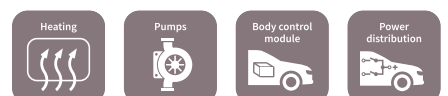
- > High-side switch family 2 to 8 mΩ
- > Pin-compatible TSDSO packages
- > Nominal op. voltage 4.1 V to 28 V
- > Min. op. voltage 3.1 V (cranking)
- > Inrush current up to > 120 A
- > Built-in diagnosis and protection
- > ±5% current sense accuracy (cal.)
- > Overcurrent protection with latch
- > Overtemperature protection
- > Reversave™ protection

### Key benefits

- > Small footprint with high power density enables miniaturization
- > Reduce cost for cooling and improve system power efficiency
- > High switching reliability (> 1 M cycles) and robustness for power distribution architectures

### Key applications

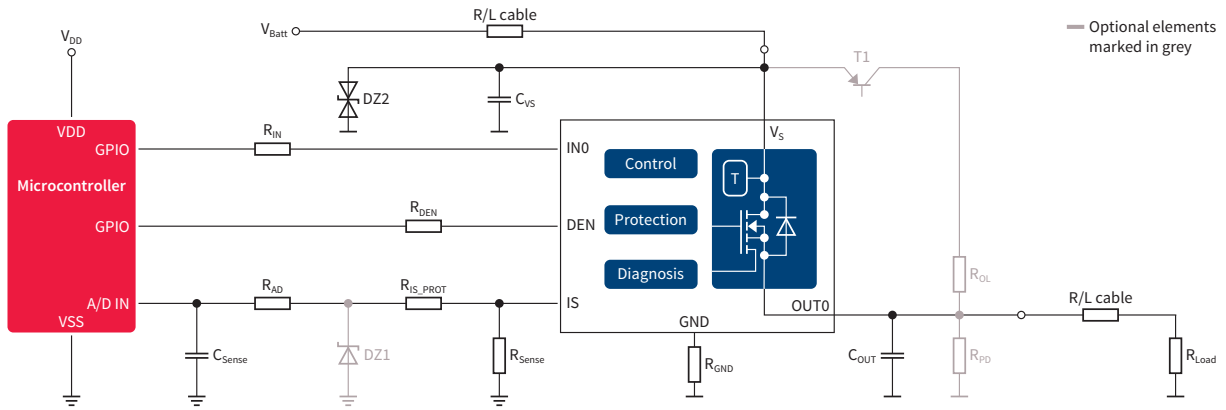
- > Seat heating
- > PTC heaters
- > Rear defoggers, windshield deicer
- > Starter relay, pumps and fans
- > Relay and fuse replacement
- > Power distribution centers, body control modules and relay boxes



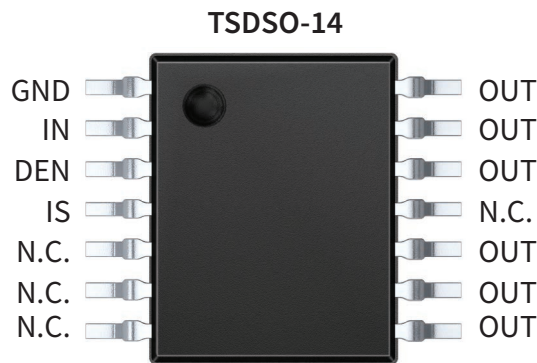
# High-current PROFET™

Benchmark low-ohmic smart switches for automotive heating and power distribution

## Application diagram



## Pin-out



## Product table

Type	$R_{DS(on)}$ (typ) @ $T_j = 25^\circ\text{C}$ [mΩ]	$I_{L(NOM)}$ (typ) [A]	$I_{L(SC)}$ (min) [A]	Nominal operating voltage [V]	Extended operating voltage [V]	Ordering code	Package
BTS7002-1EPP <sup>1)</sup>	2	20	107	4.1 ... 28	3.1 ... 28	SP001605424	TSDSO-14
BTS7004-1EPP	4	15	88	4.1 ... 28	3.1 ... 28	SP001403858	TSDSO-14
BTS7006-1EPP <sup>1)</sup>	6	13	79	4.1 ... 28	3.1 ... 28	SP001605428	TSDSO-14
BTS7008-1EPP <sup>1)</sup>	8	11	64	4.1 ... 28	3.1 ... 28	SP001605432	TSDSO-14

1) In development. ES available

Published by  
Infineon Technologies AG  
81726 Munich, Germany

© 2018 Infineon Technologies AG.  
All Rights Reserved.

### Please note!

THIS DOCUMENT IS FOR INFORMATION PURPOSES ONLY AND ANY INFORMATION GIVEN HEREIN SHALL IN NO EVENT BE REGARDED AS A WARRANTY, GUARANTEE OR DESCRIPTION OF ANY FUNCTIONALITY, CONDITIONS AND/OR QUALITY OF OUR PRODUCTS OR ANY SUITABILITY FOR A PARTICULAR PURPOSE. WITH REGARD TO THE TECHNICAL SPECIFICATIONS OF OUR PRODUCTS, WE KINDLY ASK YOU TO REFER TO THE RELEVANT PRODUCT DATA SHEETS PROVIDED BY US. OUR CUSTOMERS AND THEIR TECHNICAL DEPARTMENTS ARE REQUIRED TO EVALUATE THE SUITABILITY OF OUR PRODUCTS FOR THE INTENDED APPLICATION.

WE RESERVE THE RIGHT TO CHANGE THIS DOCUMENT AND/OR THE INFORMATION GIVEN HEREIN AT ANY TIME.

### Additional information

For further information on technologies, our products, the application of our products, delivery terms and conditions and/or prices, please contact your nearest Infineon Technologies office ([www.infineon.com](http://www.infineon.com)).

### Warnings

Due to technical requirements, our products may contain dangerous substances. For information on the types in question, please contact your nearest Infineon Technologies office.

Except as otherwise explicitly approved by us in a written document signed by authorized representatives of Infineon Technologies, our products may not be used in any life-endangering applications, including but not limited to medical, nuclear, military, life-critical or any other applications where a failure of the product or any consequences of the use thereof can result in personal injury.