

Analog control kit

KIT_600W_LLC_AN_CTRL

From **digital** to **analog** control

for EVAL_600W_12V_LLC evaluation boards

Di Domenico Francesco (IFAT PMM ACDC AE)
Zechner Florian (IFAT PMM ACDC AE)



Analog control kit KIT_600W_LLC_AN_CTRL for EVAL_600W_12V_LLC



**Ordering code:
KIT_600W_LLC_AN_CTRL**

This adapter kit is intended for use when replacing a digital control card with its analog alternative. The kit offers as a replacement option Infineon's LLC resonant mode controller ICE2HS01G.

Board components

- > LLC Resonant mode controller ICE2HS01G

To be used with the following boards

- > [EVAL_600W_12V_LLC_C7](#)
- > [EVAL_600W_12V_LLC_P7](#)

Product features

ICE2HS01G

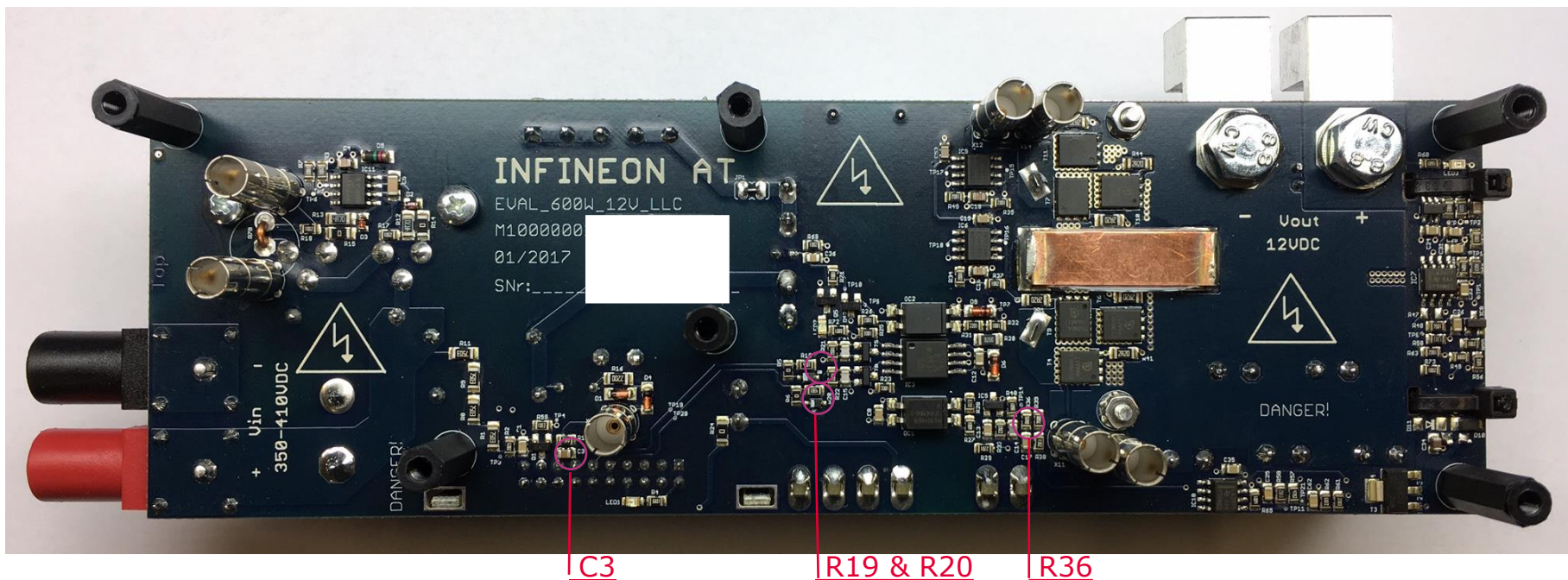
- › Resonant mode controller for half-bridge LLC resonant converter with synchronous rectification drives
- › 20pin DSO package
- › 30 kHz to 1 MHz switching frequency
- › Adjustable minimum switching frequency with high accuracy
- › 50% duty cycle for both primary and secondary gate drives
- › Adjustable dead time with high accuracy
- › Driving signal for synchronous rectification, which supports full operation of half-bridge LLC resonant converter
- › Internal and external disable function for synchronous rectification
- › Mains input under voltage protection with adjustable hysteresis
- › Three levels of overcurrent protection for enhanced dynamic performance
- › Open-loop/over load protection with adjustable blanking time and restart time
- › Adjustable over-temperature protection with latch-off
- › External latch-off enable pin



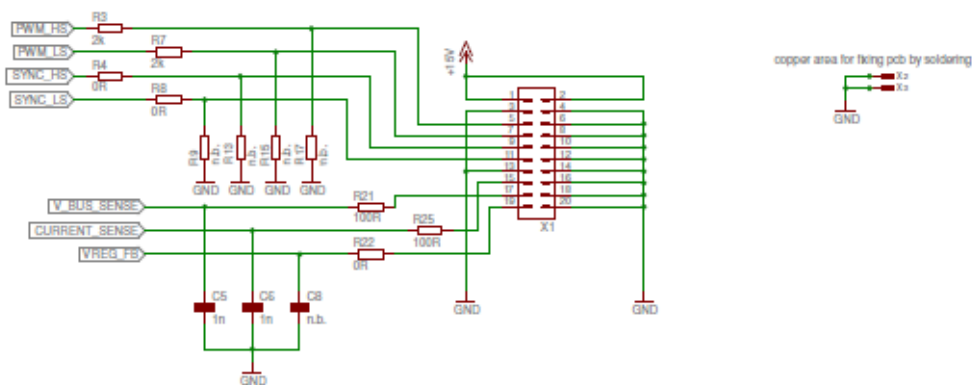
Bill of material (rework on mainboard)

Part	Value	Pieces	Tolerance	Device	Assembling info.	Manufacturer
C3	470n/50V	1		C-EU_C0805*	Replace with 470n/50V	
R19	4K3	1	±1%	R-EU_R0805 *	Replace with 4K3	
R20	4K3	1	±1%	R-EU_R0805 *	Replace with 4K3	
R36	56R	1		R-EU_R0805 *	Assemble 56R	
IC1	Board	1		KIT_600W_LLC_AN_CTRL		Infineon

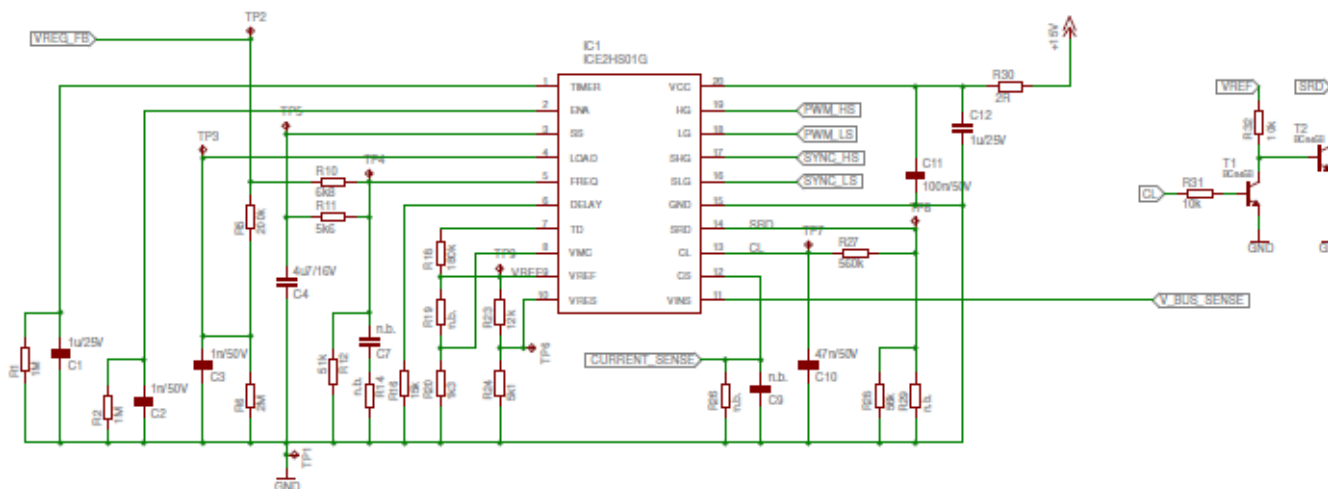
* All needed replacement material is included in the KIT.



Schematic



fiducial marks on top layer



Base board EVAL_600W_12V_LLC_xx showing analog and digital control card



Ordering code:

EVAL_600W_12V_LLC_C7

EVAL_600W_12V_LLC_P7

Infineon's 600 W 12 V LLC boards showcase how to design a half-bridge LLC stage of a server SMPS with the target to meet 80+ Titanium standard efficiency requirements. The **KIT_600W_LLC_AN_CTRL** can be used with any of Infineon's EVAL_600W_12V_LLC Boards, replacing the digital control card.

Application note:

- > [Evaluation Board EVAL_600W_12V_LLC_C7 d with 600V CoolMOS™ C7](#)
- > [Evaluation Board EVAL_600W_12V_LLC_P7 with 600V CoolMOS™ P7](#)

www.infineon.com/600W-LLC-eval



Technical Material

- > Application Notes
- > Simulation Models
- > Datasheets
- > PCB Design Data

> www.infineon.com/600W-LLC-eval

Evaluation Boards

- > Evaluation Boards
- > Demoboards
- > Reference Designs

> www.infineon.com/evaluationboards

Videos

- > Technical Videos
- > Product Information Videos

> www.infineon.com/mediacenter

Support Online tools and services



1 Newsletter 2 Where to Buy English Login

3 Tools

Products Applications Tools About Infineon Careers

Search

Lighting

New LED controller enables low-wattage luminaire designs
August 26th 17:00 CEST

Register Now! >

- 1 **Subscribe to Newsletter**
- 2 **Where to Buy**
- 3 **Tools, Finders and Selectors**
- 4 **Support**

- Products
 - Applications
 - Tools
 - 4 **Support**
 - Technology
- Power
 - Automotive System IC
 - ESD & EMI
 - Microcontroller
 - RF & Wireless Control
 - Security IC
 - Sensor
 - Smart Card IC
 - Interface
 - Transistor & Diode
- Power Overview
 - Power MOSFET
 - IGBT
 - Smart Low-Side & High-Side Switches
 - Linear Voltage Regulator
 - DC-DC Converter
 - LED Driver | Lighting ICs
 - Silicon Carbide (SiC)
 - High Power Thyristors & Diodes
 - Motor Control & Gate Driver
 - AC-DC Supply

News & Tweets



Part of your life. Part of tomorrow.

