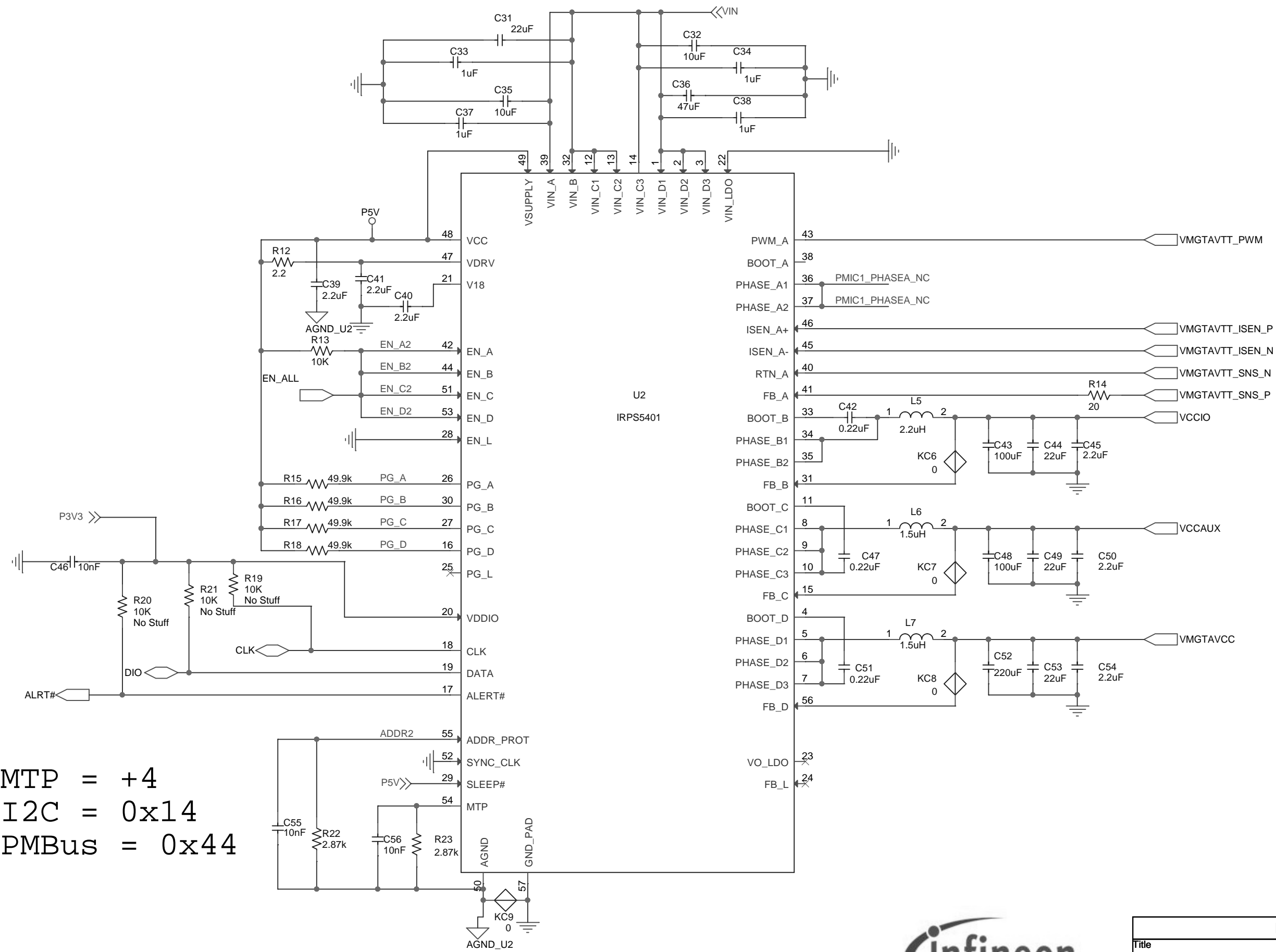
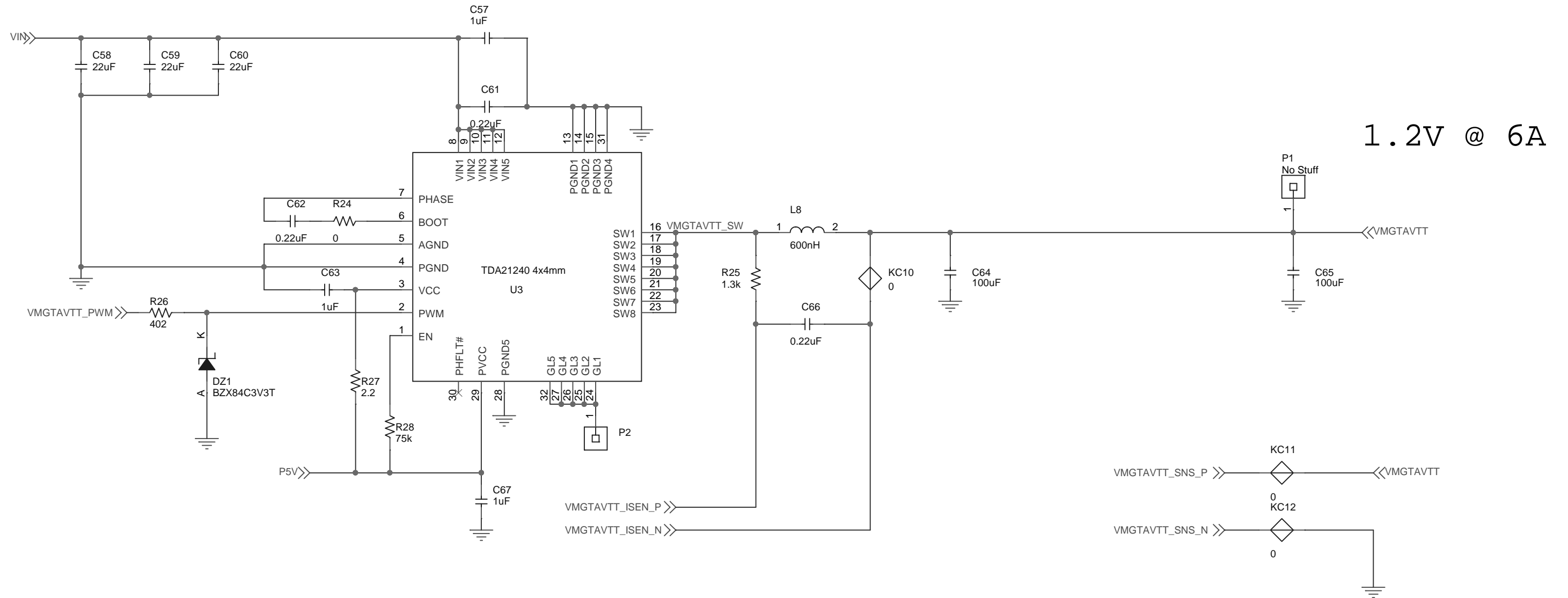


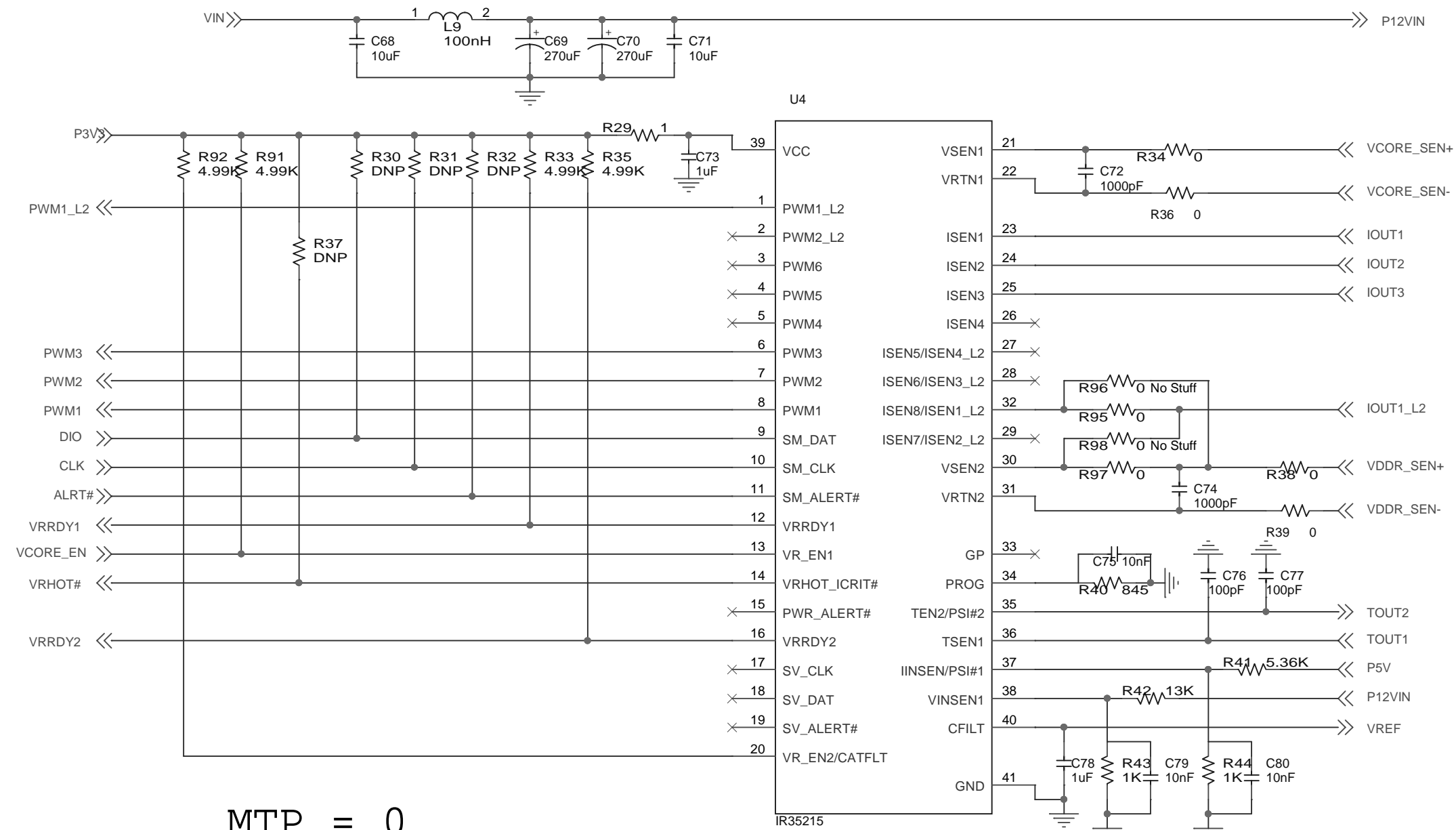
MTP = +4  
 I2C = 0x14  
 PMBus = 0x44



Title		
DEMO BOARD		
VERSAL_VM1802_UC1		
Size	Document Number	Rev
<b>B</b>	SCH_EV121-C	<b>E1</b>
Date:	Wednesday, April 17, 2019	Sheet 1 of 8



DEMO BOARD		
Title VERSAL_VM1802_UC1		
Size <b>B</b>	Document Number <b>SCH_EV121-C</b>	Rev <b>E1</b>
Date:	Wednesday, April 24, 2019	Sheet 2 of 8

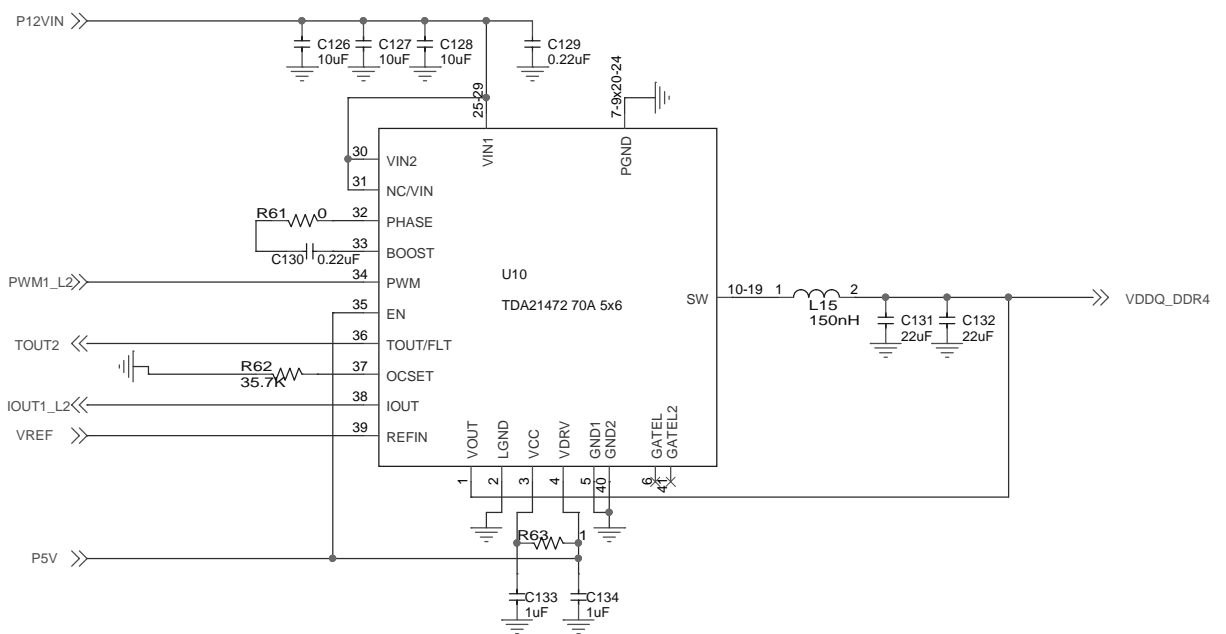
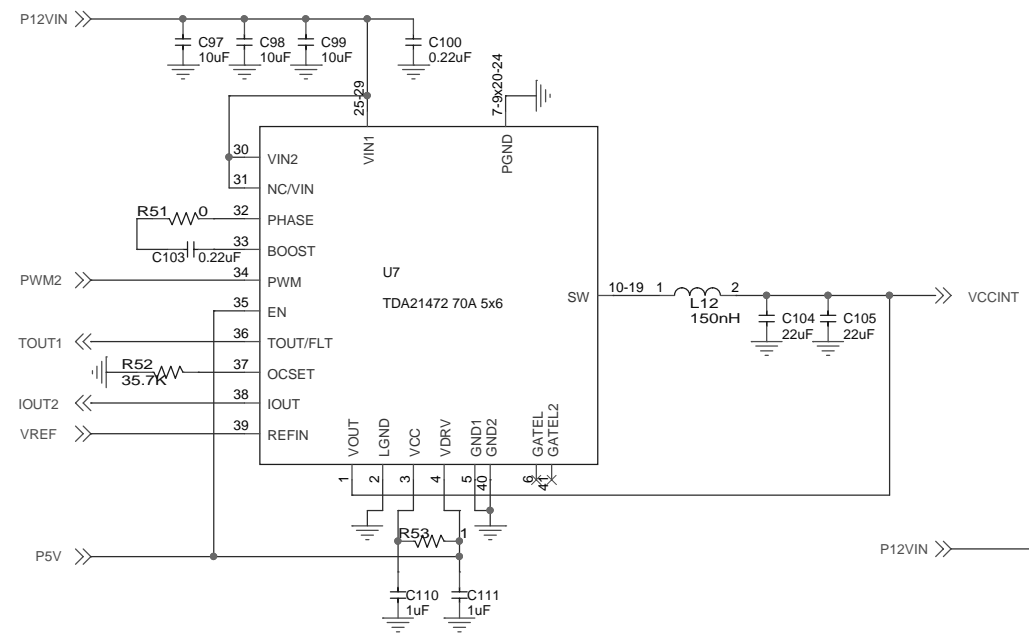
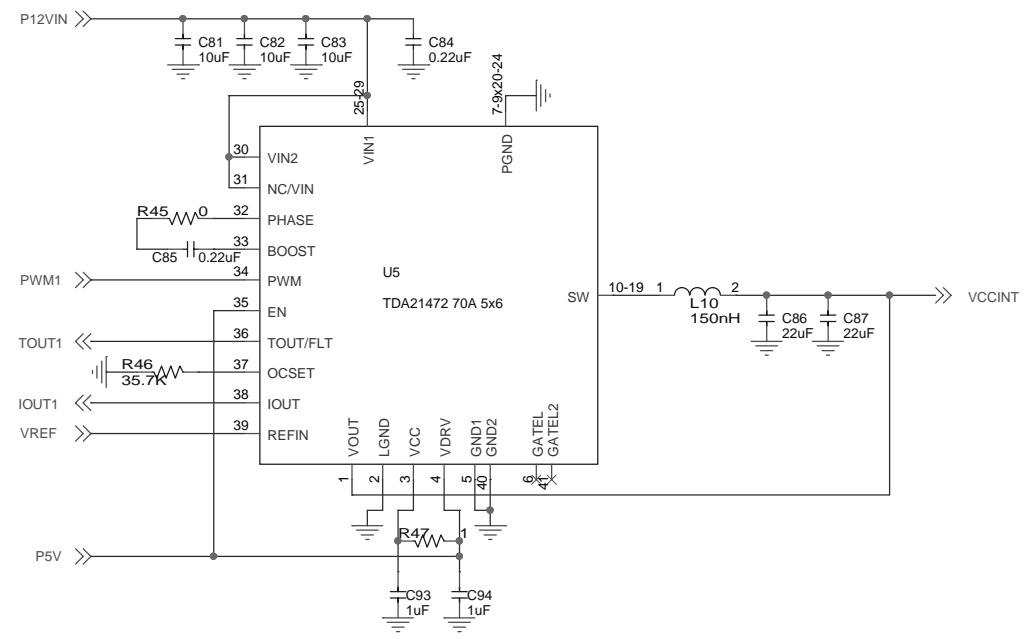


MTP = 0  
 I2C = 0x10  
 PMBus = 0x40

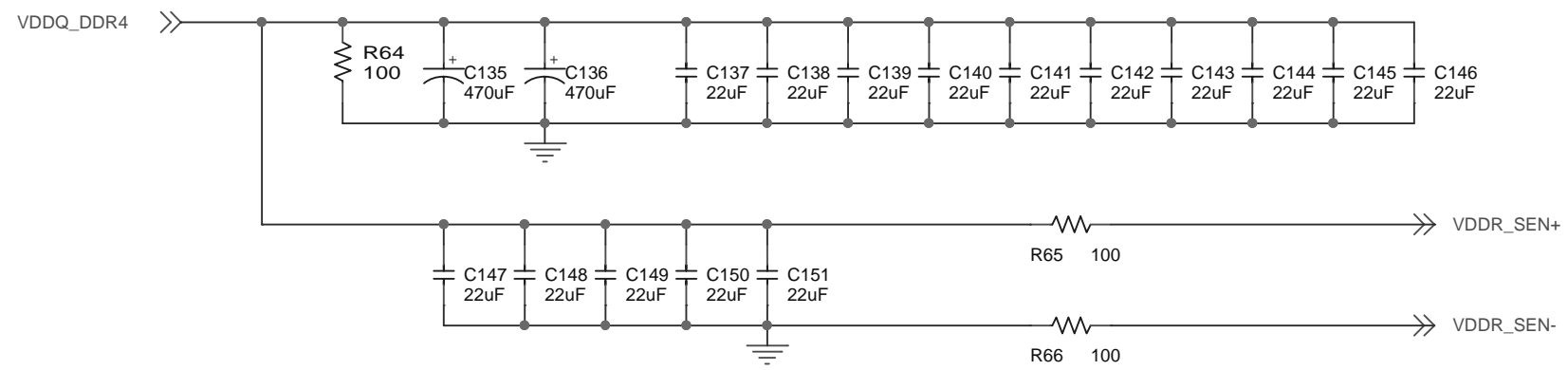
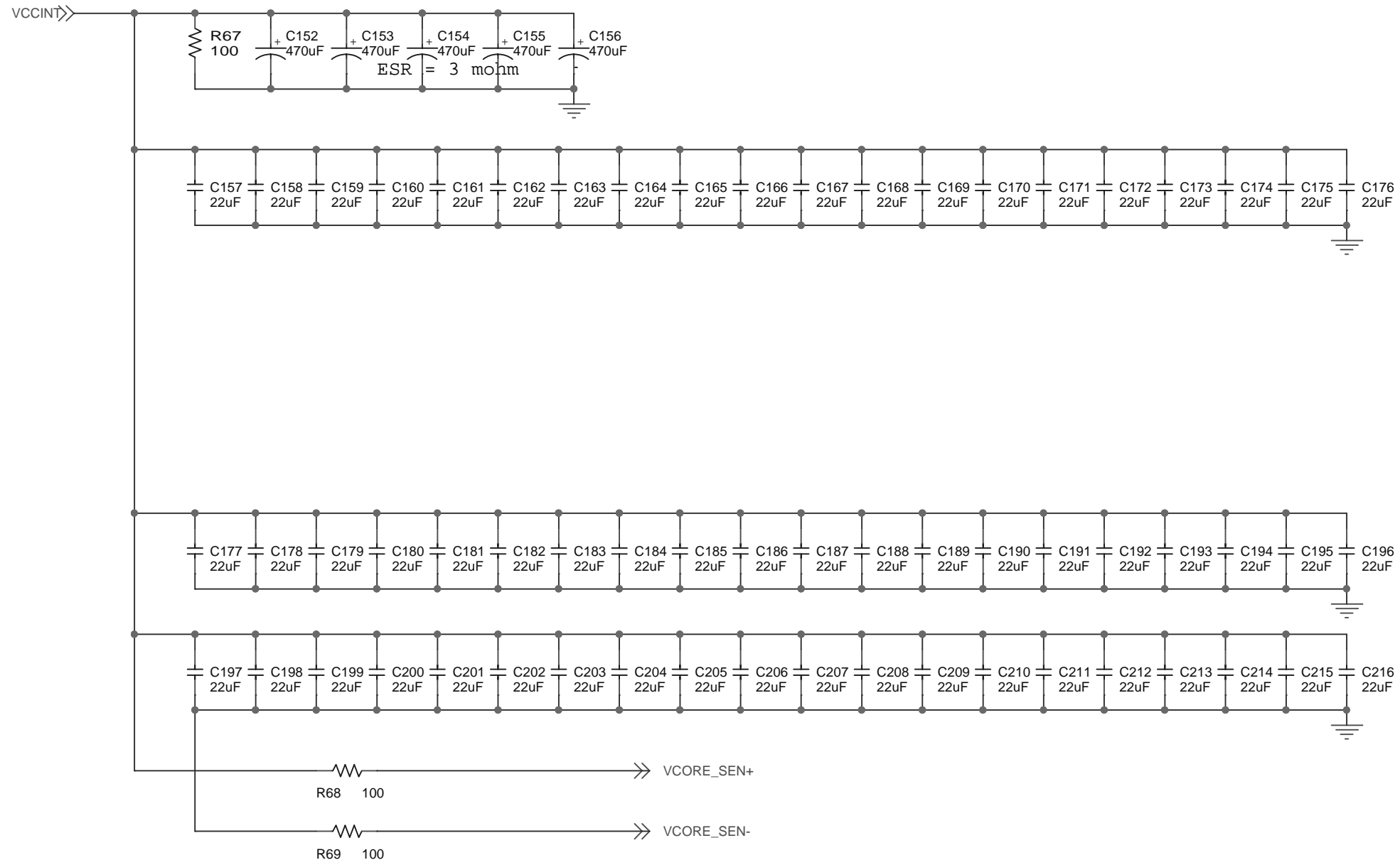
	R97	R96	R98	R95	R40	C72	C74	C75
<b>IR35215</b>	0 Ohm	No Stuff	No Stuff	0 Ohm	845	1000pF	1000pF	10nF
<b>XDPE1228x</b>	No Stuff	0 Ohm	0 Ohm	No Stuff	10.2k	220pF	220pF	No Stuff



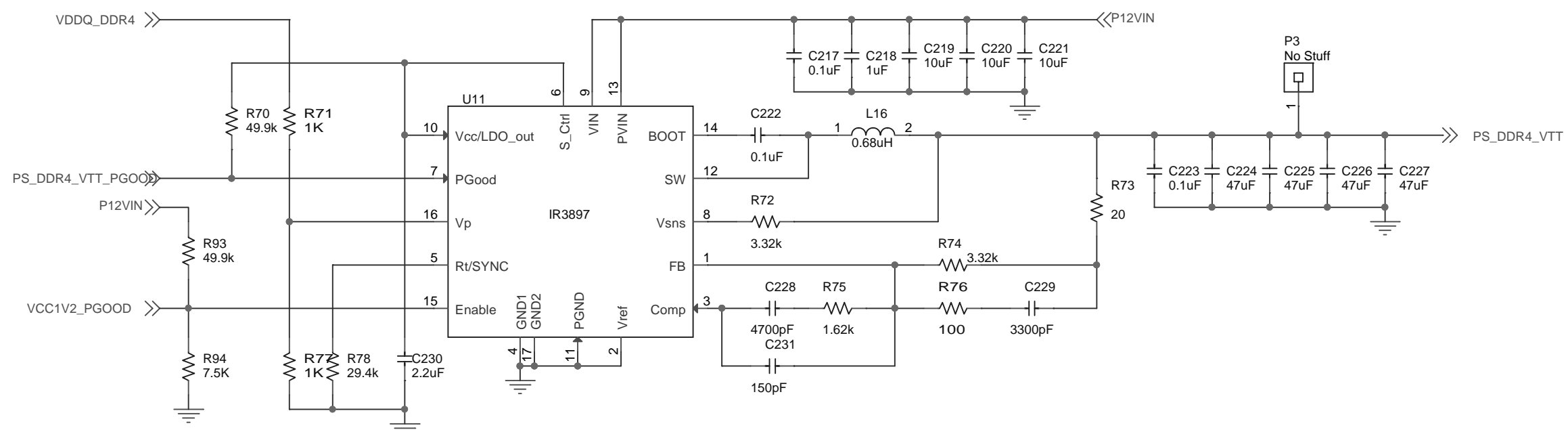
Title			DEMO BOARD		
Title			VERSAL_VM1802_UC1		
Size	Document Number		Rev		
<b>B</b>	<b>SCH_EV121-C</b>		<b>E1</b>		
Date:	Thursday, April 25, 2019		Sheet	3	of 8



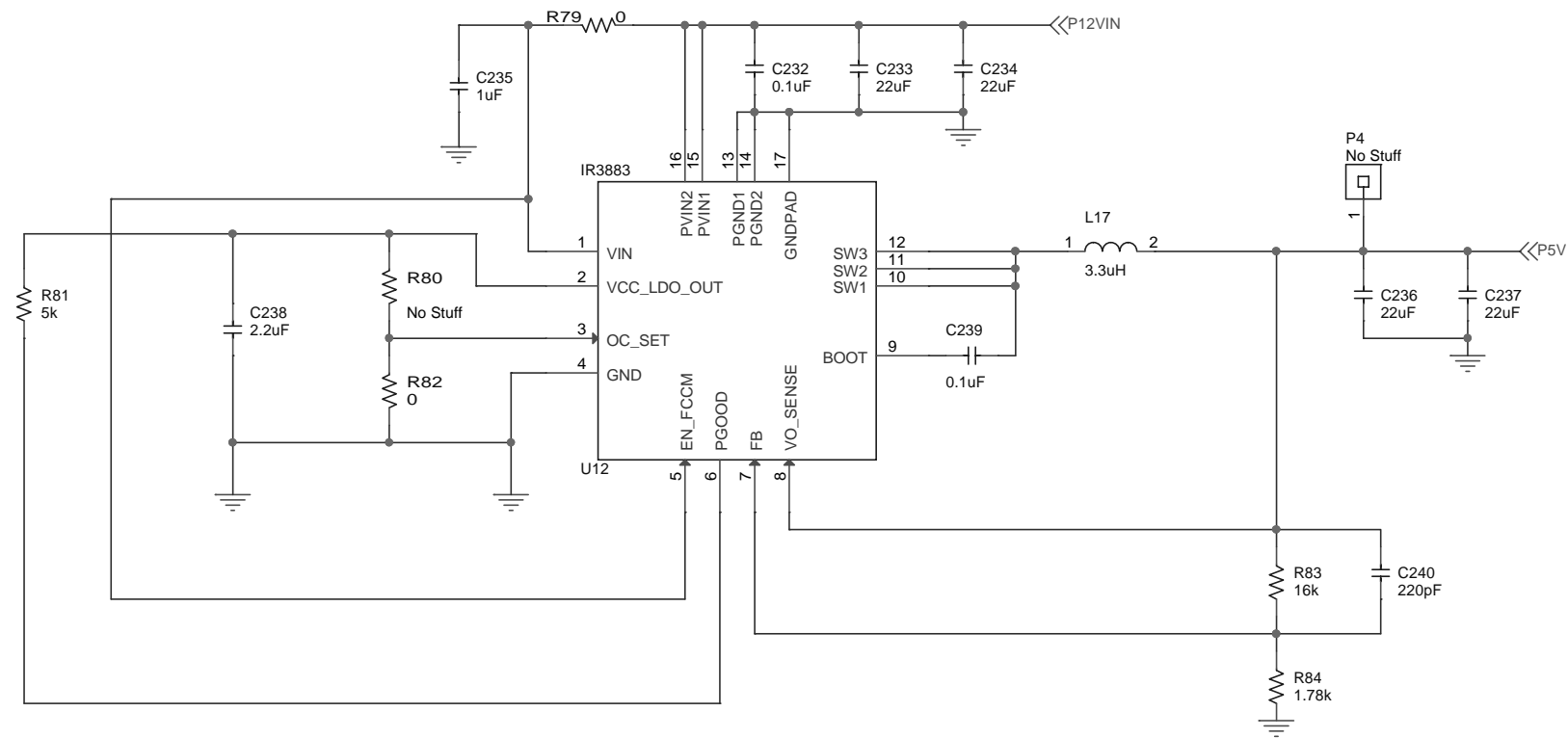
DEMO BOARD			
Title VERSAL_VM1802_UC1			
Size	Document Number	Rev	
Custom	SCH_EV121-C	E1	
Date:	Wednesday, April 17, 2019	Sheet	4 of 8



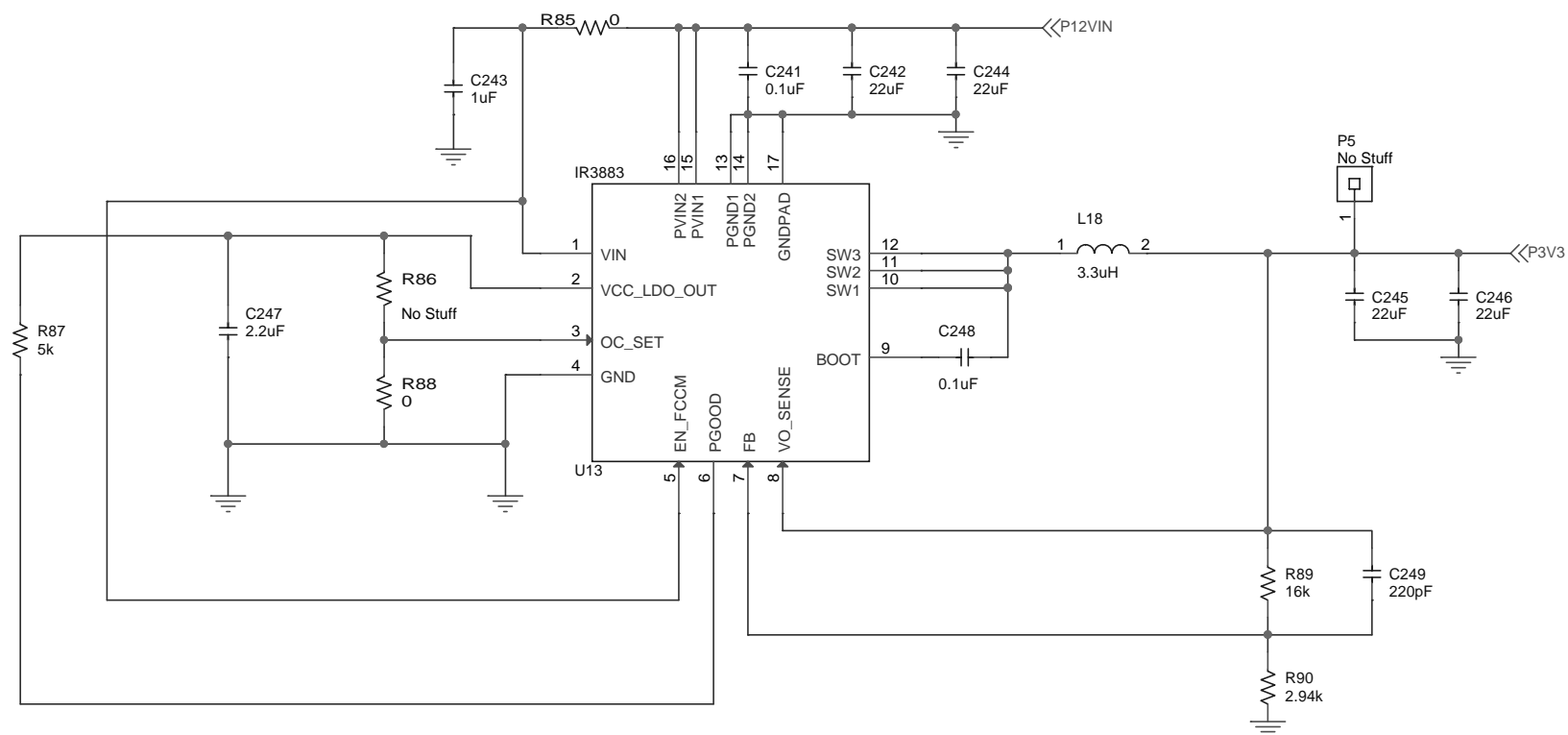
Title			DEMO BOARD		
Title			VERSAL_VM1802_UC1		
Size	Document Number		Rev		
<b>B</b>	<b>SCH_EV121-C</b>		<b>E1</b>		
Date:	Wednesday, April 17, 2019	Sheet	5	of	8



Title			DEMO BOARD		
Title			VERSAL_VM1802_UC1		
Size	Document Number	Rev			
<b>B</b>	<b>SCH_EV121-C</b>	<b>E1</b>			
Date:	Wednesday, April 17, 2019	Sheet	6	of	8



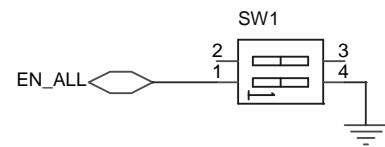
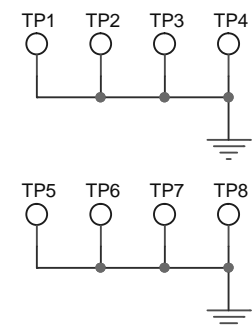
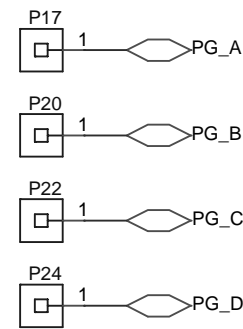
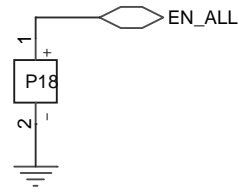
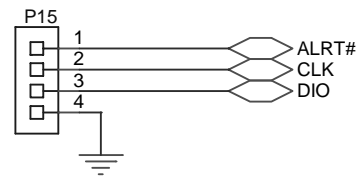
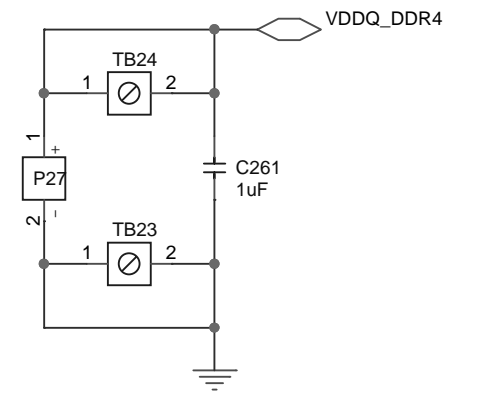
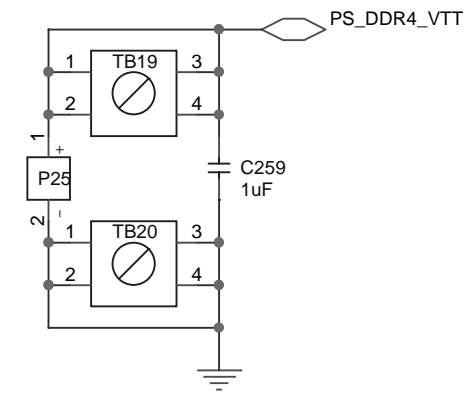
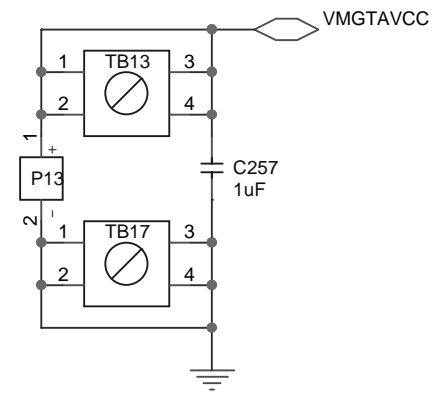
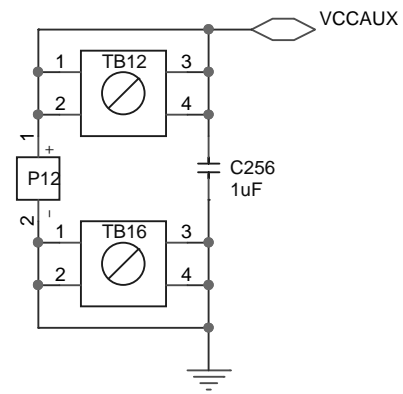
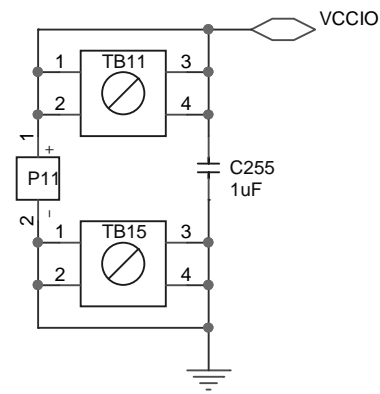
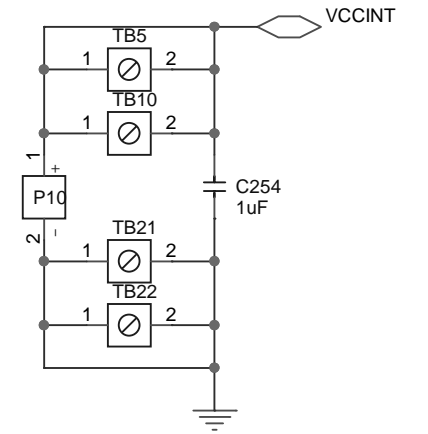
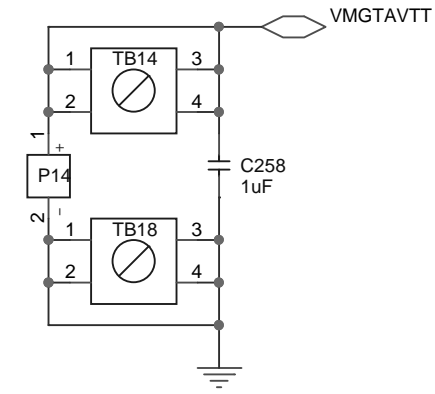
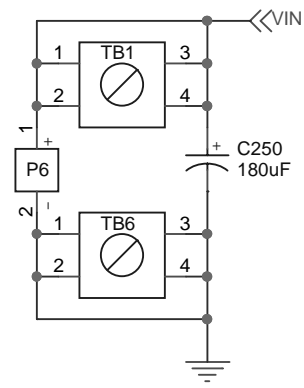
5.0V @ 3A



3.3V @ 3A



Title			DEMO BOARD		
Document Number			VERSAL_VM1802_UC1		
Size	Document Number	Rev			
Custom	SCH_EV121-C	E1			
Date:	Wednesday, April 17, 2019	Sheet	7	of	8



Title		
DEMO BOARD		
VERSAL_VM1802_UC1		
Size	Document Number	Rev
<b>B</b>	<b>SCH_EV121-C</b>	<b>E1</b>
Date:	Wednesday, April 17, 2019	Sheet 8 of 8